

# Tool Extensions • Extensiones de herramienta



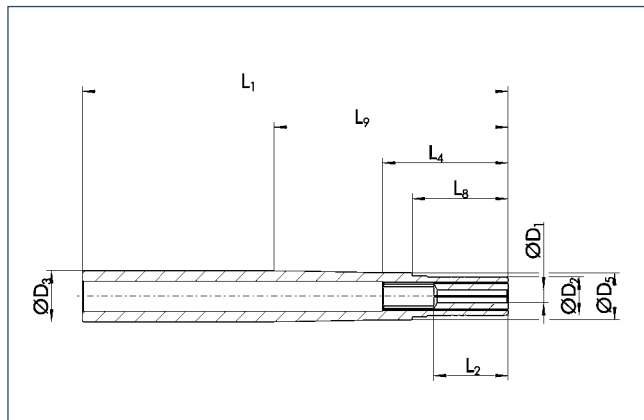
# TOOL EXTENSIONS EXTENSIONES DE HERRAMIENTA

Tool extensions Extensiones de herramienta	Page/Página
TRIBOS	260
CELSIO	270

Ext.

### TRIBOS-Mini SVL-4"-1/2"

works perfectly when combined with our TENDO or TRIBOS toolholders



### TRIBOS-Mini SVL-4"-1/2"

trabajo perfecto en combinación con nuestros portaherramientas TENDO o TRIBOS



#### Technical data

D <sub>1</sub> [inch]	ID		D <sub>2</sub> [mm]	D <sub>3</sub> [inch]	D <sub>5</sub> [mm]	L <sub>1</sub> [inch]	L <sub>2</sub> * [mm]	L <sub>4</sub> [mm]	L <sub>8</sub> [mm]	L <sub>9</sub> [mm]	M <sub>min</sub> [Nm]	m [kg]	SRE ID
1/8"	25001518	•	9.0	1/2"	10.0	4"	17.5	29.5	22.5	55.0		0.08	0201971
3/16"	25001296	•	9.0	1/2"	10.0	4"	17.5	29.5	22.5	55.0		0.08	0201971

#### Datos técnicos

• Can be supplied from stock

🔧 Design suitable for MQL operations available on request

📄 Additional sizes and special designs available on request

• Posible suministro de existencias

🔧 Diseño apto para operaciones MQL disponible a pedido

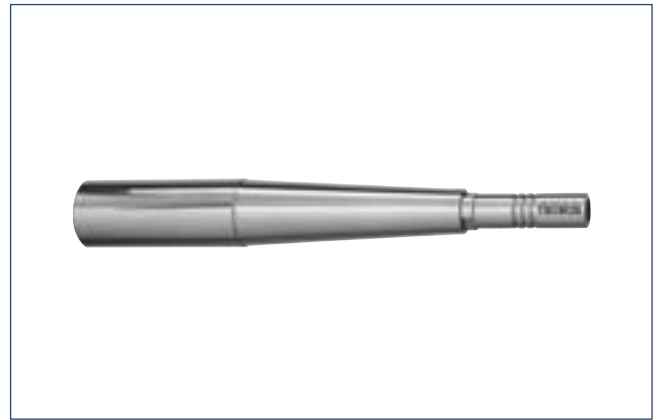
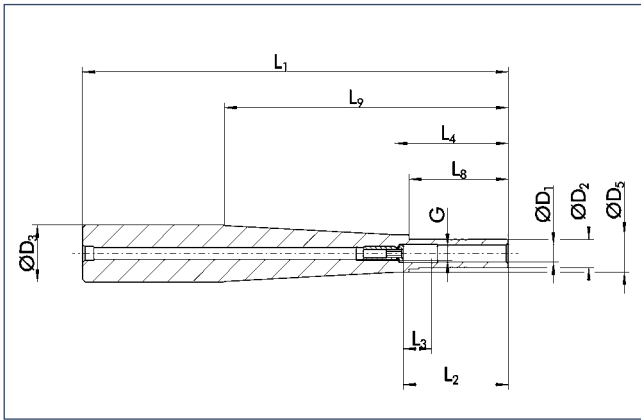
📄 Tamaños adicionales y diseños especiales disponibles a pedido

**TRIBOS SVL-4"-3/4"**

works perfectly when combined with our TENDO or TRIBOS toolholders

**TRIBOS SVL-4"-3/4"**

trabajo perfecto en combinación con nuestros portaherramientas TENDO o TRIBOS



<math>< 0.003 \text{ mm}</math>



85000 min<sup>-1</sup>



G 2.5



**Technical data**

**Datos técnicos**

D <sub>1</sub> [inch]	ID		D <sub>2</sub> [mm]	D <sub>3</sub> [inch]	D <sub>5</sub> [mm]	L <sub>1</sub> [inch]	L <sub>2</sub> * [mm]	L <sub>3</sub> [mm]	L <sub>4</sub> [mm]	L <sub>8</sub> [mm]	L <sub>9</sub> [mm]	G	M <sub>min</sub> [Nm]	m [kg]	SRE ID
1/4"	0205990	•	10.3	3/4"	13.1	4"	37.0	10.0	40.0	35.0	49.0	M5	6.0	0.18	0201988
5/16"	0205991	•	13.0	3/4"	15.1	4"	37.0	10.0	40.0	35.0	49.0	M6	12.0	0.19	0201973
3/8"	0205992	•	15.0	3/4"	17.1	4"	42.0	10.0	45.0	40.0	49.0	M6	20.0	0.19	0201989
1/2"	0205994	•	20.0	3/4"	22.1	4"	47.0	10.0	49.1	45.0		M8x1	40.0	0.19	0201991

• Can be supplied from stock

☑ Design suitable for MQL operations available on request

ℹ The 250 mm-version can be shortened up to 200 mm  
Also available in heavy metal

• Posible suministro de existencias

☑ Diseño apto para operaciones MQL disponible a pedido

ℹ La versión de 250 mm se puede acortar hasta 200 mm  
También disponible en metal pesado

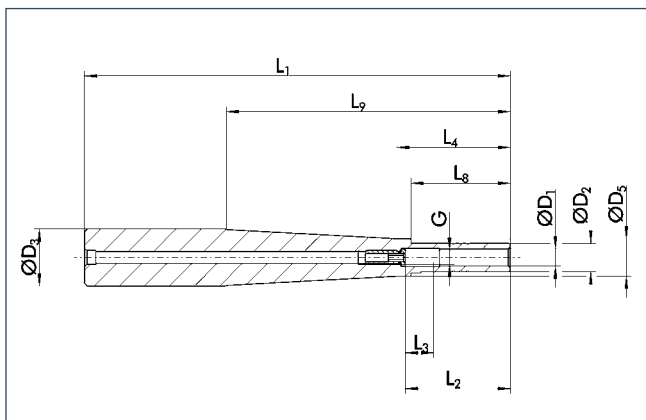
Ext.

### TRIBOS SVL-6"-3/4"

works perfectly when combined with our TENDO or TRIBOS toolholders

### TRIBOS SVL-6"-3/4"

trabajo perfecto en combinación con nuestros portaherramientas TENDO o TRIBOS



< 0.003 mm



85000 min<sup>-1</sup>



25000 min<sup>-1</sup>



#### Technical data

#### Datos técnicos

D <sub>1</sub> [inch]	ID		D <sub>2</sub> [mm]	D <sub>3</sub> [inch]	D <sub>5</sub> [mm]	L <sub>1</sub> [inch]	L <sub>2</sub> * [mm]	L <sub>3</sub> [mm]	L <sub>4</sub> [mm]	L <sub>8</sub> [mm]	L <sub>9</sub> [mm]	G	M <sub>min</sub> [Nm]	m [kg]	SRE ID
1/4"	0205940	•	10.3	3/4"	13.1	6"	37.0	10.0	40.0	35.0	100.0	M5	6.0	0.26	0201988
5/16"	0205941	•	13.0	3/4"	15.1	6"	37.0	10.0	40.0	35.0	100.0	M6	12.0	0.27	0201973
3/8"	0205942	•	15.0	3/4"	17.1	6"	42.0	10.0	45.0	40.0	100.0	M6	20.0	0.29	0201989
7/16"	0205943	•	17.8	3/4"	19.9	6"	42.0	10.0	99.9	40.0		M8x1	25.0	0.2	0201989
1/2"	0205944	•	20.0	3/4"	22.1	6"	47.0	10.0	99.9	45.0		M8x1	40.0	0.31	0201991
5/8"	0205995	•	25.0	3/4"	27.1	6"	48.0	10.0	99.9	45.0		M10x1	70.0	0.33	0201977
3/4"	0205996	•	29.0	3/4"	31.1	6"	52.0	10.0	99.9	45.0		M10x1	120.0	0.35	0201992

• Can be supplied from stock

Design suitable for MQL operations available on request

Additional sizes and special designs available on request

• Posible suministro de existencias

Diseño apto para operaciones MQL disponible a pedido

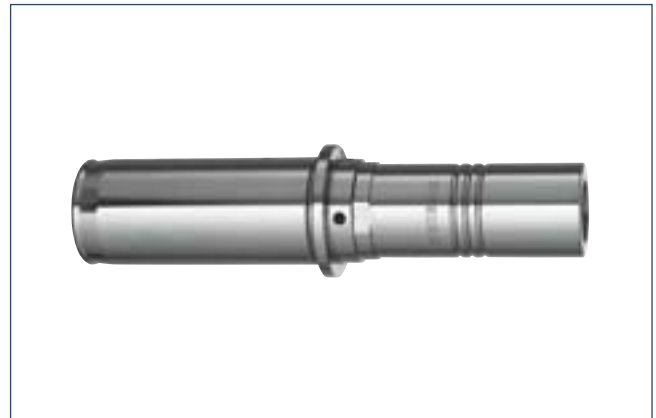
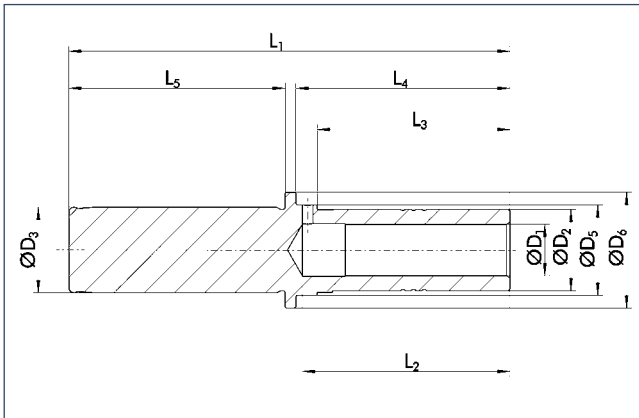
Tamaños adicionales y diseños especiales disponibles a pedido

**TRIBOS SVL with collar**

works perfectly when combined with our TENDO or TRIBOS toolholders for tool grinding

**TRIBOS SVL con collar**

trabajo perfecto en combinación con nuestros portaherramientas TENDO o TRIBOS para el rectificado de herramientas



**Technical data**

**Datos técnicos**

D <sub>1</sub> [inch]	ID	D <sub>2</sub> [mm]	D <sub>3</sub> [inch]	D <sub>5</sub> [mm]	D <sub>6</sub> [mm]	L <sub>1</sub> [mm]	L <sub>2</sub> [mm]	L <sub>3</sub> [mm]	L <sub>4</sub> [mm]	L <sub>5</sub> [mm]	M <sub>min</sub> [Nm]	m [kg]	SRE ID
1/8"	≡												
3/16"	≡												
1/4"	≡												
5/16"	≡												
3/8"	<b>25001569</b>	15.0	1 1/4"	17.1	37.0	98.0	43.5	40.0	45.0	50.5	20.0	0.2	<b>0201989</b>
7/16"	≡												
1/2"	<b>25001568</b>	20.0	1 1/4"	22.1	37.0	103.0	48.5	45.0	50.0	50.5	40.0	0.23	<b>0201991</b>
9/16"	≡												
5/8"	≡												
3/4"	<b>25001567</b>	29.0	1 1/4"	31.1	37.0	110.0	52.9	45.0	57.0	50.5	120.0	0.36	<b>0201992</b>

≡ Additional sizes can be clamped with intermediate sleeves  
 • Can be supplied from stock

☑ Design suitable for MQL operations available on request  
 ☑ Bore for data carrier as an option

ℹ Additional sizes and special designs available on request

≡ Para sujetar con casquillos intermedios  
 • Posible suministro de existencias

☑ Diseño apto para operaciones MQL disponible a pedido  
 ☑ Orificio para portador de datos como opción

ℹ Tamaños adicionales y diseños especiales disponibles a pedido

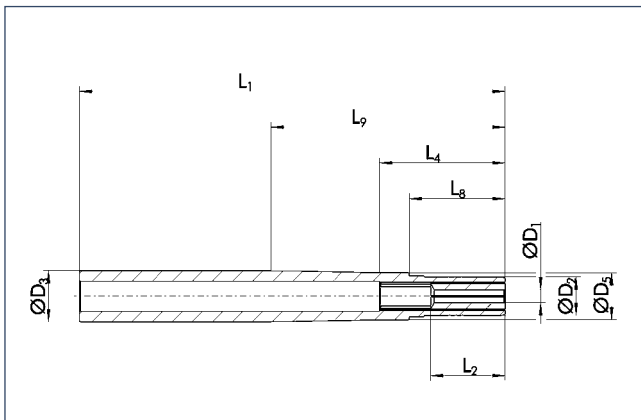
Ext.

### TRIBOS-Mini SVL-100-12

works perfectly when combined with our TENDO or TRIBOS toolholders

### TRIBOS-Mini SVL-100-12

trabajo perfecto en combinación con nuestros portaherramientas TENDO o TRIBOS



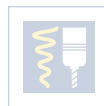
< 0.003 mm



125000 min<sup>-1</sup>



25000 min<sup>-1</sup>



#### Technical data

#### Datos técnicos

D <sub>1</sub> [mm]	ID	D <sub>2</sub> [mm]	D <sub>3</sub> [mm]	D <sub>5</sub> [mm]	L <sub>1</sub> [mm]	L <sub>2</sub> * [mm]	L <sub>4</sub> [mm]	L <sub>8</sub> [mm]	L <sub>9</sub> [mm]	M <sub>min</sub> [Nm]	m [kg]	SRE ID
0.3	0215603	9.0	12.0	11.0	100.0	17.5	29.5	22.5	55.0	0.08	0.08	0201971
0.4	0215604	9.0	12.0	11.0	100.0	17.5	29.5	22.5	55.0	0.08	0.08	0201971
0.5	0215605	9.0	12.0	11.0	100.0	17.5	29.5	22.5	55.0	0.08	0.08	0201971
0.6	0215606	9.0	12.0	11.0	100.0	17.5	29.5	22.5	55.0	0.08	0.08	0201971
0.7	0215607	9.0	12.0	11.0	100.0	17.5	29.5	22.5	55.0	0.08	0.08	0201971
0.8	0215608	9.0	12.0	11.0	100.0	17.5	29.5	22.5	55.0	0.08	0.08	0201971
0.9	0215609	9.0	12.0	11.0	100.0	17.5	29.5	22.5	55.0	0.08	0.08	0201971
1.0	0215610	9.0	12.0	11.0	100.0	17.5	29.5	22.5	55.0	0.08	0.08	0201971
1.1	0215611	9.0	12.0	11.0	100.0	17.5	29.5	22.5	55.0	0.08	0.08	0201971
1.2	0215612	9.0	12.0	11.0	100.0	17.5	29.5	22.5	55.0	0.08	0.08	0201971
1.3	0215613	9.0	12.0	11.0	100.0	17.5	29.5	22.5	55.0	0.08	0.08	0201971
1.4	0215614	9.0	12.0	11.0	100.0	17.5	29.5	22.5	55.0	0.08	0.08	0201971
1.5	0215615	9.0	12.0	11.0	100.0	17.5	29.5	22.5	55.0	0.08	0.08	0201971
1.6	0215616	9.0	12.0	11.0	100.0	17.5	29.5	22.5	55.0	0.08	0.08	0201971
1.7	0215617	9.0	12.0	11.0	100.0	17.5	29.5	22.5	55.0	0.08	0.08	0201971
1.8	0215618	9.0	12.0	11.0	100.0	17.5	29.5	22.5	55.0	0.08	0.08	0201971
1.9	0215619	9.0	12.0	11.0	100.0	17.5	29.5	22.5	55.0	0.08	0.08	0201971

• Can be supplied from stock

Design suitable for MQL operations available on request

Bore for data carrier as an option

Additional sizes and special designs available on request

• Posible suministro de existencias

Diseño apto para operaciones MQL disponible a pedido

Orificio para portador de datos como opción

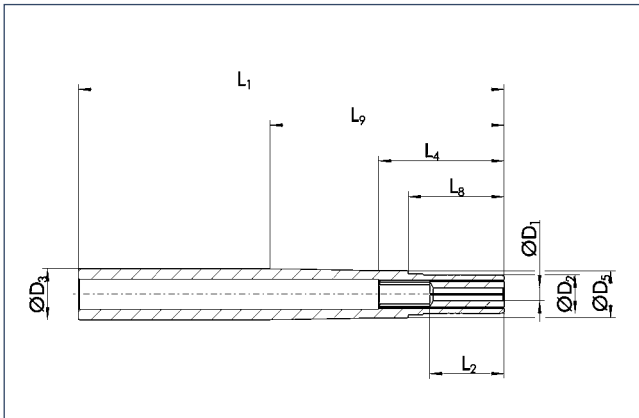
Tamaños adicionales y diseños especiales disponibles a pedido

**TRIBOS-Mini SVL-100-12**

works perfectly when combined with our TENDO or TRIBOS toolholders

**TRIBOS-Mini SVL-100-12**

trabajo perfecto en combinación con nuestros portaherramientas TENDO o TRIBOS



Technical data

Datos técnicos

D <sub>1</sub> [mm]	ID		D <sub>2</sub> [mm]	D <sub>3</sub> [mm]	D <sub>5</sub> [mm]	L <sub>1</sub> [mm]	L <sub>2</sub> * [mm]	L <sub>4</sub> [mm]	L <sub>8</sub> [mm]	L <sub>9</sub> [mm]	M <sub>min</sub> [Nm]	m [kg]	SRE ID
2.0	0215620	•	9.0	12.0	11.0	100.0	17.5	29.5	22.5	55.0		0.08	0201971
2.1	0215621		9.0	12.0	11.0	100.0	17.5	29.5	22.5	55.0		0.08	0201971
2.2	0215622		9.0	12.0	11.0	100.0	17.5	29.5	22.5	55.0		0.08	0201971
2.3	0215623		9.0	12.0	11.0	100.0	17.5	29.5	22.5	55.0		0.08	0201971
2.4	0215624		9.0	12.0	11.0	100.0	17.5	29.5	22.5	55.0		0.08	0201971
2.5	0215625		9.0	12.0	11.0	100.0	17.5	29.5	22.5	55.0		0.08	0201971
2.6	0215626		9.0	12.0	11.0	100.0	17.5	29.5	22.5	55.0		0.08	0201971
2.7	0215627		9.0	12.0	11.0	100.0	17.5	29.5	22.5	55.0		0.08	0201971
2.8	0215628		9.0	12.0	11.0	100.0	17.5	29.5	22.5	55.0		0.08	0201971
2.9	0215629		9.0	12.0	11.0	100.0	17.5	29.5	22.5	55.0		0.08	0201971
3.0	0215630	•	9.0	12.0	11.0	100.0	17.5	29.5	22.5	55.0	1.5	0.08	0201971
3.1	0215631		9.0	12.0	11.0	100.0	17.5	29.5	22.5	55.0	1.6	0.08	0201971
3.2	0215632		9.0	12.0	11.0	100.0	17.5	29.5	22.5	55.0	1.7	0.08	0201971
3.3	0215633		9.0	12.0	11.0	100.0	17.5	29.5	22.5	55.0	1.8	0.08	0201971
3.4	0215634		9.0	12.0	11.0	100.0	17.5	29.5	22.5	55.0	1.9	0.08	0201971
3.5	0215635		9.0	12.0	11.0	100.0	17.5	29.5	22.5	55.0	2.0	0.08	0201971
3.6	0215636		9.0	12.0	11.0	100.0	17.5	29.5	22.5	55.0	2.1	0.08	0201971
3.7	0215637		9.0	12.0	11.0	100.0	17.5	29.5	22.5	55.0	2.2	0.08	0201971
3.8	0215638		9.0	12.0	11.0	100.0	17.5	29.5	22.5	55.0	2.3	0.08	0201971
3.9	0215639		9.0	12.0	11.0	100.0	17.5	29.5	22.5	55.0	2.4	0.08	0201971

• Can be supplied from stock

• Posible suministro de existencias

Design suitable for MQL operations available on request  
 Bore for data carrier as an option

Diseño apto para operaciones MQL disponible a pedido  
 Orificio para portador de datos como opción

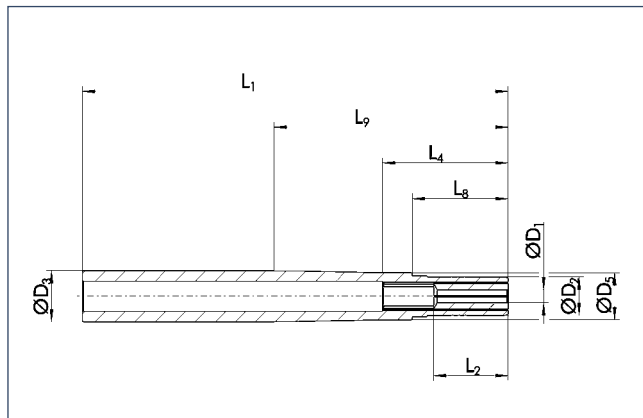
Additional sizes and special designs available on request

Tamaños adicionales y diseños especiales disponibles a pedido



### TRIBOS-Mini SVL-100-12

works perfectly when combined with our TENDO or TRIBOS toolholders



### TRIBOS-Mini SVL-100-12

trabajo perfecto en combinación con nuestros portaherramientas TENDO o TRIBOS



< 0.003 mm



125000 min<sup>-1</sup>



25000 min<sup>-1</sup>



#### Technical data

#### Datos técnicos

D <sub>1</sub> [mm]	ID		D <sub>2</sub> [mm]	D <sub>3</sub> [mm]	D <sub>5</sub> [mm]	L <sub>1</sub> [mm]	L <sub>2</sub> * [mm]	L <sub>4</sub> [mm]	L <sub>8</sub> [mm]	L <sub>9</sub> [mm]	M <sub>min</sub> [Nm]	m [kg]	SRE ID
4.0	0205617	•	9.0	12.0	11.0	100.0	17.5	29.5	22.5	55.0	2.5	0.08	0201971
4.1	0215641		9.0	12.0	11.0	100.0	17.5	29.5	22.5	55.0	2.6	0.08	0201971
4.2	0215642		9.0	12.0	11.0	100.0	17.5	29.5	22.5	55.0	2.7	0.08	0201971
4.3	0215643		9.0	12.0	11.0	100.0	17.5	29.5	22.5	55.0	2.8	0.08	0201971
4.4	0215644		9.0	12.0	11.0	100.0	17.5	29.5	22.5	55.0	2.9	0.08	0201971
4.5	0215645		9.0	12.0	11.0	100.0	17.5	29.5	22.5	55.0	3.0	0.08	0201971
4.6	0215646		9.0	12.0	11.0	100.0	17.5	29.5	22.5	55.0	3.1	0.08	0201971
4.7	0215647		9.0	12.0	11.0	100.0	17.5	29.5	22.5	55.0	3.2	0.08	0201971
4.8	0215648		9.0	12.0	11.0	100.0	17.5	29.5	22.5	55.0	3.3	0.08	0201971
4.9	0215649		9.0	12.0	11.0	100.0	17.5	29.5	22.5	55.0	3.4	0.08	0201971
5.0	0205618	•	9.0	12.0	11.0	100.0	17.5	29.5	22.5	55.0	3.5	0.08	0201971

• Can be supplied from stock

Design suitable for MQL operations available on request

Bore for data carrier as an option

Additional sizes and special designs available on request

• Posible suministro de existencias

Diseño apto para operaciones MQL disponible a pedido

Orificio para portador de datos como opción

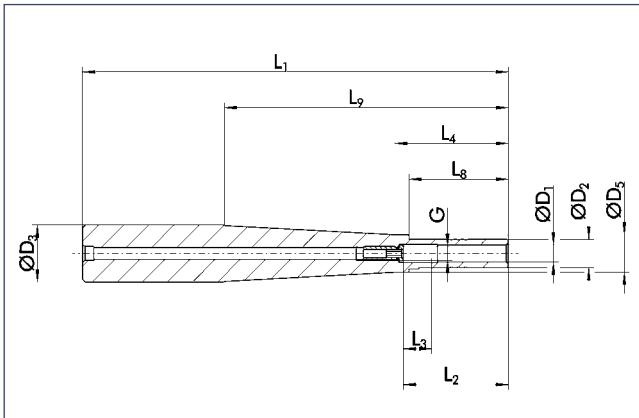
Tamaños adicionales y diseños especiales disponibles a pedido

**TRIBOS SVL-100, SVL-150, SVL-250 D<sub>3</sub>=20**

works perfectly when combined with our TENDO or TRIBOS toolholders

**TRIBOS SVL-100, SVL-150, SVL-250 D<sub>3</sub>=20**

trabajo perfecto en combinación con nuestros portaherramientas TENDO o TRIBOS



<math>< 0.003 \text{ mm}</math>



85000 min<sup>-1</sup>



25000 min<sup>-1</sup>



✓



Technical data

Datos técnicos

D <sub>1</sub> [mm]	ID		D <sub>2</sub> [mm]	D <sub>3</sub> [mm]	D <sub>5</sub> [mm]	L <sub>1</sub> [mm]	L <sub>2</sub> [mm]	L <sub>3</sub> [mm]	L <sub>4</sub> [mm]	L <sub>8</sub> [mm]	L <sub>9</sub> [mm]	G	M <sub>min</sub> [Nm]	m [kg]	SRE ID
6.0	0205600	•	10.0	20.0	13.0	100.0	37.0	10.0	40.0	35.0	50.0	M5	5.0	0.186	0201972
8.0	0205601	•	13.0	20.0	15.0	100.0	37.0	10.0	40.0	35.0	50.0	M6	12.0	0.195	0201973
10.0	0205602	•	16.0	20.0	18.0	100.0	42.0	10.0	45.0	40.0	50.0	M8x1	20.0	0.198	0201974
12.0	0205603	•	19.0	20.0		100.0	47.0	10.0		45.0		M8x1	30.0	0.2	0201975
6.0	0205604	•	10.0	20.0	13.0	150.0	37.0	10.0	40.0	35.0	100.0	M5	5.0	0.266	0201972
8.0	0205605	•	13.0	20.0	15.0	150.0	37.0	10.0	40.0	35.0	100.0	M6	12.0	0.278	0201973
10.0	0205606	•	16.0	20.0	18.0	150.0	42.0	10.0	45.0	40.0	100.0	M8x1	20.0	0.292	0201974
12.0	0205607	•	19.0	20.0		150.0	47.0	10.0		45.0		M8x1	30.0	0.318	0201975
6.0	0205645		10.0	20.0	13.0	250.0	37.0	10.0	40.0	35.0	50.0	M5	5.0	0.36	0201972
8.0	0205646		13.0	20.0	15.0	250.0	37.0	10.0	40.0	35.0	50.0	M6	12.0	0.39	0201973
10.0	0205647		16.0	20.0	18.0	250.0	42.0	10.0	45.0	40.0	50.0	M8x1	20.0	0.4	0201974
12.0	0205648		19.0	20.0		250.0	47.0	10.0		45.0		M8x1	30.0	0.41	0201975

• Can be supplied from stock

• Posible suministro de existencias

Design suitable for MQL operations available on request  
 Bore for data carrier as an option

Diseño apto para operaciones MQL disponible a pedido  
 Orificio para portador de datos como opción

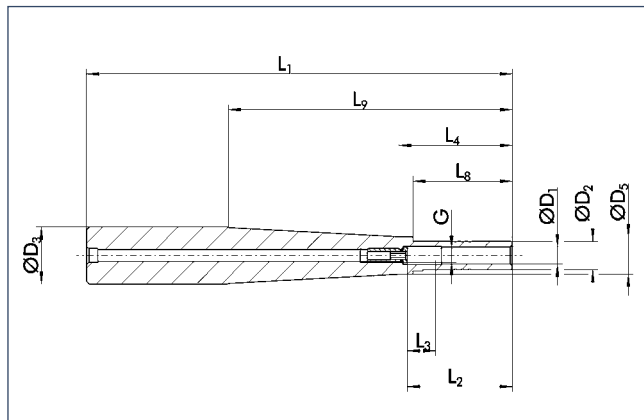
The 250 mm-version can be shortened up to 200 mm  
 Also available in heavy metal

La versión de 250 mm se puede acortar hasta 200 mm  
 También disponible en metal pesado

Ext.

### TRIBOS SVL-150-32

works perfectly when combined with our TENDO or TRIBOS toolholders



### TRIBOS SVL-150-32

trabajo perfecto en combinación con nuestros portaherramientas TENDO o TRIBOS



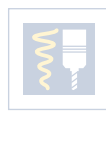
< 0.003 mm



85000 min<sup>-1</sup>



25000 min<sup>-1</sup>



#### Technical data

#### Datos técnicos

D <sub>1</sub> [mm]	ID	D <sub>2</sub> [mm]	D <sub>3</sub> [mm]	D <sub>5</sub> [mm]	L <sub>1</sub> [mm]	L <sub>2</sub> [mm]	L <sub>3</sub> [mm]	L <sub>4</sub> [mm]	L <sub>8</sub> [mm]	L <sub>9</sub> [mm]	G	M <sub>min</sub> [Nm]	m [kg]	SRE ID
6.0	≡													
8.0	≡													
10.0	≡													
12.0	≡													
14.0	0205612	22.0	32.0	24.0	150.0	47.0	10.0	50.0	45.0	85.0	M10x1	50.0	0.6	0201976
16.0	0205613	25.0	32.0	27.0	150.0	48.0	10.0	50.0	45.0	85.0	M10x1	70.0	0.65	0201977
18.0	0205614	28.0	32.0	30.0	150.0	48.0	10.0	50.0	45.0	85.0	M10x1	100.0	0.65	0201979
20.0	0205619	30.0	32.0		150.0	52.0	10.0		45.0		M10x1	150.0	0.7	0201981

- ≡ Additional sizes can be clamped with intermediate sleeves
- Can be supplied from stock

- 🔧 Design suitable for MQL operations available on request
- 📄 Bore for data carrier as an option

📄 Also available in heavy metal

- ≡ Para sujetar con casquillos intermedios
- Posible suministro de existencias

- 🔧 Diseño apto para operaciones MQL disponible a pedido
- 📄 Orificio para portador de datos como opción

📄 También disponible en metal pesado



**Clamping devices**  
see chapter accessories

**Dispositivos de sujeción**  
consulte el capítulo sobre accesorios



**Reduction inserts**  
see chapter accessories

**Insertos de reducción**  
consulte el capítulo sobre accesorios



**Length measuring devices**  
see chapter accessories

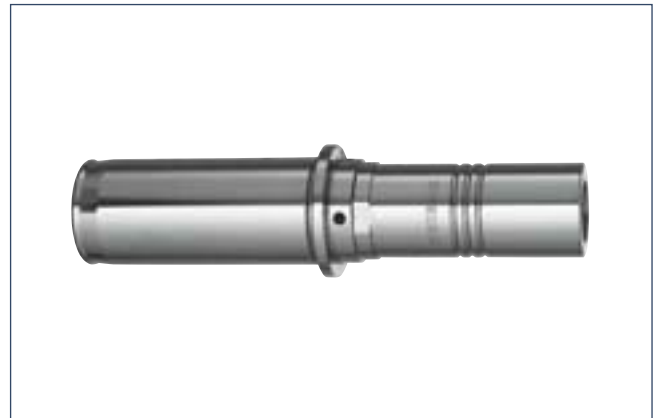
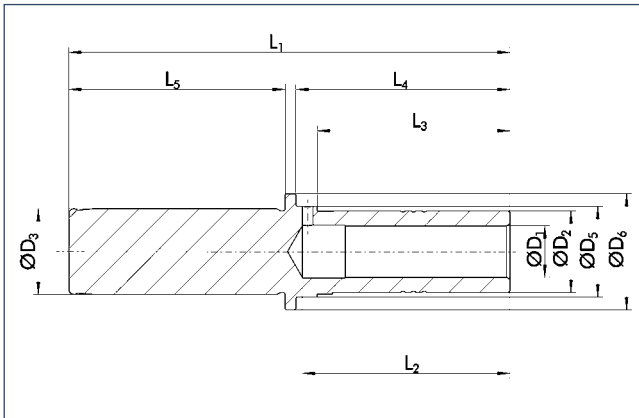
**Disp. de medición de la longitud**  
consulte el capítulo sobre accesorios

**TRIBOS SVL with collar**

works perfectly when combined with our TENDO or TRIBOS toolholders for tool grinding

**TRIBOS SVL con collar**

trabajo perfecto en combinación con nuestros portaherramientas TENDO o TRIBOS para el rectificado de herramientas



**Technical data**

**Datos técnicos**

D <sub>1</sub> [mm]	ID	D <sub>2</sub> [mm]	D <sub>3</sub> [mm]	D <sub>5</sub> [mm]	D <sub>6</sub> [mm]	L <sub>1</sub> [mm]	L <sub>2</sub> [mm]	L <sub>3</sub> [mm]	L <sub>4</sub> [mm]	L <sub>5</sub> [mm]	M <sub>min</sub> [Nm]	m [kg]	SRE ID
6.0	0215501	10.0	20.0	13.0	27.0	93.0	38.5	35.0	40.0	50.5	5.0	0.12	0201972
8.0	0215502	13.0	20.0	15.0	27.0	93.0	38.5	35.0	40.0	50.5	12.0	0.14	0201973
10.0	0215503	16.0	20.0	18.0	27.0	98.0	43.5	40.0	45.0	50.5	20.0	0.17	0201974
12.0	0215504	19.0	20.0	21.0	27.0	103.0	48.5	45.0	50.0	50.5	30.0	0.2	0201975
14.0	0215509	22.0	20.0	24.0	27.0	103.0	48.0	45.0	50.0	50.5	50.0	0.24	0201976
16.0	0215505	25.0	20.0	27.0	37.0	105.0	49.5	45.0	52.0	50.5	70.0	0.27	0201977
18.0	0215500	28.0	20.0	30.0	37.0	105.0	49.0	45.0	52.0	50.5	100.0	0.29	0201979
20.0	0215506	30.0	20.0	32.0	37.0	110.0	53.0	45.0	57.0	50.5	150.0	0.33	0201981
6.0	0215511	10.0	22.0	13.0	27.0	93.0	38.5	35.0	40.0	50.5	5.0	0.15	0201972
8.0	0215512	13.0	22.0	15.0	27.0	93.0	38.5	35.0	40.0	50.5	12.0	0.17	0201973
10.0	0215513	16.0	22.0	18.0	27.0	98.0	43.5	40.0	45.0	50.5	20.0	0.2	0201974
12.0	0215514	19.0	22.0	21.0	27.0	103.0	48.5	45.0	50.0	50.5	30.0	0.23	0201975
14.0	0215519	22.0	22.0	24.0	27.0	103.0	48.0	45.0	50.0	50.5	50.0	0.27	0201976
16.0	0215515	25.0	22.0	27.0	37.0	105.0	49.5	45.0	52.0	50.5	70.0	0.3	0201977
18.0	0215510	28.0	22.0	30.0	37.0	105.0	49.0	45.0	52.0	50.5	100.0	0.32	0201979
20.0	0215516	30.0	22.0	32.0	37.0	110.0	53.0	45.0	57.0	50.5	150.0	0.36	0201981

• Can be supplied from stock

• Posible suministro de existencias

🔧 Design suitable for MQL operations available on request

🔧 Diseño apto para operaciones MQL disponible a pedido

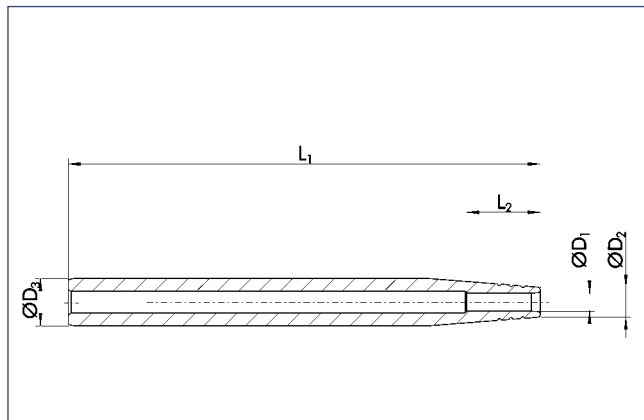
📄 Additional sizes and special designs available on request

📄 Tamaños adicionales y diseños especiales disponibles a pedido

Ext.

### CELSIO SSV

without length adjustment screw  
works perfectly when combined with our TENDO or COLLET toolholders



### CELSIO SSV

sin tornillo de ajuste  
trabajo perfecto en combinación con nuestros portaherramientas TENDO o COLLET



#### Technical data

#### Datos técnicos

D <sub>1</sub> [inch]	ID	D <sub>2</sub> [mm]	D <sub>3</sub> [inch]	L <sub>1</sub> [mm]	L <sub>2</sub> [mm]	M <sub>min</sub> [Nm]	m [kg]
1/8"	0210070	8.0	1/2"	160.0	9.0	8.0	0.15
3/16"	0210071	8.0	1/2"	160.0	12.0	12.0	0.1
1/8"	0210072	10.0	5/8"	160.0	9.0	8.0	0.25
3/16"	0210073	10.0	5/8"	160.0	12.0	12.0	0.25
1/4"	0210074	10.0	5/8"	160.0	22.0	20.0	0.25
1/4"	0210075	14.0	3/4"	160.0	22.0	20.0	0.4
3/8"	0210076	14.0	3/4"	160.0	31.0	70.0	0.35
3/8"	0210077	20.0	1"	160.0	31.0	70.0	0.55
1/2"	0210078	20.0	1"	160.0	36.0	150.0	0.58
5/8"	0210069	22.0	1"	160.0	39.0	300.0	0.45
1/2"	0210081	24.0	1 1/4"	160.0	36.0	150.0	0.95
5/8"	0210083	27.0	1 1/4"	160.0	39.0	300.0	0.9

• Can be supplied from stock

 Design suitable for MQL operations available on request

 Additional sizes and special designs available on request

• Posible suministro de existencias

 Diseño apto para operaciones MQL disponible a pedido

 Tamaños adicionales y diseños especiales disponibles a pedido



**Shrinking unit**  
see chapter accessories

**Unidad de compresión**  
consulte el capítulo sobre accesorios



**Screws**  
see chapter accessories

**Tornillos**  
consulte el capítulo sobre accesorios



**Further accessories**  
see chapter accessories

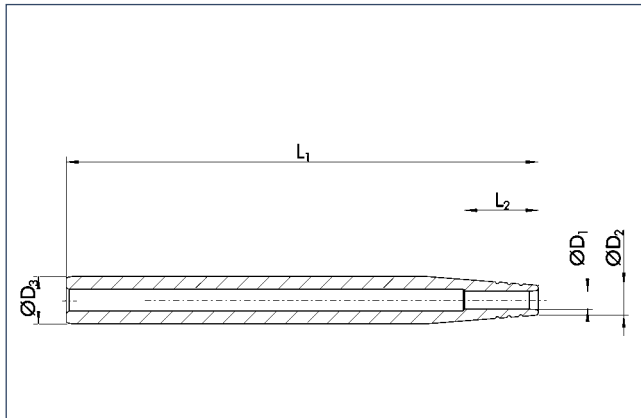
**Accesorios adicionales**  
consulte el capítulo sobre accesorios

**CELSIO SSV**

with length adjustment screw  
works perfectly when combined with our TENDO or BIG toolholders

**CELSIO SSV**

con tornillo de ajuste  
trabajo perfecto en combinación con nuestros portaherramientas TENDO o BIG



**Technical data**

**Datos técnicos**

D <sub>1</sub> [mm]	ID	D <sub>2</sub> [mm]	D <sub>3</sub> [mm]	L <sub>1</sub> [mm]	L <sub>2</sub> [mm]	G	M <sub>min</sub> [Nm]	m [kg]
6.0	0210121	10.0	16.0	160.0	28.0	M5	20.0	0.25
6.0	0210123	14.0	20.0	160.0	28.0	M5	20.0	0.35
8.0	0210124	14.0	20.0	160.0	34.0	M6	52.0	0.35
8.0	0210125	19.0	25.0	160.0	34.0	M6	52.0	0.55
10.0	0210126	20.0	25.0	160.0	42.0	M8x1	70.0	0.55
12.0	0210127	• 20.0	25.0	160.0	47.0	M10x1	150.0	0.55
14.0	0210128	20.0	25.0	160.0	47.0	M10x1	180.0	0.45
16.0	0210129	22.0	25.0	160.0	50.0	M12x1	200.0	0.45
10.0	0210130	27.0	32.0	160.0	42.0	M8x1	70.0	0.95
12.0	0210131	• 27.0	32.0	160.0	47.0	M10x1	150.0	0.95
14.0	0210132	27.0	32.0	160.0	47.0	M10x1	180.0	0.9
16.0	0210133	27.0	32.0	160.0	50.0	M12x1	200.0	0.9
20.0	0210134	27.0	32.0	160.0	52.0	M16x1	300.0	0.35

• Can be supplied from stock

🔧 Design suitable for MQL operations available on request

📄 Additional sizes and special designs available on request

• Posible suministro de existencias

🔧 Diseño apto para operaciones MQL disponible a pedido

📄 Tamaños adicionales y diseños especiales disponibles a pedido



**Shrinking unit**  
see chapter accessories

**Unidad de compresión**  
consulte el capítulo sobre accesorios



**Screws**  
see chapter accessories

**Tornillos**  
consulte el capítulo sobre accesorios

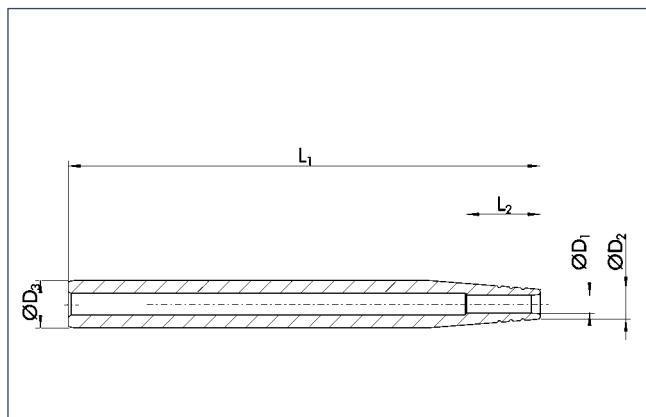


**Further accessories**  
see chapter accessories

**Accesorios adicionales**  
consulte el capítulo sobre accesorios

### CELSIO SSV

without length adjustment screw  
works perfectly when combined with our TENDO or COLLET toolholders



### CELSIO SSV

sin tornillo de ajuste  
trabajo perfecto en combinación con nuestros portaherramientas TENDO o COLLET



< 0.003 mm



40000 min<sup>-1</sup>



25000 min<sup>-1</sup>



#### Technical data

#### Datos técnicos

D <sub>1</sub> [mm]	ID		D <sub>2</sub> [mm]	D <sub>3</sub> [mm]	L <sub>1</sub> [mm]	L <sub>2</sub> [mm]	M <sub>min</sub> [Nm]	m [kg]
3.0	0208933	•	8.0	12.0	160.0	9.0	8.0	0.15
4.0	0208934	•	8.0	12.0	160.0	12.0	10.0	0.1
3.0	0208953		10.0	16.0	160.0	9.0	8.0	0.25
4.0	0208954		10.0	16.0	160.0	12.0	10.0	0.25
5.0	0208955		10.0	16.0	160.0	15.0	12.0	0.25
6.0	0208950	•	10.0	16.0	160.0	22.0	20.0	0.25
5.0	0208975		14.0	20.0	160.0	15.0	12.0	0.4
6.0	0208970		14.0	20.0	160.0	22.0	20.0	0.35
8.0	0208971		14.0	20.0	160.0	26.0	52.0	0.35
8.0	0208981		19.0	25.0	160.0	26.0	52.0	0.55
10.0	0208982	•	20.0	25.0	160.0	31.0	70.0	0.55
12.0	0208983		20.0	25.0	160.0	36.0	150.0	0.55
14.0	0208984		20.0	25.0	160.0	36.0	180.0	0.45
16.0	0208985		22.0	25.0	160.0	39.0	300.0	0.45
10.0	0208992		27.0	32.0	160.0	31.0	70.0	0.95
12.0	0208993		27.0	32.0	160.0	36.0	150.0	0.95
14.0	0208994		27.0	32.0	160.0	36.0	180.0	0.9
16.0	0208995		27.0	32.0	160.0	39.0	200.0	0.9
20.0	0208997	•	27.0	32.0	160.0	47.0	300.0	0.85

• Can be supplied from stock

🔧 Design suitable for MQL operations available on request

📄 Additional sizes and special designs available on request

• Posible suministro de existencias

🔧 Diseño apto para operaciones MQL disponible a pedido

📄 Tamaños adicionales y diseños especiales disponibles a pedido