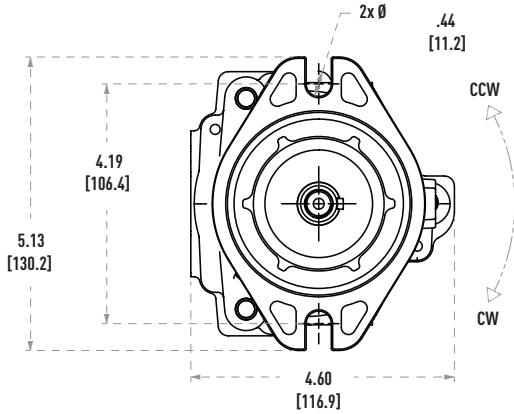


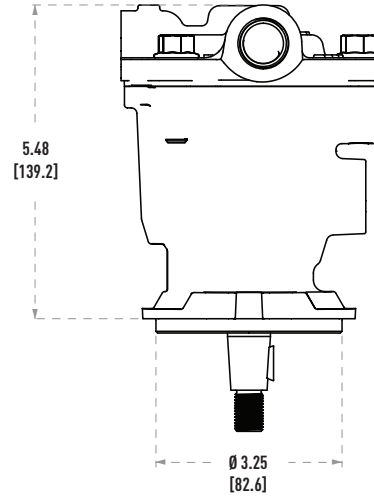
HEM™ MOTOR SPEC SHEET

HYDRO-GEAR®
COMMERCIAL

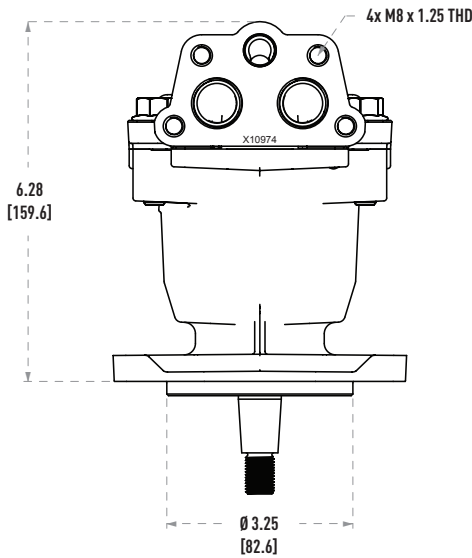
OUTPUT ROTATION



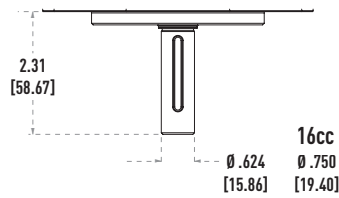
STANDARD



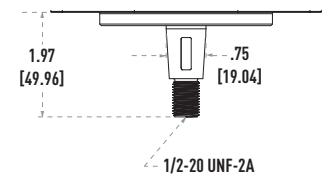
MANIFOLD



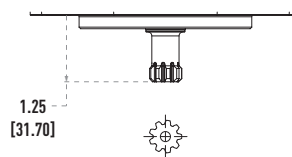
SAE 5/8" KEYED



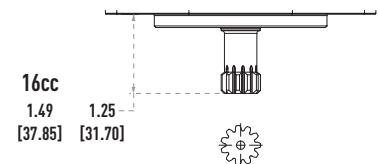
SAE 3/4" TAPER 1:8



SAE 9 TOOTH SPLINE 16/32 PITCH



SAE 11 TOOTH SPLINE 16/32 PITCH



MOTOR SPECIFICATIONS

Displacement in ³ /rev [cm ³ /rev]	SAE Mounting	Shaft Style	Port Size and Location	Output Speed Range rpm	Pressure Rating* psi [bar]	Weight lbs [kg]
0.61 [10] 0.73 [12] 0.97 [16]	"A" 2 bolt	Keyed, splined, or taper	7/8" SAE Side and Manifold Mount	50-4200	3000 [207]	6.5 [2.9]

Optional Speed Sensor Available

* Pending Applications Review

BREAKING TRADITIONS IN THE FLUID POWER INDUSTRY SINCE 1991.

Hydro-Gear® is a world-wide leader in hydraulic drive products. With the support of its parent companies, Danfoss and Agri-Fab, Hydro-Gear has provided over 25 years of innovative mobile fluid power solutions focusing on efficiency, performance, and economical value.

Today, Hydro-Gear is the preeminent designer and manufacturer of hydrostatic transmissions that serve multiple industries and customers around the world.

HYDRO-GEAR®
COMMERCIAL

FOR MORE INFORMATION ABOUT HYDRO-GEAR OR SMARTEC® ELECTRIC PRODUCTS VISIT:
WWW.HYDRO-GEAR.COM

