



DEUBLIN

Rotating Union H Series for Steam or Hot Oil Service, DN 20 - 125

- monoflow and duoflow design
- self-supported rotating union
- designed for steam and hot oil applications in paper, plastics and textile industries
- effective on a variety of applications, especially on open gear paper machines
- pressurised spherical carbon graphite seal
- Ni-Resist counterface
- two widely spaced graphite bearings
- H57 - H127 optional with sight glasses in the end cap for visual inspection of condensate removal
- seal wear indicator allows preventive maintenance
- flanged or threaded rotor available
- cast iron housing
- steel rotor

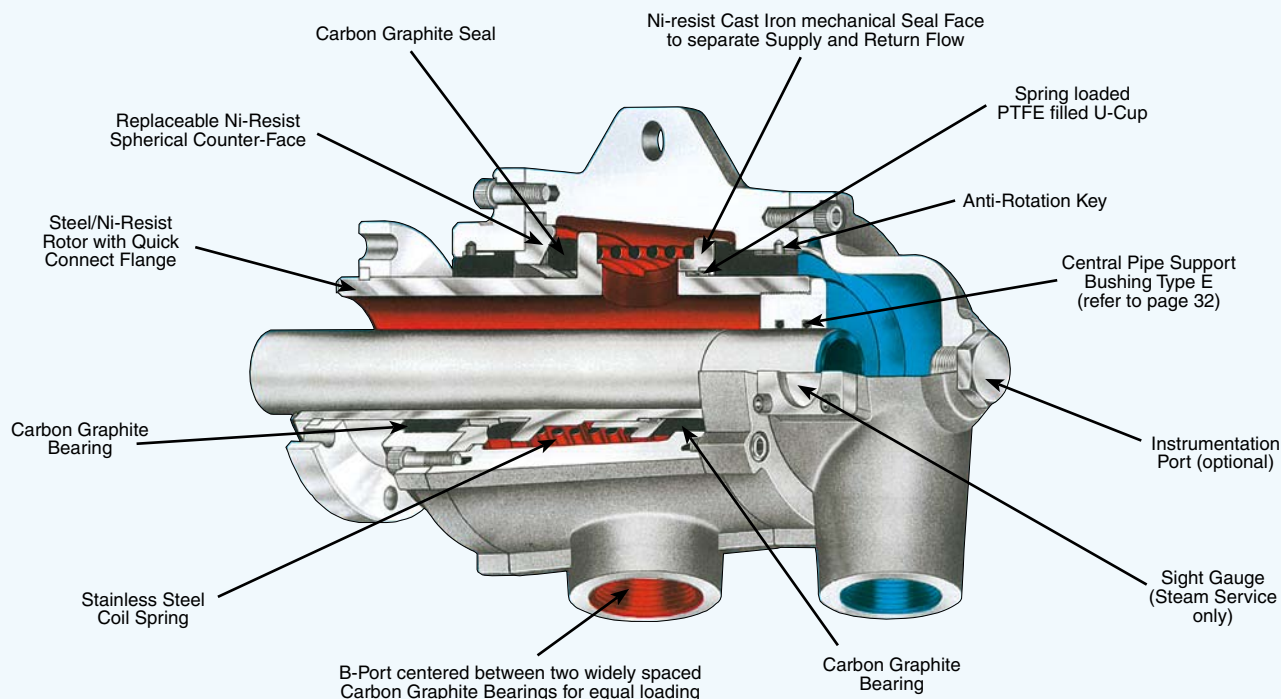
Operating Data

Max. Saturated Steam Pressure*	150 PSI	10 bar
Max. Temperature	365 °F	185 °C
Max. Speed*	180 RPM	180 min ⁻¹
Max. Hot Oil Pressure*	90 PSI	6 bar
Max. Speed*	350 RPM	350 min ⁻¹

Max. Temperature 230 °C > 230 °C consult **DEUBLIN**

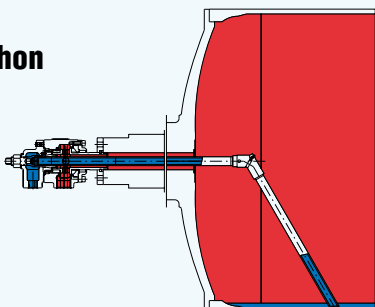
* Operation at max. pressure combined with max. speed is not permissible

For further information please contact **DEUBLIN** or your local representative.

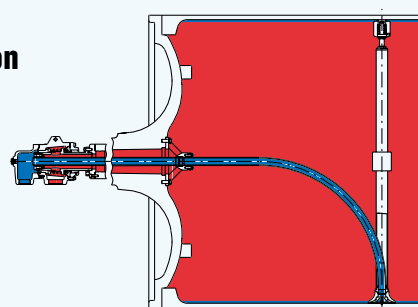


The rotating unions of the H Series can be used with the **DEUBLIN** Siphon Systems. Rotating and non-rotating siphon systems can be customised to meet any/all requirements. For further information please refer to our catalogue "Rotating Joints and Siphon Systems for the Paper Industry" or contact **DEUBLIN** directly.

Example for Stationary Siphon System

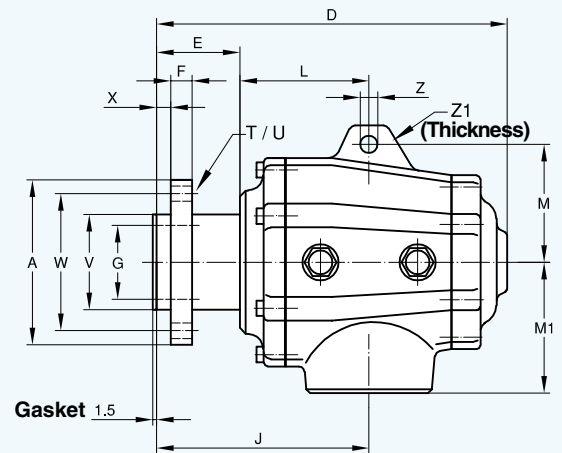
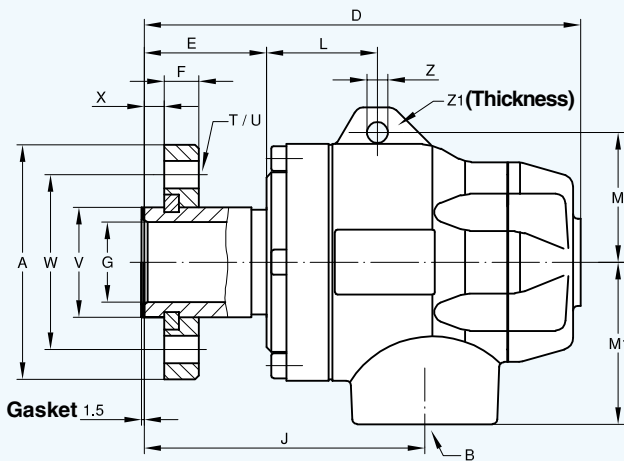


Example for Rotating Siphon System

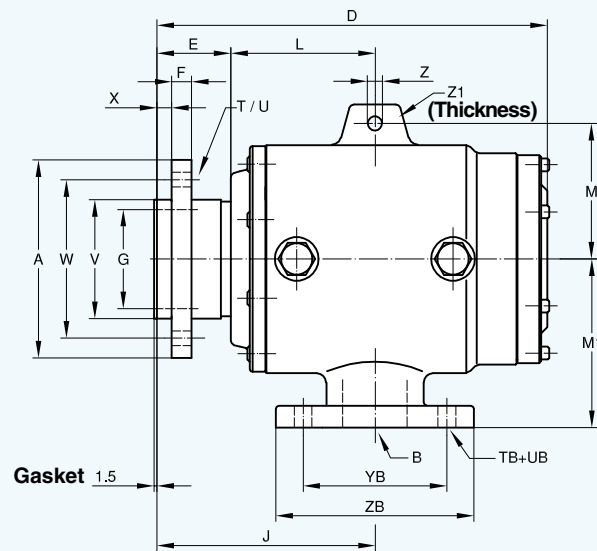


Monoflow Rotating Union, Models Size H20 - H40 and

H57 - H87



Models Size H107 and H127



Monoflow Rotating Union

DN	B	Model M	A ø	D	E	F	G ø	J	L	M	M ₁
20	G 3/4	H20	69	140	40	12	18	95	59	45	50
25	G 1	H25	78	165	47	12	24,5	101	44	50	60
32	G 1 1/4	H32	94	175	49	14	32	112,5	44,5	52	65
40	G 1 1/2	H40	99	204	61	14	38	136,5	51	70	75
50	G 2	H57	120	258	60,5	14	47	151	90,5	83	95
65	G 2 1/2	H67	138,5	300	70	18	62	178,5	108,5	99	110
80	G 3	H87	150	326	67,5	18	76,5	188	120,5	115	120
100	DN 100	H107	200	394	76,5	20	100	220	143,5	137	170
125	DN 125	H127	280	465	85	24	125	275	190	158	220

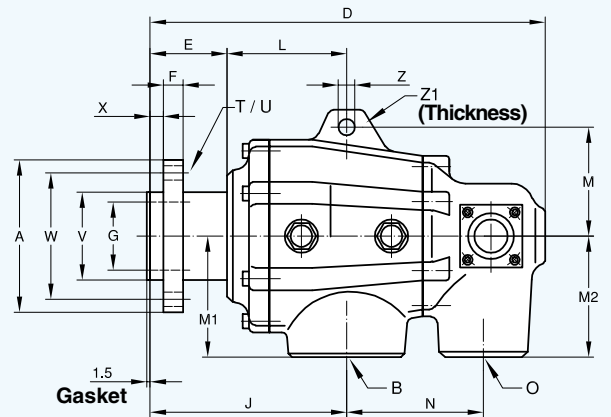
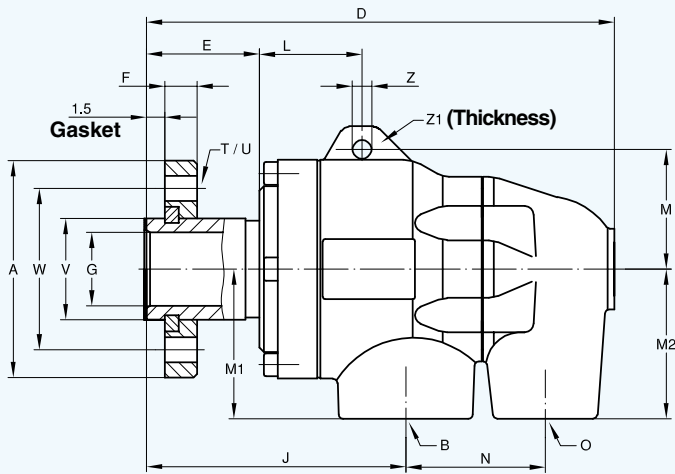
Duoflow Rotating Union

DN	B	O	Model E-R-S	A ø	D	E	F	G ø	J	L	M	M ₁	M ₂	N
20	G 3/4	G 1/2	H20	69	195	40	12	18	95	59	45	50	30	86
25	G 1	G 1/2	H25	78	220	47	12	24,5	101	44	50	60	30	104
32	G 1	G 3/4	H32	94	203	49	14	32	112,5	44,5	52	65	65	60,5
40	G 1 1/4	G 1	H40	99	245	61	14	38	136,5	51	70	75	75	71,5
50	G 1 1/2	G 1 1/4	H57	120	303	60,5	14	47	151	90,5	83	95	95	97
65	G 2	G 1 1/2	H67	138,5	359	70	18	62	178,5	108,5	99	110	110	124,5
80	G 2 1/2	G 2	H87	150	396	67,5	18	76,5	188	120,5	115	120	120	146
100	DN 80	DN 65	H107	200	562,5	76,5	20	100	220	143,5	137	170	170	251
	DN 65	DN 65	H107 *	200	563,5	76,5	20	100	220	143,5	137	170	170	251
125	DN 100	DN 65	H127	280	617,5	85	24	125	275	190	158	220	220	250
	DN 80	DN 80	H127 *	280	625	85	24	125	275	190	158	220	220	250

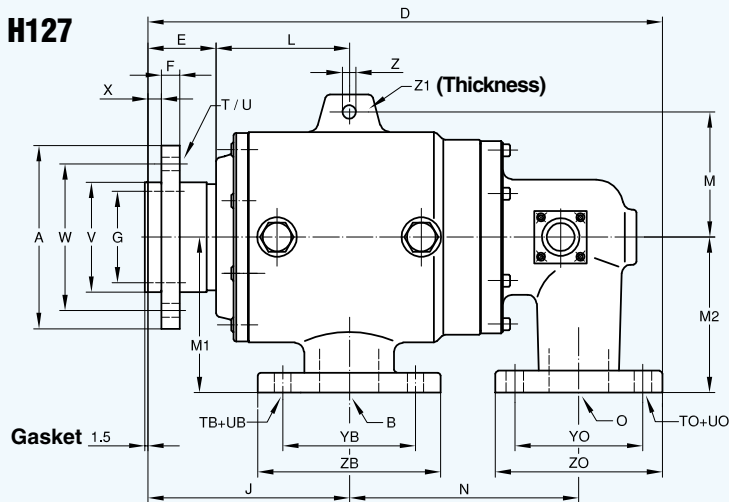
* Hot Oil Design

Duoflow Rotating Union, Models Size H20 - H40 and

H57 - H87



Models Size H107 and H127



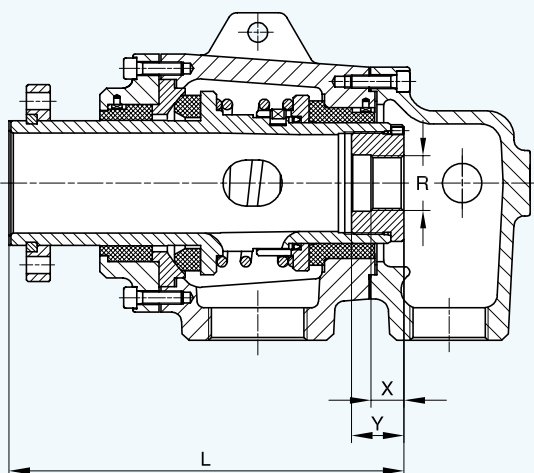
T	U ∅	TB	UB ∅	V ∅ h7	W ∅	X	YB ∅	ZB ∅	Z ∅	Z ₁	DN
4 x 90°	9	-	-	30	50	6	-	-	7	8	20
4 x 90°	9	-	-	36	60	7	-	-	7	11	25
4 x 90°	11	-	-	44	70	8	-	-	8,5	8	32
4 x 90°	11	-	-	52	78	10	-	-	11,5	10	40
4 x 90°	11	-	-	65	95	10	-	-	13	15	50
4 x 90°	13	-	-	80	115	12	-	-	15	20	65
4 x 90°	13	-	-	95	125	12	-	-	15	25	80
6 x 60°	15	8 x 45°	18	120	160	15	180	220	15	25	100
6 x 60°	18	8 x 45°	18	160	225	15	210	250	15	25	125

T	U ∅	TB	UB ∅	TO	UO ∅	V ∅ h7	W ∅	X	YB ∅	ZB ∅	YO ∅	ZO ∅	Z ∅	Z ₁	DN
4 x 90°	9	-	-	-	-	30	50	6	-	-	-	-	7	8	20
4 x 90°	9	-	-	-	-	36	60	7	-	-	-	-	7	11	25
4 x 90°	11	-	-	-	-	44	70	8	-	-	-	-	8,5	8	32
4 x 90°	11	-	-	-	-	52	78	10	-	-	-	-	11,5	10	40
4 x 90°	11	-	-	-	-	65	95	10	-	-	-	-	13	15	50
4 x 90°	13	-	-	-	-	80	115	12	-	-	-	-	15	20	65
4 x 90°	13	-	-	-	-	95	125	12	-	-	-	-	15	25	80
6 x 60°	15	8 x 45°	18	4 x 90°	18	120	160	15	160	200	145	185	15	25	100
6 x 60°	15	4 x 90°	18	4 x 90°	18	120	160	15	145	185	145	185	15	25	
6 x 60°	18	8 x 45°	18	4 x 90°	18	160	225	15	180	220	145	185	15	25	
6 x 60°	18	8 x 45°	18	8 x 45°	18	160	225	15	160	200	160	200	15	25	125

Duoflow Central Pipe Specifications

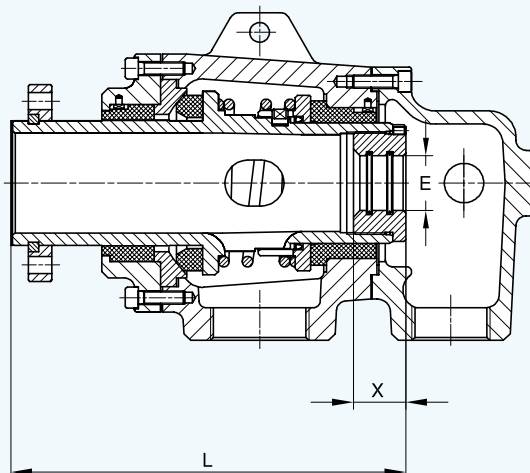
Rotating Central Pipe

R For rotating siphon (steam inlet pipe) the inner pipe is connected by means of a threaded bushing that screws into the rotor.



Rotating Central Pipe axial Movement

E For a rotating siphon capable of axial movement a sliding connection is made between the bushing and the central pipe to allow for the thermal expansion of the central pipe.

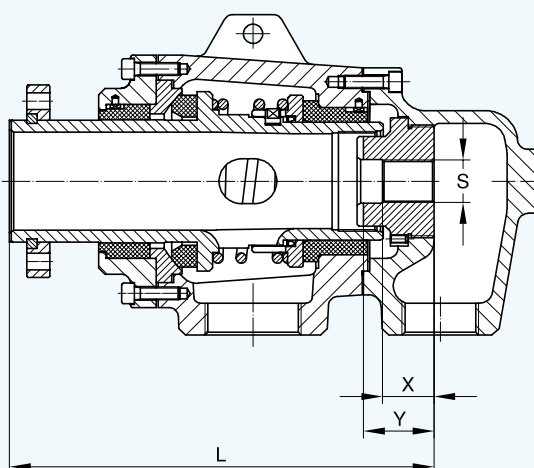


Model	L	X	Y	Design						
				Ra	Rb	Rc	Rd	Re	Rf	Rg
H20	117	15	20	-	G 1/8	G 1/4	-	-	-	-
H25	133	15	20	-	G 1/4	G 3/8	-	-	-	-
H32	147	20	25	-	G 3/8	G 1/2	-	-	-	-
H40	175	25	30	G 1/2	G 3/4	G 1	-	-	-	-
H57	233	25	35	-	G 3/4	G 1	-	G 1 1/4	-	-
H67	273	25	35	G 1/2	G 3/4	G 1	-	G 1 1/4	G 1 1/2	-
H87	300	25	40	G 1	-	G 1 1/4	G 1 1/2	G 2	-	-
H107	375	45	60	G 1	-	G 1 1/4	G 1 1/2	G 2	G 2 1/2	G 3
H127	460	45	60	G 1 1/4	G 1 1/2	G 2	G 2 1/2	G 3	G 4	-

Model	L	X	Design						
			Ea	Eb	Ec	Ed	Ee	Ef	Eg
H20	117	20	-	9,5	13	-	-	-	-
H25	133	20	-	13	17	-	-	-	-
H32	147	25	-	17	21	-	-	-	-
H40	175	30	21	26,6	31	-	-	-	-
H57	233	35	21	26,6	33,3	37,6	42	-	-
H67	273	35	21	26,6	33,3	37,6	42	48	-
H87	300	40	33,3	37,6	42	47,9	59,8	-	-
H107	375	60	33,7	38	42,4	48,3	60,3	76,1	88,9
H127	460	60	42,4	48,3	60,3	76,1	88,9	101,6	-

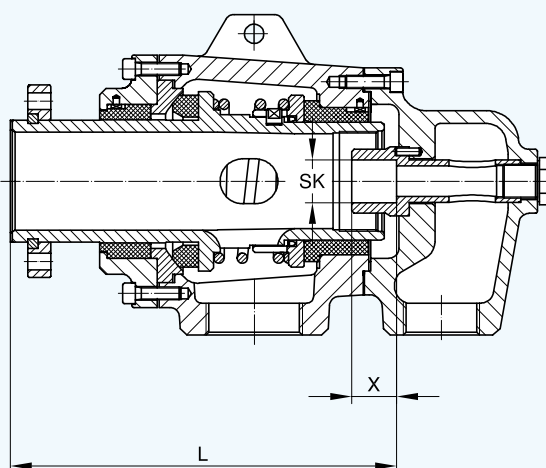
Stationary Central Pipe

S For fixed siphons the pipe is connected by means of a threaded bushing that screws into the end cap.



Stationary Central Pipe

SK For stationary fixed siphons where the central pipe is supported in the end cap and connected by means of an external bolt to the end cap.



Model	L	X	Y	Design					
				Sa	Sb	Sc	Sd	Se	Sf
H20	137	11	16	-	G 1/8	G 1/4	-	-	-
H25	160	11	20	-	G 1/4	G 3/8	-	-	-
H32	172	15	25	-	G 3/8	G 1/2	-	-	-
H40	206	20	30	G 1/2	G 3/4	G 1	-	-	-
H57	250,5	25	40	G 1/2	G 3/4	G 1	-	G 1 1/4	-
H67	303	30	40	G 1/2	G 3/4	G 1	-	G 1 1/4	G 1 1/2
H87	330	35	50	G 1	-	G 1 1/4	G 1 1/2	G 2	-
H107	-	-	-	-	-	-	-	-	-
H127	-	-	-	-	-	-	-	-	-

Model	L	X	Design	
			SKa	SKb
H57	227,5	30	21	26,6
H67	276,5	30	26,6	33
H87	294,5	30	33	42
H107	375	60	33,7	38
H127	460	60	42,4	48,3

Adjustable Siphon available

Consult DEUBLIN Engineering!