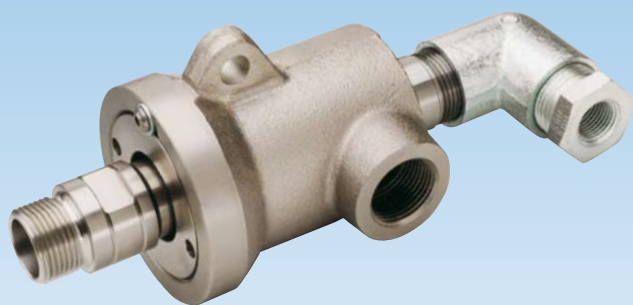


# DEUBLIN

## Rotating Union 9000 Series for Steam or Hot Oil Service, DN 20 - 50



### Operating Data

Max. Saturated Steam Pressure*	250 PSI	17 bar
Max. Temperature	406 °F	207 °C
Max. Hot Oil Pressure*	150 PSI	10 bar
Max. Speed*	400 RPM	400 min <sup>-1</sup>
Max. Temperature	230 °C	> 230 °C consult <b>DEUBLIN</b>
For Ordering No. 9200-014 T <sub>max</sub> = 200°C		

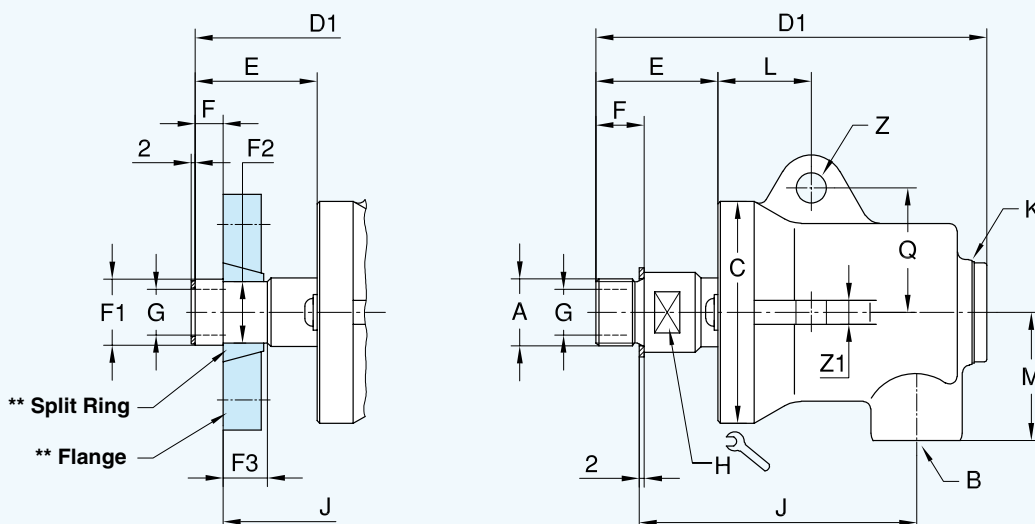
\* Operation at max. pressure combined with max. speed is not permissible

- monoflow and duoflow design
- self-supported rotating union
- spherical seal; lapped Carbon Graphite Rings
- seal wear indicator allows preventive maintenance
- 2 torque lugs on the housing
- nickel-plated cast iron housing
- steel rotor, nickel-plated for steam service

For further information please contact **DEUBLIN** or your local representative.

### Monoflow Rotating Union for Steam and Hot Oil

Dimension D1; E and J for  
Model 9075-014: minus 3 mm  
9100-014: minus 2 mm  
9125-014: minus 7 mm  
9150-014: minus 4 mm

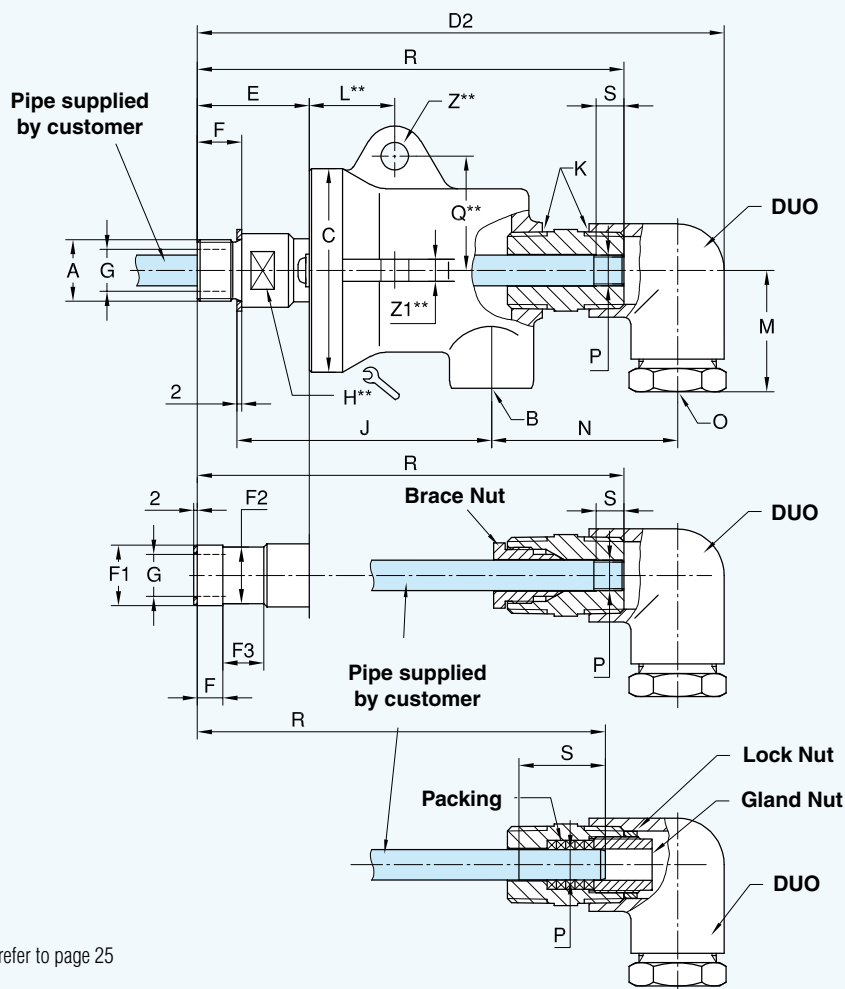


\*\* supplied by customer, data sheet available upon request

### Monoflow Rotating Union

DN	B	Ordering No.		A	C	D1	E	F	F1	F2	F3	G	H	J	K	L	M	Q	Z	Z1	kg
		Steam	Hot Oil																		
20	G 3/4	9075-008-110	9075-014-126	G 3/4	RH	87	155	48	19	-	-	18	27	109	G 1	37	51	49	12	9,5	2,4
	G 3/4	9075-008-111	9075-014-127	G 3/4	LH	87	155	48	19	-	-	18	27	109	G 1	37	51	49	12	9,5	2,4
	G 3/4	9075-008-117	9075-014-128	For Quick Connect Flange		87	155	48	11,1	26,0 25,9	24,25 24,15	17,5	18	-	115	G 1	37	51	49	12	9,5
25	G 1	9100-008-113	9100-014-211	G 1	RH	97	184	60	22	-	-	25,4	32	129	G 1	38	54	54	13	13	3,7
	G 1	9100-008-112	9100-014-212	G 1	LH	97	184	60	22	-	-	25,4	32	129	G 1	38	54	54	13	13	3,7
	G 1	9100-008-121	9100-014-213	For Quick Connect Flange		97	184	60	11,1	32,36 32,23	30,89 30,76	17,5	25,4	-	138	G 1	38	54	54	13	13
32	G 1 1/4	9125-008-118	9125-014-137	G 1 1/4	RH	112	206	65	25,4	-	-	32	41	140	G 1 1/2	42	66	60	13,5	13	6,3
	G 1 1/4	9125-008-119	9125-014-138	G 1 1/4	LH	112	206	65	25,4	-	-	32	41	140	G 1 1/2	42	66	60	13,5	13	6,3
	G 1 1/4	9125-008-126	9125-014-141	For Quick Connect Flange		112	206	65	12,7	41,0 40,9	39,65 39,55	19	32	-	150	G 1 1/2	42	66	60	13,5	13
40	G 1 1/2	9150-008-113	9150-014-197	G 1 1/2	RH	136	230	62	28,5	-	-	38	46	153	G 1 1/2	55	79	73	16	19	8,7
	G 1 1/2	9150-008-114	9150-014-198	G 1 1/2	LH	136	230	62	28,5	-	-	38	46	153	G 1 1/2	55	79	73	16	19	8,7
	G 1 1/2	9150-008-117	9150-014-199	For Quick Connect Flange		136	230	62	12,7	47,37 47,27	45,09 44,99	22,2	38	-	167	G 1 1/2	55	79	73	16	19
50	G 2	9200-008-117	9200-014-119	G 2	RH	155	252	68	30	-	-	49	60	168	G 1 1/2	62	86	87	16	25,4	13,5
	G 2	9200-008-118	9200-014-120	G 2	LH	155	252	68	30	-	-	49	60	168	G 1 1/2	62	86	87	16	25,4	13,5
	G 2	9200-008-121	9200-014-122	For Quick Connect Flange		155	262	77	15,9	58,93 58,80	56,64 56,51	28,5	49	-	189	G 1 1/2	62	86	87	16	25,4

### Duoflow Rotating Union for Steam



**Type A**  
for short threaded supply pipe

**Type B**  
for long threaded supply pipe  
With additional brace nut for supply pipe. Use pipes as per DIN 2440 only.

**Type C**  
for rotating supply pipe with packing seals to avoid interpassage leakage.

\*\* Dimensions refer to page 25

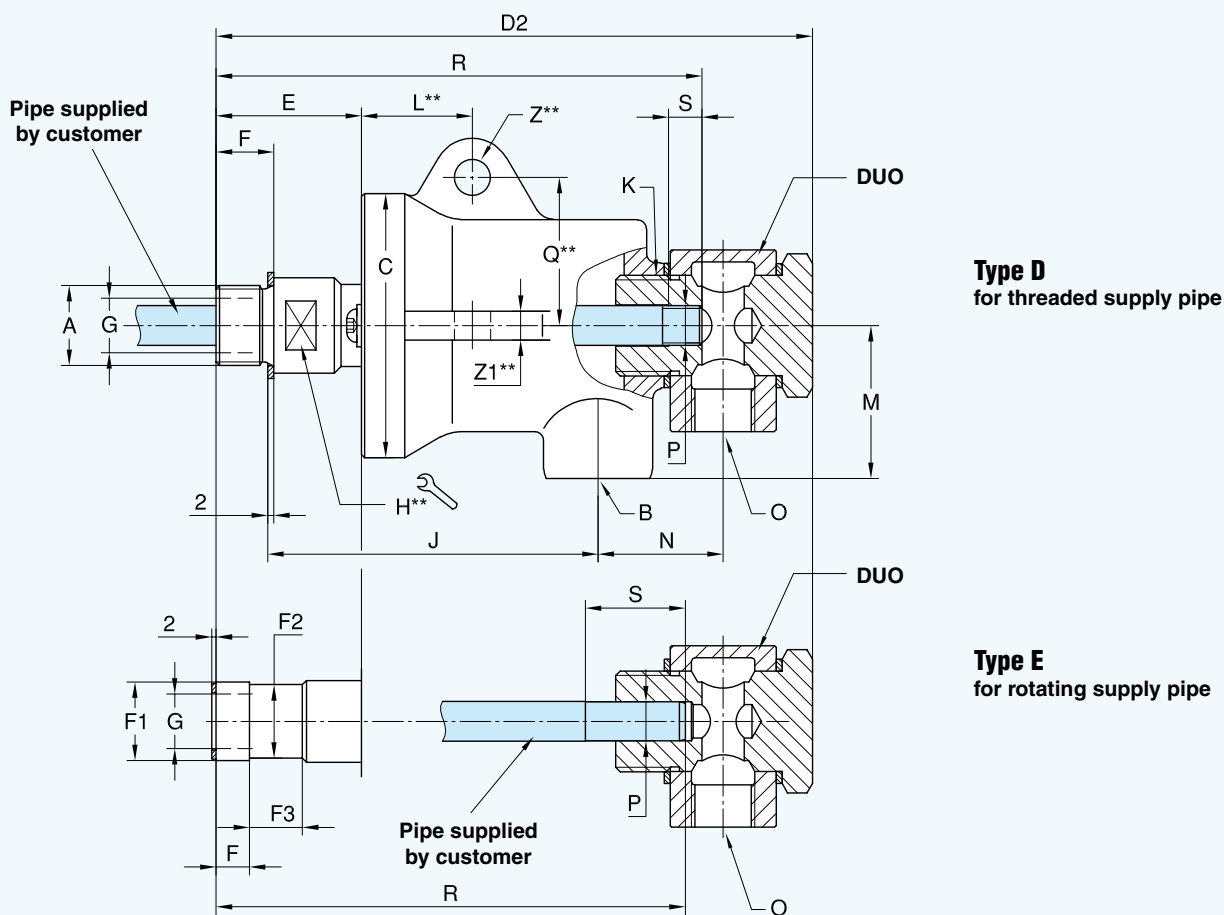
### Duoflow Rotating Union with Elbow for Steam

DN	B	O	Ordering No.	DUO *	Type	A Rotor Connections	C	D <sub>2</sub>	E	F	F <sub>1</sub>	F <sub>2</sub>	F <sub>3</sub>	G	J	K	M	N	P Pipe	Pipe DIN 2440	R	S	kg
							ø			ø PT	ø			ø									
20	G 3/4	Rp 1/2	9075-008-110	-600	A	G 3/4 RH	87	220	48	19	-	-	-	18	109	R 1	51	75	G 1/4	DN 8	181	12	2,8
			9075-008-111	-610	B	G 3/4 LH				19	-	-	-						G 1/4	DN 8	181	12	
			9075-008-117	-620	C	For Quick Connect Flange				11,1	26,0 25,9	24,25 24,15	17,5						ø 13 h9	DN 8	175	37	
25	G 1	Rp 1/2	9100-008-113	-600	A	G 1 RH	97	251	60	22	-	-	-	25,4	129	R 1	54	82	G 1/4	DN 8	210	12	4,1
			9100-008-112	-610	B					G 1 LH	22	-	-						-	G 3/8	DN 10	210	
			9100-008-112	-611	B	22					-	-	-						G 1/4	DN 8	210	12	
			9100-008-121	-621	C	For Quick Connect Flange				11,1	32,36 32,23	30,89 30,76	17,5						ø 16 h9	DN 10	206	32	
			9125-008-118	-600	A	G 1 1/4 RH				112	298	65	25,4						-	-	-	32	
9125-008-118	-601	A	25,4	-	-		-	G 3/4	DN 20				238	16									
9125-008-119	-610	B	G 1 1/4 LH	25,4	-	-	-	G 1/2	DN 15				238	14									
9125-008-119	-611	B		25,4	-	-	-	G 3/4	DN 20				238	16									
9125-008-126	-621	C	For Quick Connect Flange	12,7	41,0 40,9	39,65 39,55	19	ø 20 h9	DN 15				230	40									
40	G 1 1/2	Rp 3/4	9150-008-113	-600	A	G 1 1/2 RH	136	322	62	28,5	-	-	-	38	153	R 1 1/2	79	114	G 1/2	DN 15	262	14	9,5
			9150-008-113	-601	A					28,5	-	-	-						G 3/4	DN 20	262	16	
			9150-008-114	-610	B	G 1 1/2 LH				28,5	-	-	-						G 1/2	DN 15	262	14	
			9150-008-114	-611	B					28,5	-	-	-						G 3/4	DN 20	262	16	
			9150-008-117	-621	C	For Quick Connect Flange				12,7	47,37 47,27	45,09 44,97	22,5						ø 26 h9	DN 20	255	35	
50	G 2	Rp 3/4	9200-008-117	-600	A	G 2 RH	155	345	68	30	-	-	-	49	168	R 1 1/2	87	121	G 1/2	DN 15	284	14	14,3
			9200-008-117	-601	A					30	-	-	-						G 3/4	DN 20	284	16	
			9200-008-118	-610	B	G 2 LH				30	-	-	-						G 1/2	DN 15	284	14	
			9200-008-118	-611	B					30	-	-	-						G 3/4	DN 20	284	16	
			9200-008-121**	-621	C	For Quick Connect Flange				15,9	58,93 58,80	56,64 56,51	22,2						ø 26 h9	DN 20	276	35	

\* Adhering to the same DN size, all unions can be combined with their respective elbows

\*\* R dimension add 9 mm each

### Duoflow Rotating Union for Hot Oil



\*\* Dimensions refer to page 25

### Duoflow Rotating Union with Elbow for Hot Oil

DN	B	O	Ordering No.	DUO *	Type	A Rotor Connections		C	D2	E	F	F1	F2	F3	G	J	K	M	N	P Pipe	Pipe DIN 2440	R	S	kg
								ø				ø PT	ø		ø									
20	G 3/4	G 1/2	9075-014-126	-500	D	G 3/4	RH	87	194	45	19	-	-	-	18	106	G 1	51	40	G 1/4	DN 8	157	11	3
			G 3/4			LH	19				-	-	-	106										
			9075-014-128	-510	E	For Quick Connect Flange					11,1	26,0 25,9	24,25 24,15	17,5	112	ø 13 h13				DN 8	150	30		
25	G 1	G 1/2	9100-014-211	-501	D	G 1	RH	97	225	58	22	-	-	-	25,4	127	G 1	54	48	G 3/8	DN 10	188	13	4,2
			G 1			LH	22				-	-	-	127										
			9100-014-213	-511	E	For Quick Connect Flange					11,1	32,36 32,23	30,89 30,76	17,5	136	ø 16 h13				DN 10	180	30		
32	G 1 1/4	G 3/4	9125-014-137	-500	D	G 1 1/4	RH	112	246	58	25,4	-	-	-	32	133	G 1 1/2	66	58	G 1/2	DN 15	205	16	7,1
			G 1 1/4			LH	25,4				-	-	-	133										
			9125-014-141	-514	E	For Quick Connect Flange					12,7	41,0 40,9	39,65 39,55	19	143	ø 20 h13				DN 15	199	40		
40	G 1 1/2	G 3/4	9150-014-197	-501	D	G 1 1/2	RH	136	273	58	28,5	-	-	-	38	149	G 1 1/2	79	65	G 3/4	DN 20	230	19	9,6
			G 1 1/2			LH	28,5				-	-	-	149										
			9150-014-199	-512	E	For Quick Connect Flange					12,7	47,37 47,27	45,09 44,97	22,5	163	ø 26 h13				DN 20	233	45		
50	G 2	G 1	9200-014-119	-503	D	G 2	RH	155	302	68	30	-	-	-	49	168	G 1 1/2	87	73	G 1	DN 25	257	22	15
			G 2			LH	30				-	-	-	168										
			9200-014-122**	-515	E	For Quick Connect Flange			311	77	15,9	58,93 58,80	56,64 56,51	22,2	189	ø 32 h13				DN 25	262	45		

\* Adhering to the same DN size, all unions can be combined with their respective elbows

\*\* R dimension add 9 mm each