



# DEUBLIN

## Rotating Union for General Purposes, DN 65

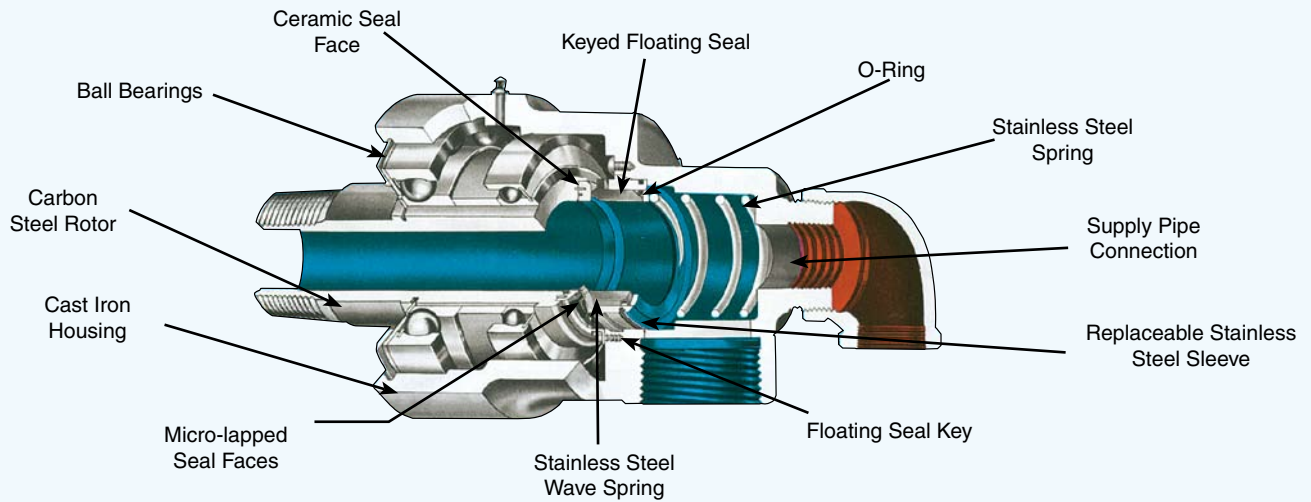
- monoflow and duoflow design
- self-supported rotating union
- radial housing connection
- balanced mechanical seal:  
Carbon Graphite/Ceramic - standard;  
Tungsten Carbide/Ceramic - E.L.S. (Extended Life Sealing)
- 4 vent holes
- cast iron housing
- steel rotor
- special options:  
nickel-plated design  
threaded vent holes
- Lubrication Guide page 52

### Operating Data

Max. Water Pressure*	200 PSI	14 bar
Max. Sat. Steam Pressure (Intern.)	14 PSI	1 bar
Max. Speed	750 RPM	750 min <sup>-1</sup>
Torque at 120 PSI/8 bar	4 FT.LBS	5,4 Nm
Max. Temperature	120 °C	> 120 °C consult DEUBLIN

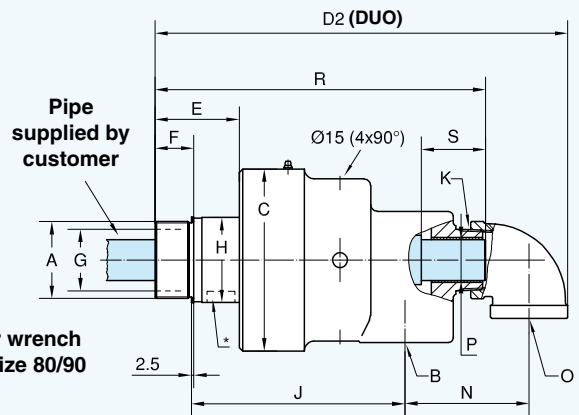
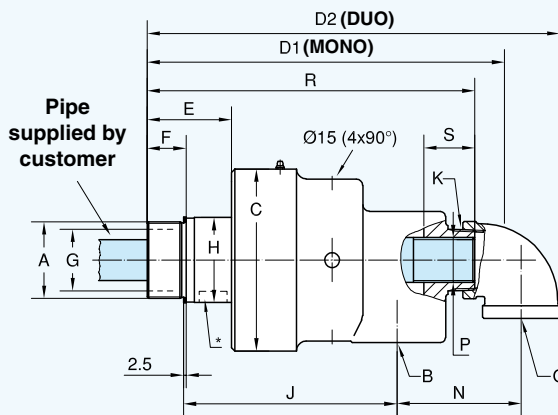
\* Pressures exceeding 8 bars only permissible with cold water (50°C max.)

For further information please contact **DEUBLIN** or your local representative.



### Duoflow Rotating Union for Threaded Supply Pipe

### Duoflow Rotating Union for Rotating Supply Pipe



\*) Slot for spanner wrench as per DIN 1810, size 80/90

DN	B NPT	O NPT	Ordering No.		A Rotor Connections	C ∅	D1	D2	E	F	G ∅	H ∅	J	K NPT	N	P Pipe	R	S	kg
			STD	E.L.S.															
65	2 1/2	1 1/4	755-700-330-117+	755-701-330-117+	G 2 1/2 RH	178	336	381	82	38	60,3	83	208	2	108	1 NPT	308	13	20
	2 1/2	1 1/4	755-700-411-117+	755-701-411-117+	G 2 1/2 LH	178	336	381	82	38	60,3	83	208	2	108	1 NPT	308	13	20
	2 1/2	1 1/2	755-707-330-139+	755-731-330-139+	G 2 1/2 RH	178	336	391	82	38	60,3	83	208	2	112	G 1 1/2	320	45	20
	2 1/2	1 1/2	755-707-411-139+	755-731-411-139+	G 2 1/2 LH	178	336	391	82	38	60,3	83	208	2	112	G 1 1/2	320	45	20
	2 1/2	1 1/2	755-732-330-139+	755-733-330-139+	G 2 1/2 RH	178	-	391	82	38	60,3	83	208	2	112	∅ 39,9 h 13	328	70	20
	2 1/2	1 1/2	755-732-411-139+	755-733-411-139+	G 2 1/2 LH	178	-	391	82	38	60,3	83	208	2	112	∅ 39,9 h 13	328	70	20

+ For Monoflow design omit -117 or -139 suffix