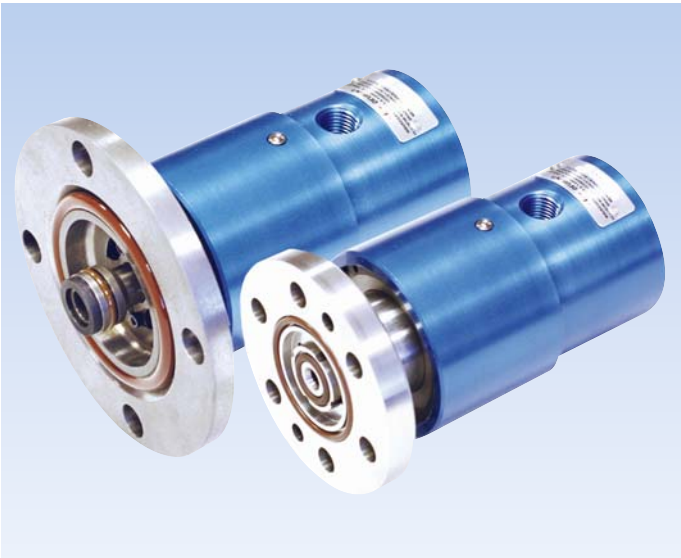


DEUBLIN

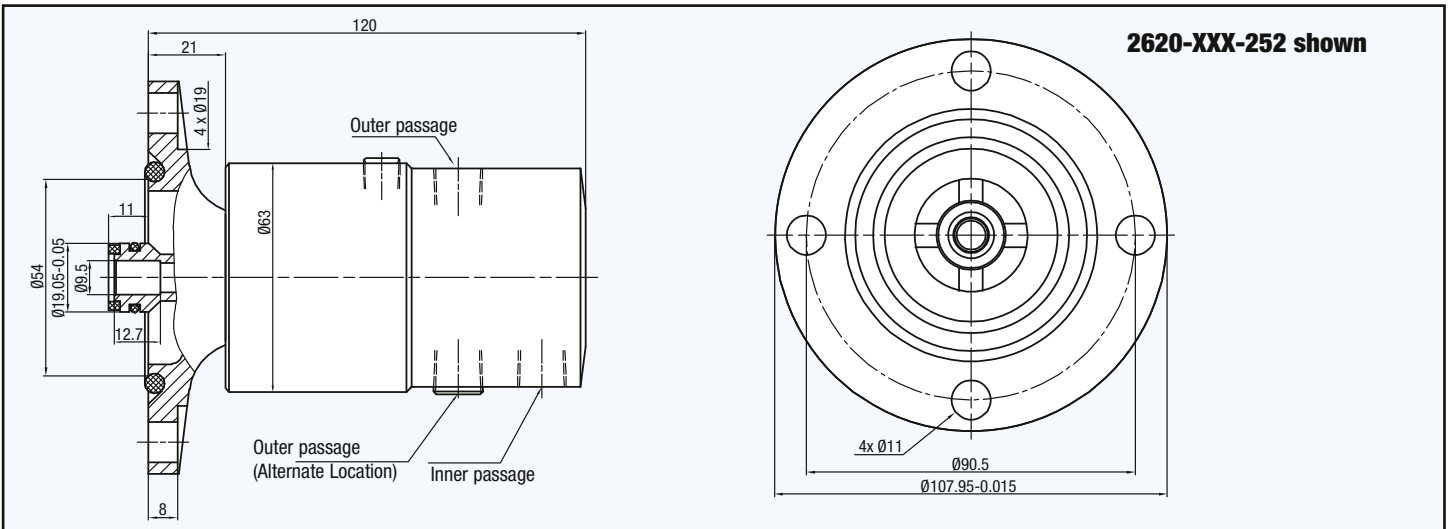
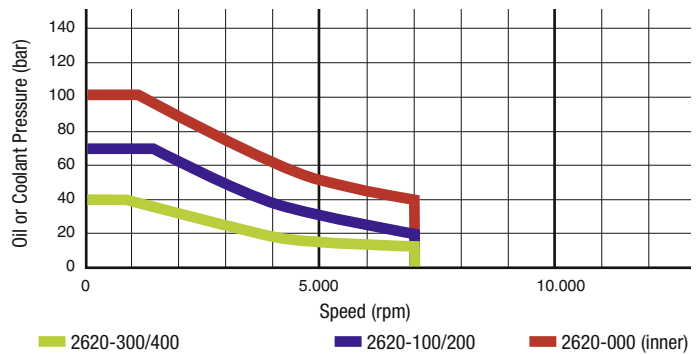
2620 Series 2-Passage Rotating Unions for Various Media

- Two independent passages for applications such as clamping and unclamping
- Balanced mechanical seals for each passage provide long life and reduced torque even at maximum pressure
- Closed seals provide continuous containment of media
- Dual precision ball bearings for smooth operation
- Labyrinth protection for ball bearings
- Mountings options are compatible with *DEUBLIN* 2520 or 1579 series unions



Operating Data

Max. Pressure	see chart/table	
Max. Flow (per passage)	18.2 GPM	69 l/min
Max. Speed	7,000 RPM	7,000 min ⁻¹
Max. Temperature	71 °C	> 71 °C consult DEUBLIN
Filterung	ISO 4406 Class 17/15/12, max. 60 micron	



With Ø 108 mm flanged rotor		With Ø 88 mm flanged rotor		With Ø 81 mm flanged rotor		Inner Passage		Outer Passage		Notes
Ordering Number	Supply Connections	Ordering Number	Supply Connections	Ordering Number	Supply Connections	Media	Max. Pressure [bar]	Media	Max. Pressure [bar]	
	Inner and outer Passage		Inner Passage		Outer Passage					Inner and outer Passage
2620-000-252	1/4 NPT	2620-002-940	G 1/4 G 1/4	2620-000-157	1/4 NPT	Hydraulic oil	100	Hydraulic oil	30	
2620-100-252	1/4 NPT	2620-102-940	G 3/8 G 1/8	2620-100-157	1/4 NPT	Hydraulic oil	70	Air	6	Air seals may be lubricated through oil cup or by using oiled air.
2620-120-252	1/4 NPT	2620-122-940	G 3/8 G 1/8	2620-120-157	1/4 NPT	Hydraulic oil	70	Air	10	
2620-200-252	1/4 NPT	2620-202-940	G 3/8 G 1/8	2620-200-157	1/4 NPT	Coolant	70	Air	6	
2620-220-252	1/4 NPT	2620-222-940	G 3/8 G 1/8	2620-220-157	1/4 NPT	Coolant	70	Air	10	
2620-300-252	1/4 NPT	2620-302-940	G 1/4 G 1/4	2620-300-157	1/4 NPT	Air	6	Hydraulic oil	40	Air seals require no external lubrication.
2620-320-252	1/4 NPT	2620-322-940	G 1/4 G 1/4	2620-320-157	1/4 NPT	Air	10	Hydraulic oil	40	
2620-400-252	1/4 NPT	2620-402-940	G 1/4 G 1/4	2620-400-157	1/4 NPT	Air	6	Coolant	40	
2620-420-252	1/4 NPT	2620-422-940	G 1/4 G 1/4	2620-420-157	1/4 NPT	Air	10	Coolant	40	
2620-500-252	1/4 NPT	2620-502-940	G 3/8 G 1/8	2620-500-157	1/4 NPT	Air	6	Air	6	Consult <i>DEUBLIN</i> regarding maximum speed.
2620-520-252	1/4 NPT	2620-522-940	G 3/8 G 1/8	2620-520-157	1/4 NPT	Air	10	Air	10	