



DEUBLIN

Rotating Union

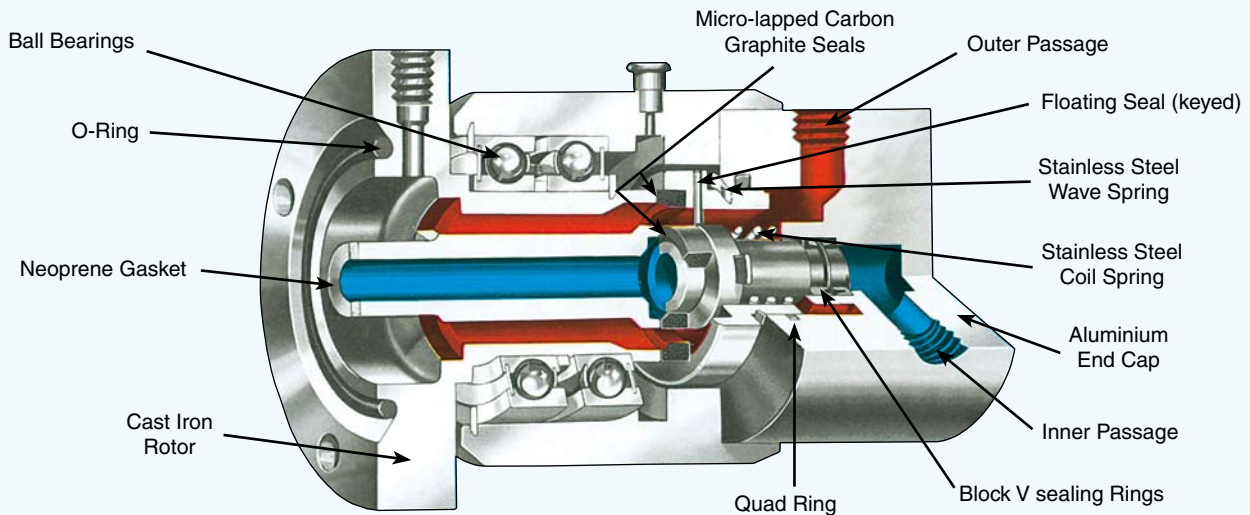
DEU-PLEX for Air Service, DN 10

- duoflow design
- self-supported rotating union
- flange rotor
- radial housing connections
- low torque
- double-balanced mechanical seal
- full-media flow
- aluminium housing
- cast iron rotor
- Lubrication Guide page 52

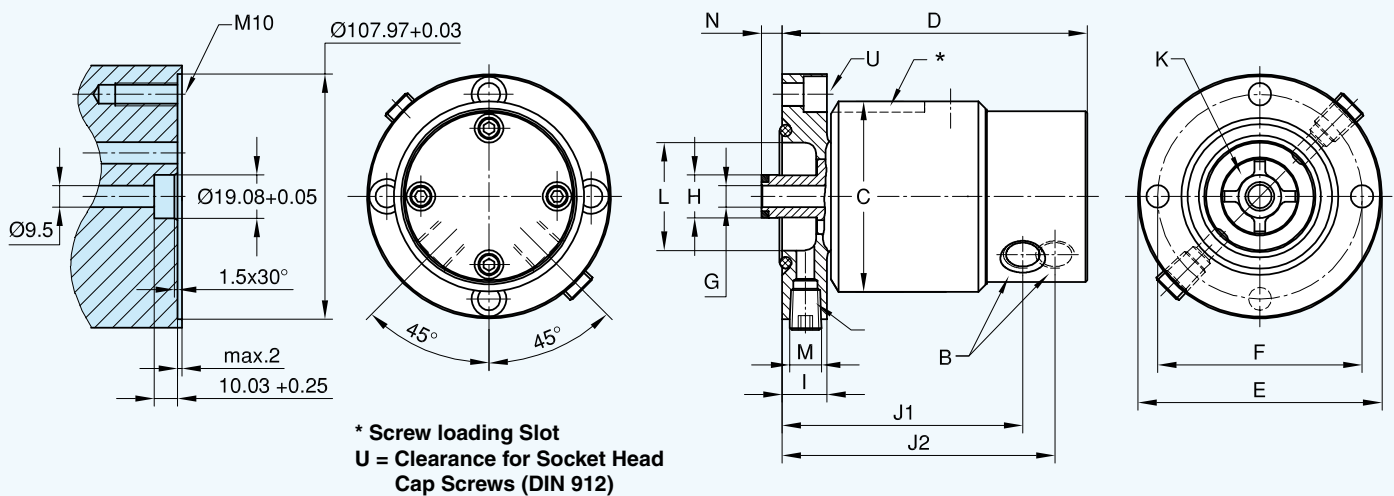
For further information please contact **DEUBLIN** or your local representative.


Operating Data

Max. Air Pressure	150 PSI	10 bar
Max. Vacuum	2 "Hg	7 kPa
Max. Speed	1,500 RPM	1.500 min ⁻¹
Max. Temperature	120 °C	> 120 °C consult DEUBLIN



Customer's Shaft End



DN	B NPT	Ordering No.	C ø	D	E ø PT	F ø	G mm ²	H ø	I	J1	J2	K mm ²	L ø	M NPT	N	U Screws DIN 912	
2 x 10	2 x 3/8	1500-250	84	135	107,95 107,92	90,5	71	19,05 19,00	20	106	121	150	48	2 x 1/4	11,2	M10	3