



DEUBLIN

Rotating Union

Multi-Passage for a Variety of Media and Pressures, DN 10 and 15

- 4-passage design
- self-supported rotating union
- flange rotor
- drain passage between channel 2 and 3 prevents interpassage leakage
- carbon-filled teflon seals
- hardened sealing surface
- brass housing
- stainless steel rotor
- special options:
5-passage rotating union with central passage
stainless steel housing

Operating Data

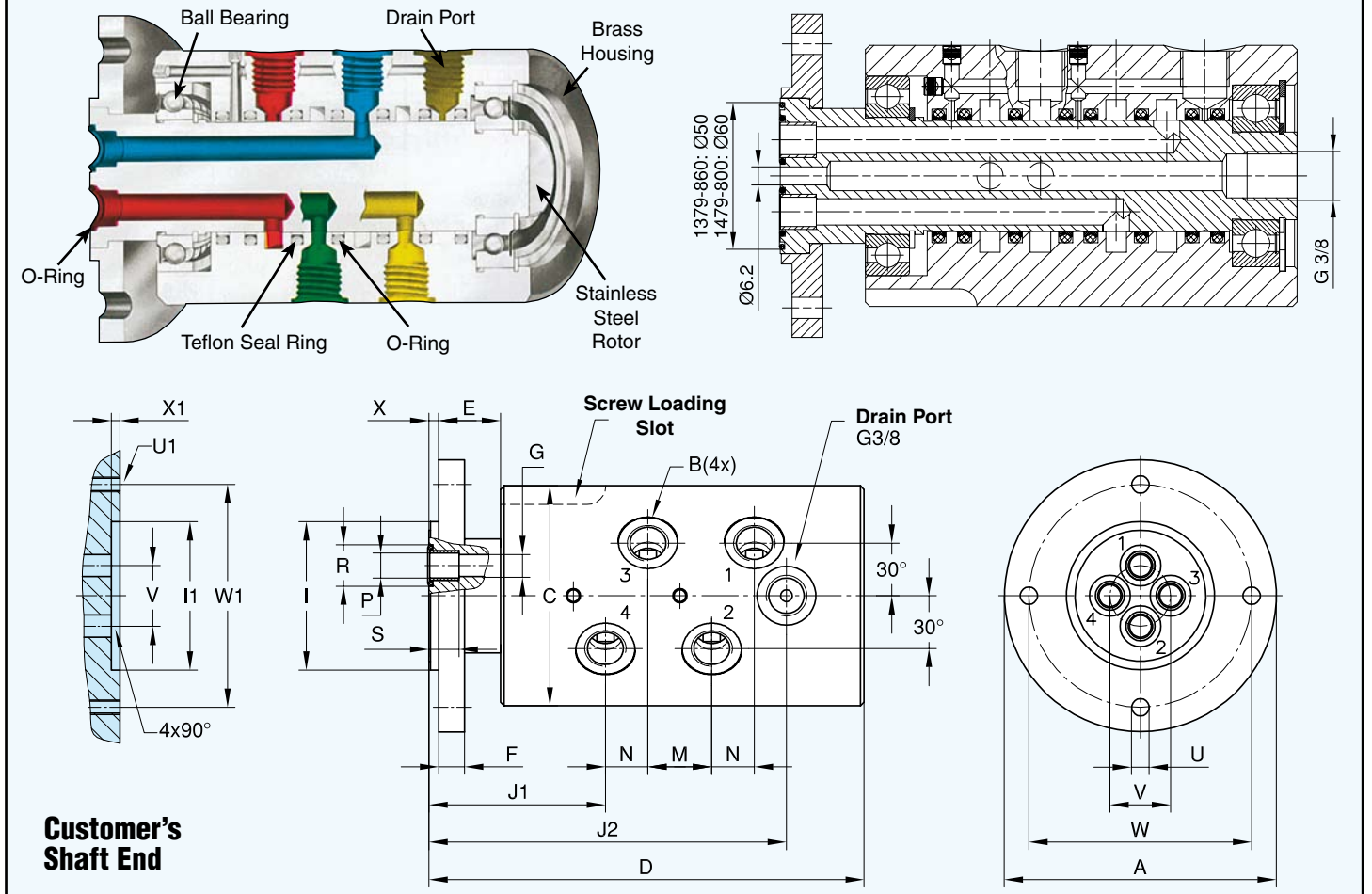
Max. Air Pressure	150 PSI	10 bar
Max. Vakuum	2 "Hg	7 kPa
Max. Hydraulic Pressure	870 PSI	60 bar
Max. Speed (short-term)*	250 RPM	250 min ⁻¹

* At no rotation or slow speeds up to 10 RPM, e.g. on index tables

Max. Hydraulic Pressure	3,630 PSI	250 bar
Max. Temperature	80 °C	> 80 °C consult DEUBLIN

For further information please contact **DEUBLIN** or your local representative.

5-Passage Design



DN	B	Ordering No.	A ø	C ø	D	E	F	G ø	I ø PT	I1 ø PT	J1	J2	M	N	P ø	R ø	S	U ø	U1 ø	V ø	W ø	X	X1 ø	W1 ø	kg
4x 10	4x G 3/8	1379-160	110	88	176	25	10,5	9	60,000 59,981	60,060 60,030	72	144,5	26	17	12,05 12,00	16,7	12	7,2	M6 4x90°	24,5	90	4	3,5	90	7,6
4x 10 + centr. pass.	4x G 3/8	1379-860	110	88	176	25	10,5	9	60,000 59,981	60,060 60,030	72	144,5	26	17	12,05 12,00	16,7	12	7,2	M6 4x90°	24,5	90	4	3,5	90	7,6
4x 15	4x G 1/2	1479-100	130	108	202	25	13,5	13	75,000 74,981	75,060 75,030	81	172	31	23	15,05 15,00	19,7	15	9	M8 4x90°	29	110	4	3,5	110	12,7
4x 15 + centr. pass.	4x G 1/2	1479-800	130	108	202	25	13,5	13	75,000 74,981	75,060 75,030	81	172	31	23	15,05 15,00	19,7	15	9	M8 4x90°	29	110	4	3,5	110	12,7