

# Mechbalancer

Catalogue

60201A

EN



<b>Contents</b> .....	<b>Page</b>
<b>Basic model</b> .....	<b>4</b>
<b>Control unit</b> .....	<b>5</b>
<b>Tool Adapter</b> .....	<b>6</b>

Although the greatest care was taken regarding the information in this catalogue, we assume no responsibility for any errors. We reserve the right to make changes.

ILLUSTRATIONS – The illustrations in the catalogue represent the described products, but the delivered goods may differ in some respects from the illustrations.

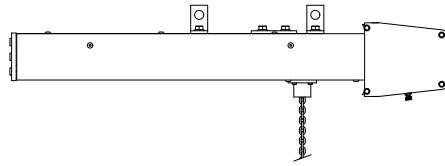
SPECIFICATIONS – The right is reserved to make changes in design and dimensions compared with the information in the catalogue in order not to prevent development of designs, material and manufacturing methods.

The customer is reminded that in the purchase of Movomech's products for application on the job or elsewhere, there is supplementary, current information that could not be included in the catalogue in terms of recommendations on each product's suitability regarding different combinations of Movomech's comprehensive product line.

All relevant information must be provided to the persons who are responsible for the application of the product.

# How to order...

Basic model



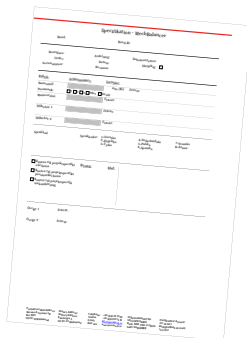
Control unit



Tool adapter

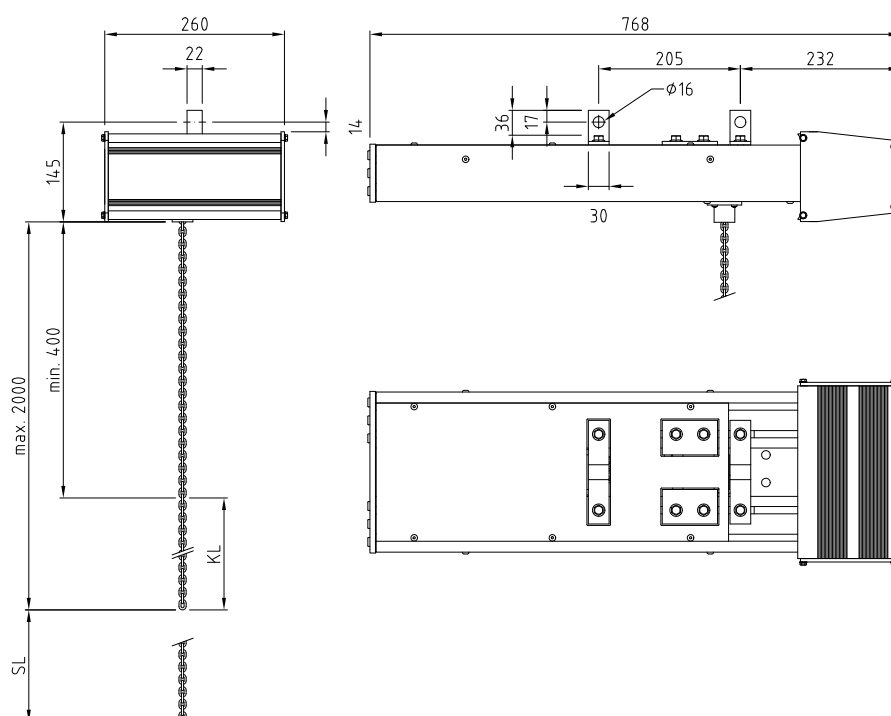


Specification



## Base model

Article		735426
Load capacity	Kg	50
Length of stroke (SL)	mm	1500
Hoisting speed	m/min	0-40
Chain	mm	3*9
Maximum tare weight	Kg	<20
Medium		Air, non-lubricated
Working pressure	Bar	5,5
Air consumption	Ln/min	300
Working temperature	°C	5-40
Noise level	dB (A)	<70
Other		Direct drive



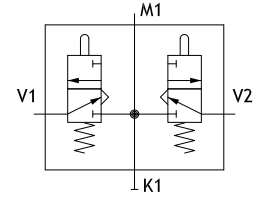
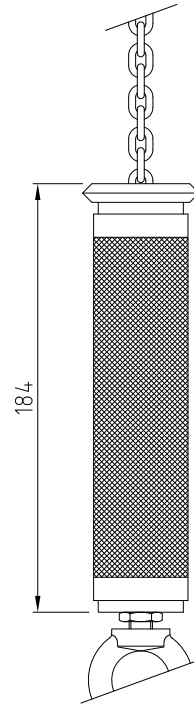
### INFORMATION

For further information, contact Movomech

## Control unit

Article	734935
Base model	735426

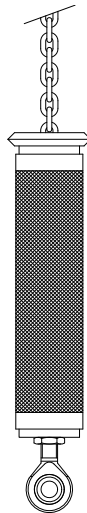
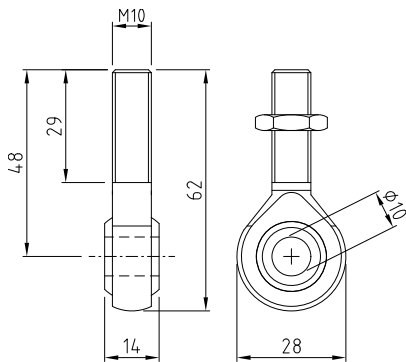
"Speed handle"



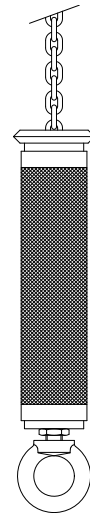
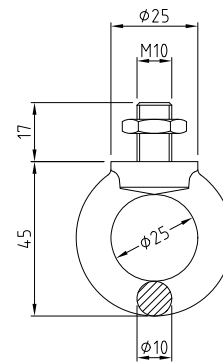
## Tool adapter

Article	735440	735441
Control unit	734935	734935

735440



735441



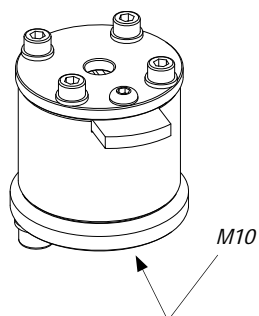
### INFORMATION

For further information, contact Movomech

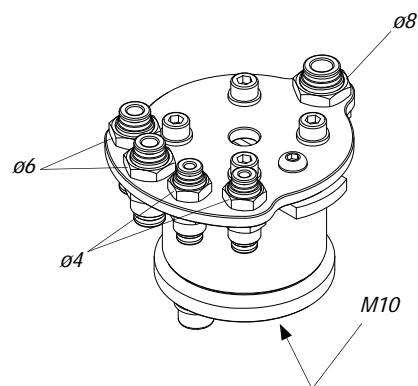
# Tool adapter

Article	736455	736459	736450
Adapter	M10	M10	ø27

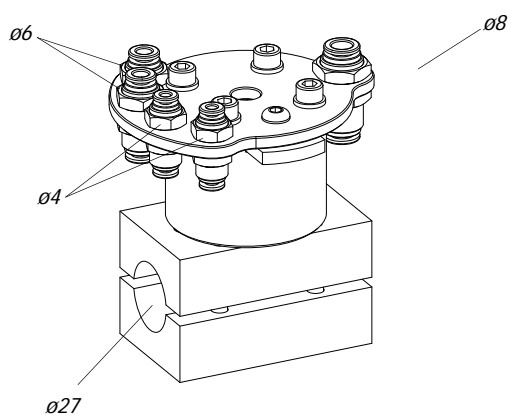
736455



736459



736450



## INFORMATION

For further information, contact Movomech



**Movomech AB**

Kabelvägen 9  
SE-291 62 Kristianstad  
SWEDEN

Phone +46 44 282 900

Fax +46 44 282 928

E-mail [info@movomech.se](mailto:info@movomech.se)

Web [www.movomech.com](http://www.movomech.com)

