



**Multi-use device
reduces installation space
and makes maintenance easy**

- Flange dimensions according to DIN 24557 T2
- Breather filter with integrated level and temperature monitoring
- Filling port with quick coupling device
- Sample port with quick coupling device
- Optical monitoring of the breather filter optional

Technical Data

FC-Terminal

Basic

Operating pressure max.	1 bar
Operating temperature max.	80 °C
Dimensions L (mm)*	280, 370, 500 (standard) variable (max 1420)
Weight at L=500 mm	approx. 5 kg

* Please note that the dimensions L for filling port and selected level switch must match each other!

Material

Stilling tube	brass
Flange	steel

Option 1

Sample port	
Hose coupling (DN 5)	PSK
MINIMESS coupling (M16)	PMM

Option 2

Filling port	
Type: Walther (DN 19)	BWA
Type: Stäubli (DN 11)	BST
Plug	BBS

Option 3

Clogging indicator	
Vacuum switch (electr.)	VUS
Plug	VBS

General note

The fluidcontrolterminal is always composed of two parts. First part is the filling port described in this data sheet and the second part is the level switch. An overview of appropriate level switches is given on page 3. Please refer to the corresponding data sheet of the level switch for detailed information. The following example gives a hint for ordering a specified configuration.

Ordering example:

You need: A **filling port**, length L = 370 mm, with MinimeSS coupling, filling port type Walther and electronic vacuum switch.

The **level switch** should be of type Nivovent 74 made of brass, length 370 mm, connector M12, one level contact at L1 = 190 mm as normally open contact (NO), one temperature contact at 60 °C as normally closed contact (NC) and breather filter with optical clogging indicator.

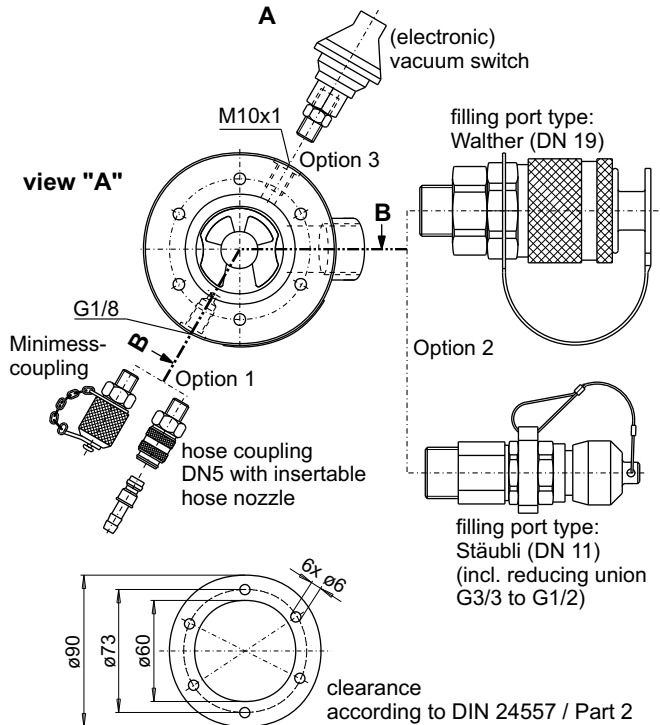
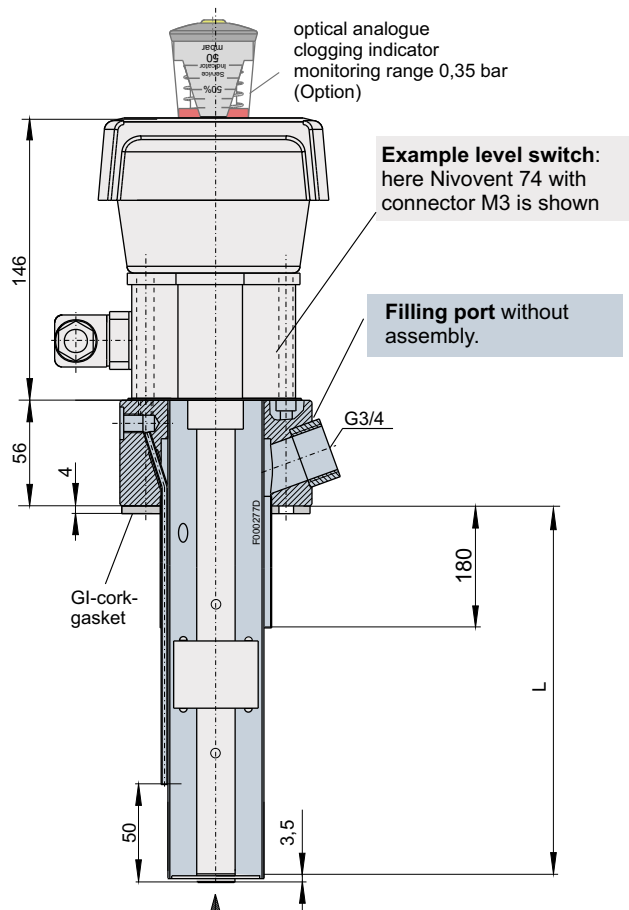
You order: Fluidcontrolterminal composed of:

Filling port
FC-T-G3/4-370-PMM-BWA-VUS

and level switch (refer to page 3)

NV 74-HY-MS-M12/370-1K-TK60NC-FCT-VS

L1 = 190 mm NC



Product code for Fluidcontrolterminal

FCT-G3/4

Length (max. 1420 mm)

280

370

500

variable (please specify)

Option 1

PSK	hose coupling (DN 5)
PMM	MinimeSS coupling (M16)

Option 2

BWA	type: Walther (DN 19)
BST	type: Stäubli (DN 11)
BBS	plug

Option 3

VUS	vacuum switch (electr.)
VBS	plug

Level switch: NV 74-FCT for Fluidcontrolterminal
- For technical data please refer to data sheet DE 10 0205

- Hydac breather filter
- quick and easy adjustable level contacts
- plug in plug system
- up to 4 contacts
- bi-metal contacts, Pt 100 or 4-20 mA signal output for temperature
- **NV 74D equipped with display and control unit**
- easy operation via 3 keys
- good visible LED display
- up to 4 programmable temperature switching outputs
- optional continuous temperature output signal, programmable 4-20 mA, 0-10 V or 2-10 V

easyjust



Level switch: NV 71-FCT for Fluidcontrolterminal
- For technical data please refer to data sheet DE 10 0204

- Hydac breather filter
- Level and/or temperature control
- up to 4 contacts
- 230 V applicable
- bi-metal contacts, Pt 100 or 4-20 mA signal output for temperature
- **NV 71D equipped with display and control unit**
- easy operation via 3 keys
- good visible LED display
- up to 4 programmable temperature switching outputs
- optional continuous temperature output signal, programmable 4-20 mA, 0-10 V or 2-10 V



Level switch: NV 73-FCT for Fluidcontrolterminal
- For technical data please refer to data sheet DE 10 0206

- **continuous level measurement**
- Hydac breather filter
- alternatively with continuous temperature measurement, 4-20 mA output
- resolution 5 mm
- diverse connectors
- immersion depth up to 1420 mm (longer upon request)



Level switch: NV 77-XP-FCT for Fluidcontrolterminal
- For technical data please refer to data sheet DE 10 0203

- **continuous level measurement**
- Hydac breather filter
- 4-20 mA output
- resolution 5 mm
- immersion depth up to 1420 mm
- **display and control unit**
- 4 switching outputs programmable as level or temperature output
- alternatively 2 switching outputs programmable as level or temperature output plus 1 analogue output each for continuous analogue output for level and temperature control
- analogue output programmable as 4-20 mA, 0-10 V, 2-10 V or 0-5 V
- display of actual values for level or temperature switchable

