



NDP-20 Series Specifications

Port Dimensions

Intake & discharge connection:

Polypropylene (PPG) 3/4" 20 mm Female BSPT

Aluminum (ADC-12) 3/4" 20 mm Female BSPT

Stainless Steel (316) 3/4" 20 mm Female BSPT

Air inlet (incl. ball valve): 1/4" 20 mm Female BSPT

Air exhaust (incl. silencer): 3/4" 20 mm Female BSPT

DIN & ANSI Flange also available - consult Yamada.

Maximum Liquid Temperature*

Diaphragm Material	Temperature
Neoprene	82° C (180° F)
Buna N	82° C (180° F)
EPDM	100° C (212° F)
Hytrel® (TPEE)	120° C (248° F)
Santoprene® (TPO)	100° C (212° F)
Viton® fluoroelastomer	120° C (248° F)
Teflon® (PTFE)	100° C (212° F)

*The maximum liquid temperature for metal and Kynar®-fitted pumps is determined by the Elastomer (diaphragm material). Polypropylene and Groundable Acetal pumps have a maximum liquid temperature of 82° C (180° F) regardless of diaphragm material.

Air Supply Pressure (All Models)

1,4 - 7 BAR (20 - 100 PSI)

Discharge Volume Per Cycle

Rubber diaphragm: 615 cc (0.163 US gallons)

PTFE diaphragm : 539 cc (0.143 US gallons)

Maximum Cycles Per Minute:

Rubber diaphragm: 195

PTFE: diaphragm: 195

Maximum Size Solid

2.0 mm (1/16")

Maximum Dry Suction Lift

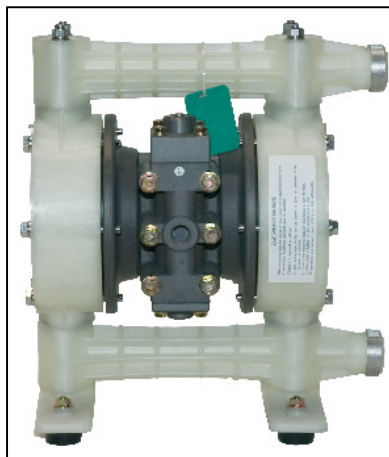
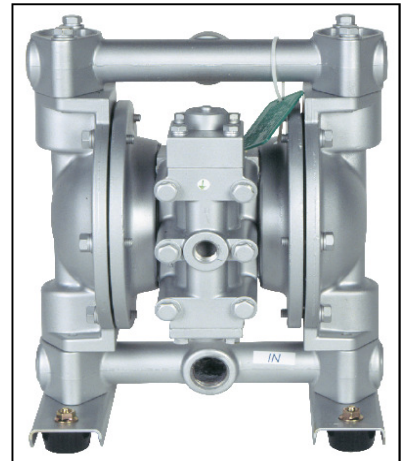
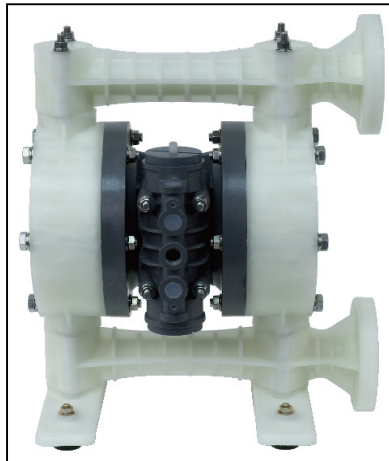
Rubber-fitted pump capability: 5.5 m (18 feet)

Air Motors

Aluminum air motors are standard on metal pumps; glass-filled polypropylene air motors are standard on plastic pumps.

Optional air motors: Epoxy - coated, Teflon® - coated, Electroless Nickel Plate, aluminum and glass-filled polypropylene.

Notes: Hytrel®-fitted pumps include PTFE check Balls & wetted o-rings. Santoprene®-fitted pumps include EPDM check balls & wetted o-rings.



Aluminum

Dimensions: 249mm W x 320mm H

Net Wt.: 9 kg (19,8 lbs.)

Shipping Wt.: 10,4 kg (23 lbs.)

Stainless Steel

Dimensions: 249 mm W x 320 mm H

Net Wt.: 13,9 kg (30,8 lbs.)

Shipping Wt.: 14,5 kg (32 lbs.)

Polypropylene (BSPT)

Dimensions: 316mm W x 368mm H

Net Wt.: 8,2 kg (17.6 lbs.)

Shipping Wt.: 10,2 kg (22.6 lbs.)

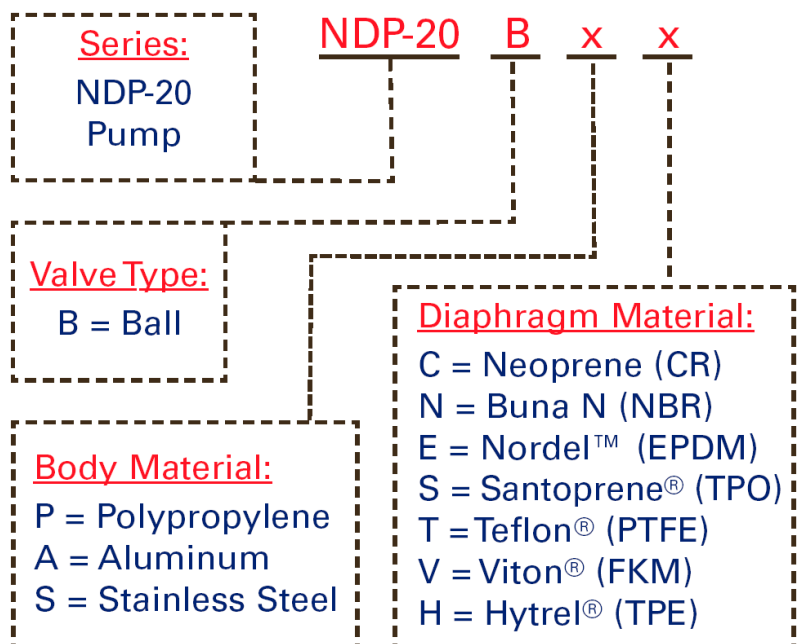
Polypropylene - DIN Flange

Dimensions: 316mm W x 375mm H

Net Wt.: 8,2 kg (17.6 lbs.)

Shipping Wt.: 10,2 kg (22.6 lbs.)

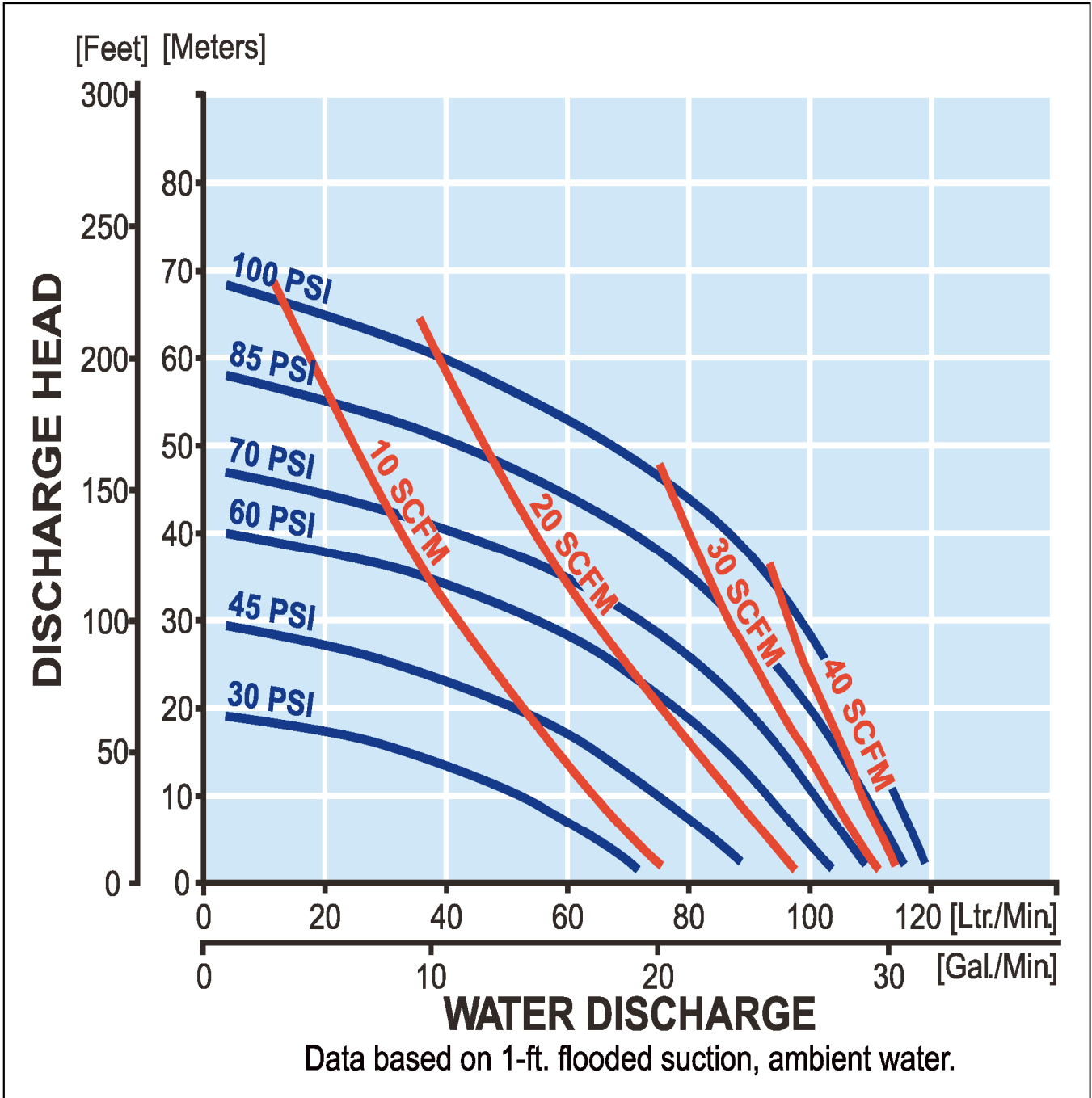
Model Number Nomenclature





NDP-20 Performance Curve - Rubber

All Diaphragm Materials

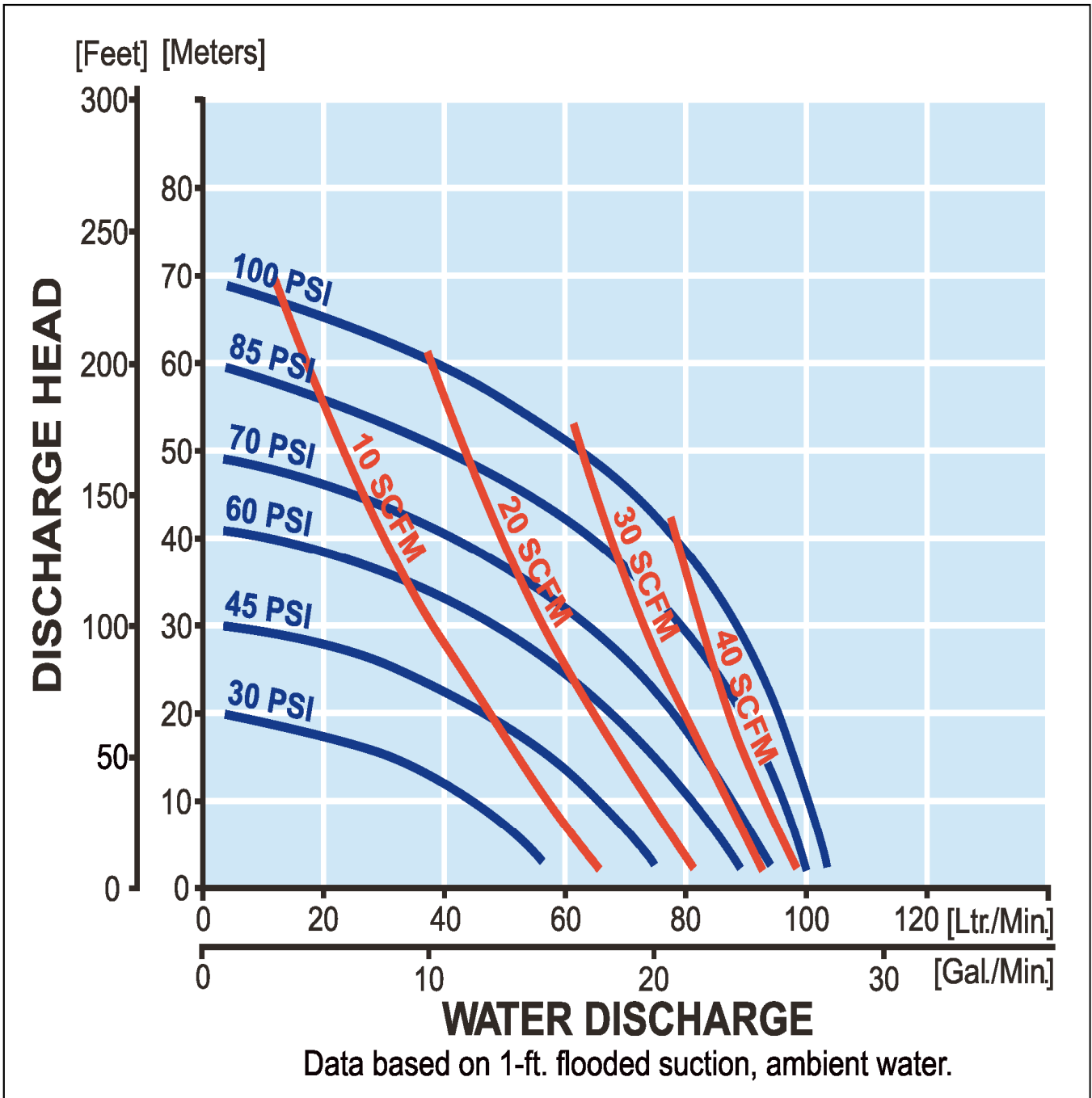


To calculate performance for Santoprene® and Hytrel®-fitted pumps, use Rubber Diaphragm Curve.

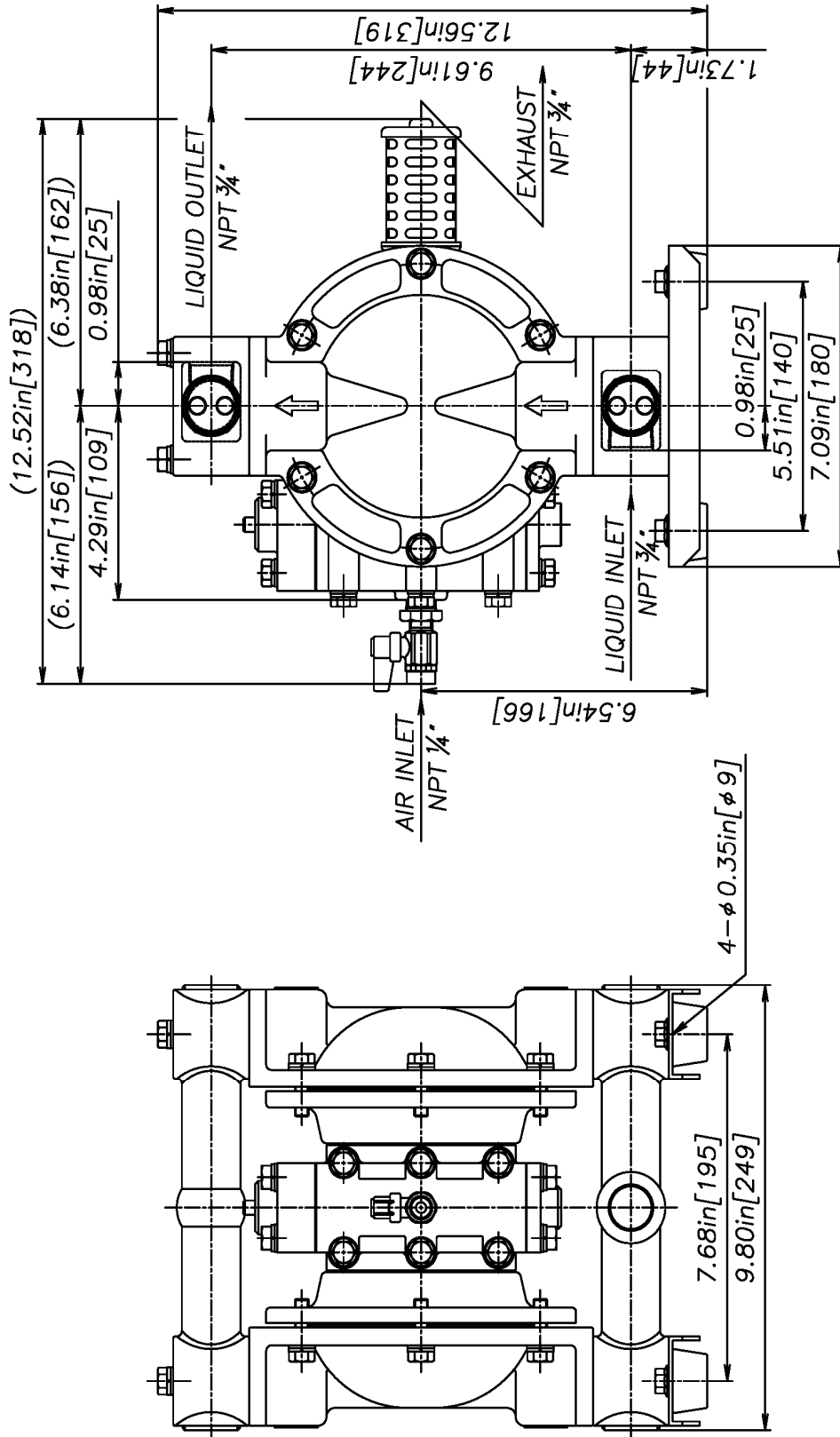


NDP-20 Performance Curve - PTFE

All Diaphragm Materials



To calculate performance for Santoprene® and Hytrel®-fitted pumps, use Rubber Diaphragm Curve.

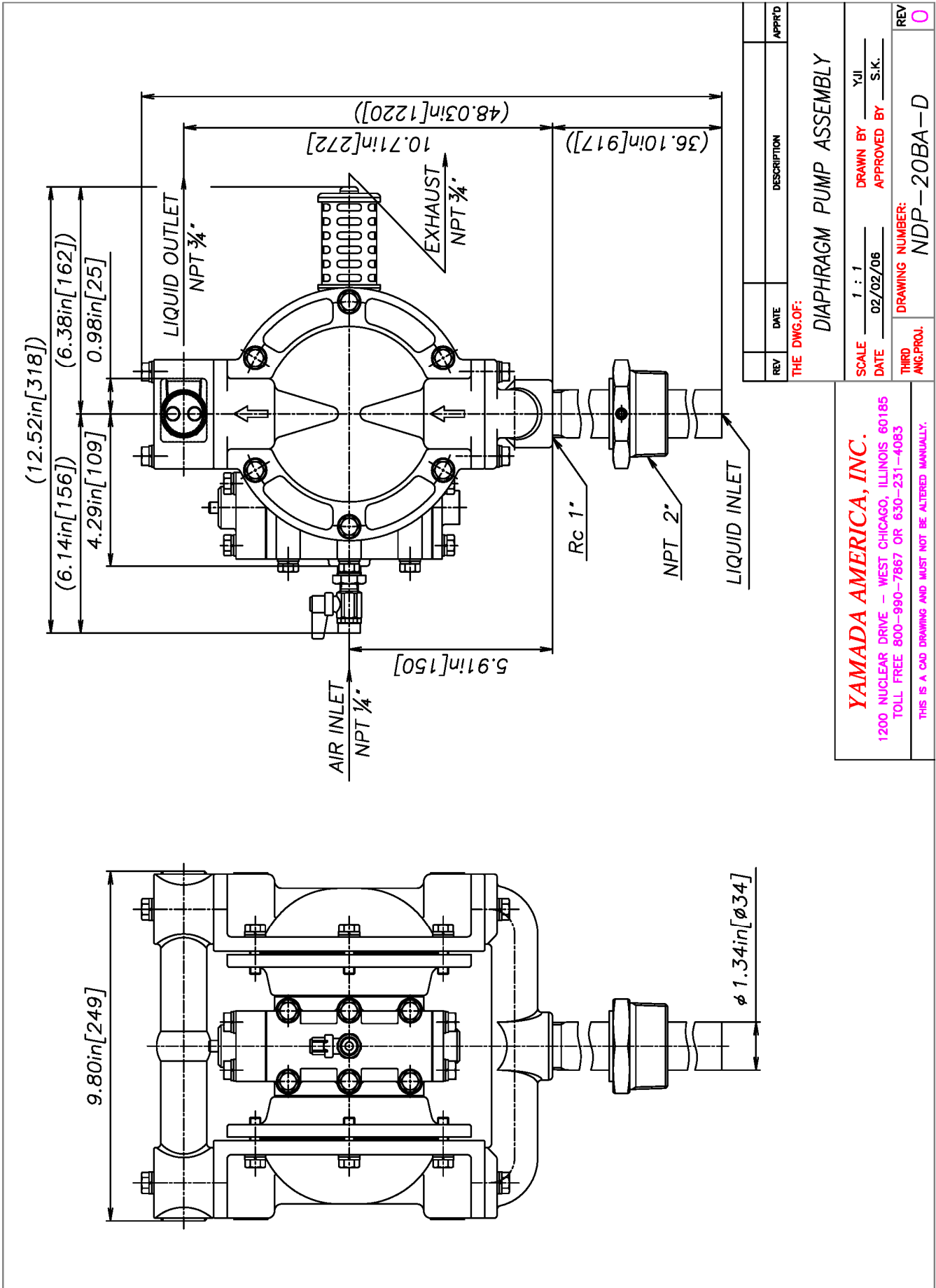


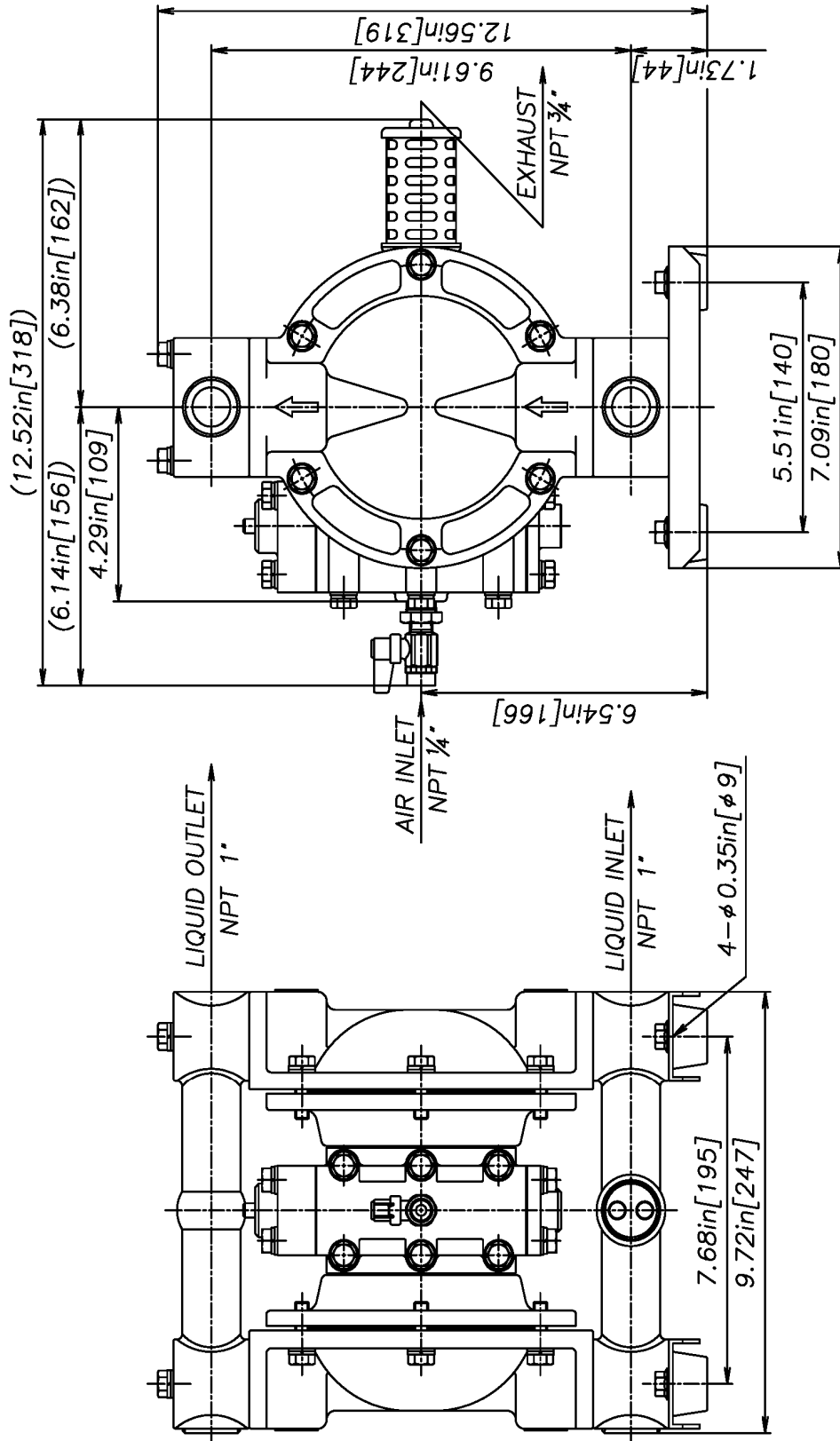
REV	DATE	DESCRIPTION	APPR'D
THE DWG. OF:			
DIAPHRAGM PUMP ASSEMBLY			
SCALE	1 : 1	DRAWN BY	Yuj
DATE	02/02/06	APPROVED BY	S.K.
THIRD ANG. PROJ.	DRAWING NUMBER:	NDP-20BA	
REV			0

YAMADA AMERICA, INC.

1200 NUCLEAR DRIVE - WEST CHICAGO, ILLINOIS 60185
TOLL FREE 800-990-7867 OR 630-231-4083

THIS IS A CAD DRAWING AND MUST NOT BE ALTERED MANUALLY.



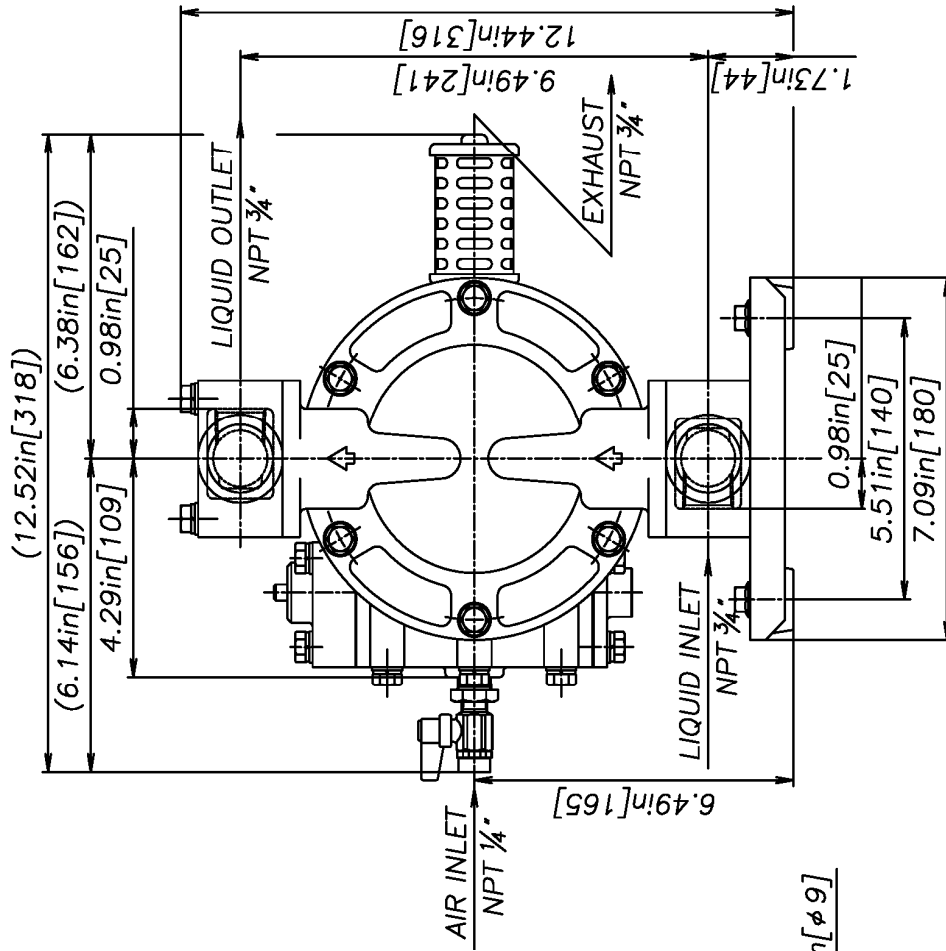


REV	DATE	DESCRIPTION	APPROD
THE DWG.OF:			
DIAPHRAGM PUMP ASSEMBLY			
SCALE	1 : 1	DRAWN BY	Yui
DATE	02/02/06	APPROVED BY	S.K.
THIRD ANG.PROJ.	DRAWING NUMBER:	NDP-20BA-1S	
REV			0

YAMADA AMERICA, INC.

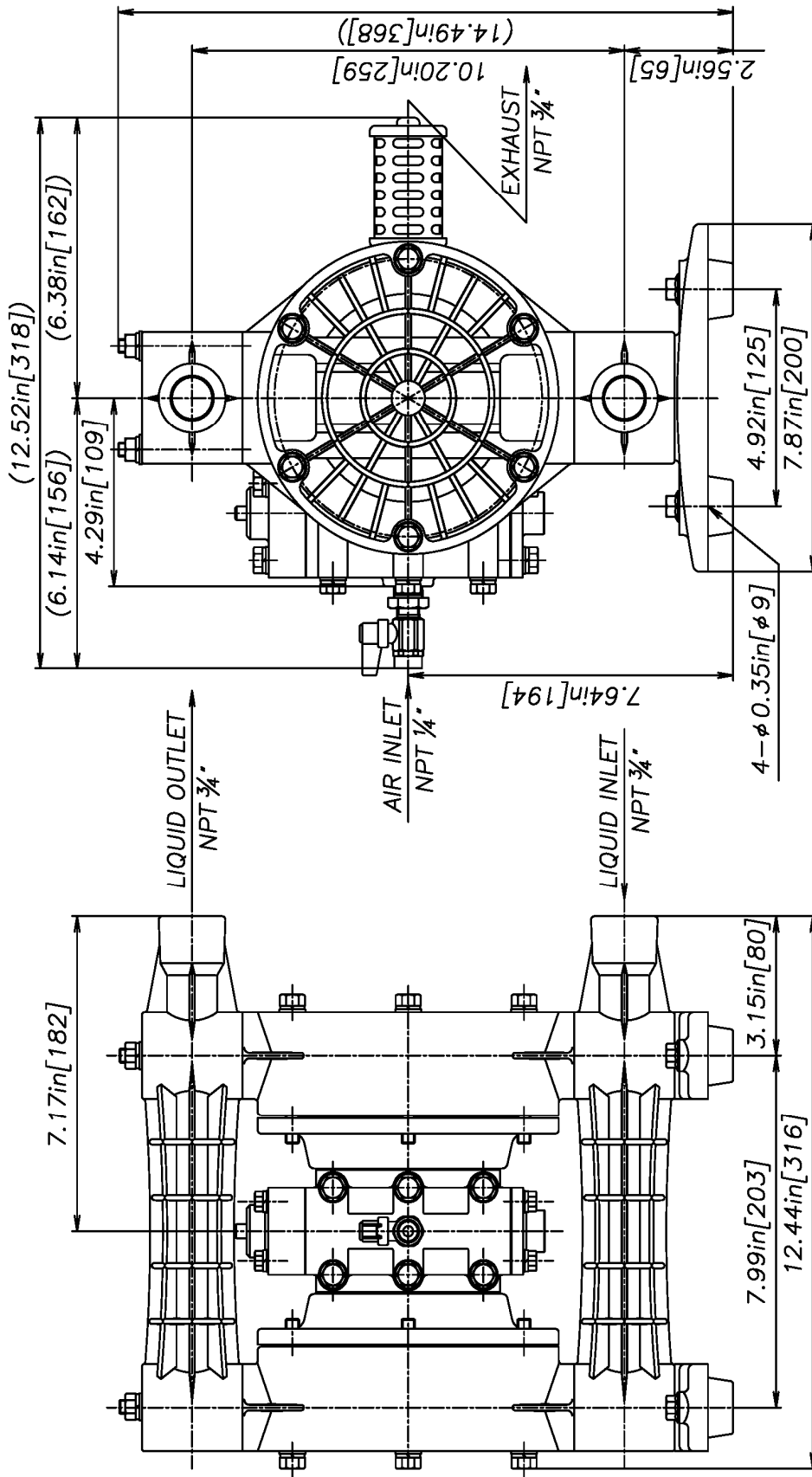
1200 NUCLEAR DRIVE - WEST CHICAGO, ILLINOIS 60185
TOLL FREE 800-990-7867 OR 630-231-4083

THIS IS A CAD DRAWING AND MUST NOT BE ALTERED MANUALLY.



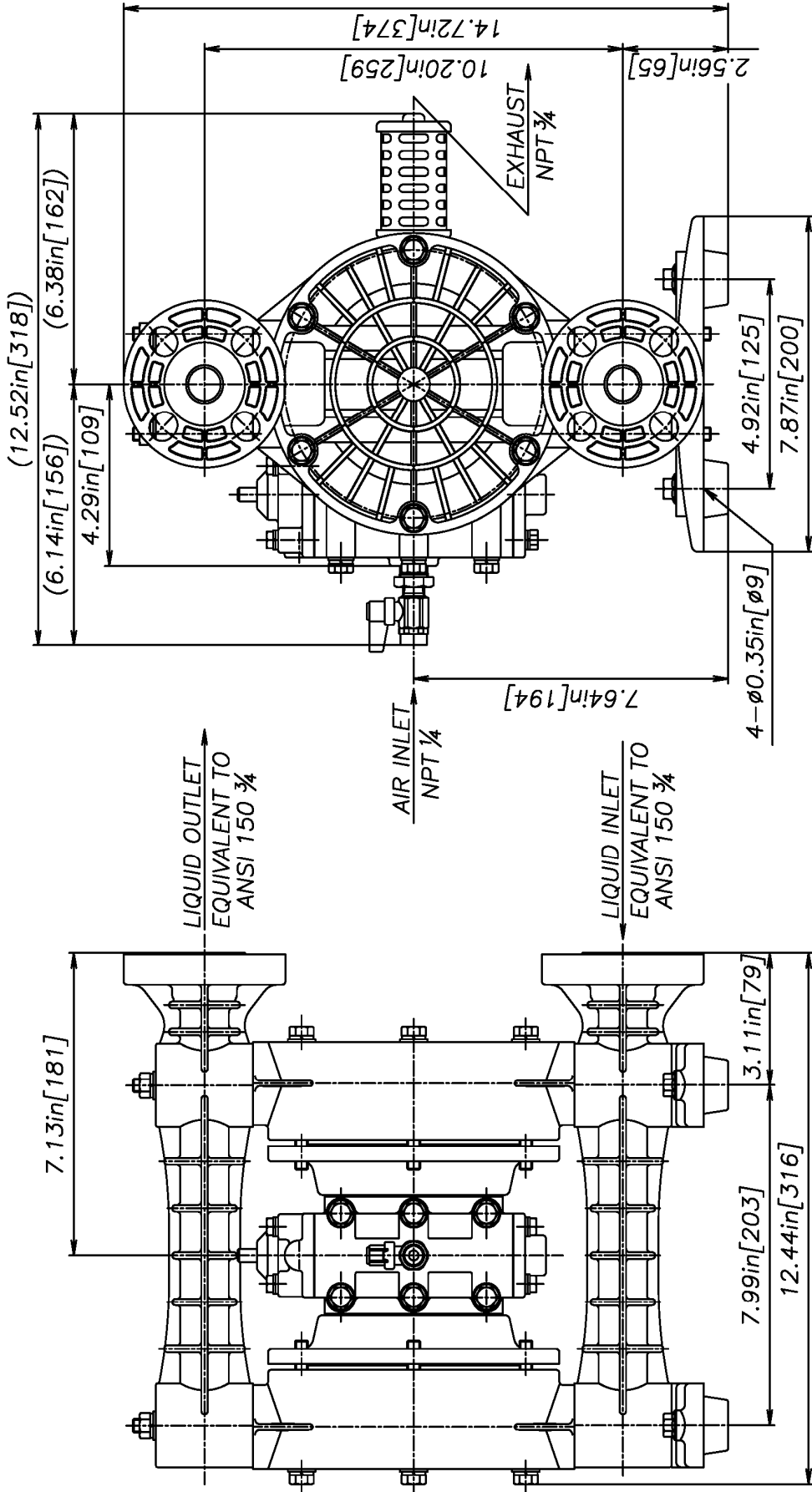
REV	DATE	DESCRIPTION	APPROD
THE DWG. OF:			
DIAPHRAGM PUMP ASSEMBLY			
SCALE	1 : 1	DRAWN BY	Yui
DATE	02/02/06	APPROVED BY	S.K.
THIRD ANG.PROJ.	DRAWING NUMBER:	NDP-20BS	
REV			0

YAMADA AMERICA, INC.
 1200 NUCLEAR DRIVE - WEST CHICAGO, ILLINOIS 60185
 TOLL FREE 800-990-7867 OR 630-231-4083
 THIS IS A CAD DRAWING AND MUST NOT BE ALTERED MANUALLY.



REV	DATE	DESCRIPTION	APPR'D
THE DWG. OF:			
DIAPHRAGM PUMP ASSEMBLY			
SCALE: 1 : 1		DRAWN BY: YJI	
DATE: 02/02/06		APPROVED BY: S.K.	
THIRD ANG. PROJ.	DRAWING NUMBER: NDP-20BP NPT		REV: 0

YAMADA AMERICA, INC.
 1200 NUCLEAR DRIVE - WEST CHICAGO, ILLINOIS 60185
 TOLL FREE 800-990-7867 OR 630-231-4083
 THIS IS A CAD DRAWING AND MUST NOT BE ALTERED MANUALLY.



REV	DATE	DESCRIPTION	APPRD
THE DWG OF:			
DIAPHRAGM PUMP ASSEMBLY			
SCALE 1 : 1		DRAWN BY YJI	
DATE 02/02/06		APPROVED BY S.K.	
THIRD REV	DRAWING NUMBER: NDP-20BP FLANGE		0
ANG-PROJ.			

YAMADA AMERICA, INC.
 1200 NUCLEAR DRIVE - WEST CHICAGO, ILLINOIS 60185
 TOLL FREE 800-990-7867 OR 630-231-4083
 THIS IS A CAD DRAWING AND MUST NOT BE ALTERED MANUALLY.



AutoCAD® is a registered trademark of Autodesk, Inc.

Hytrel® is a registered trademark of E.I. du Pont de Nemours and Company.

Kynar® is a registered trademark of Arkema.

Nordel™ is a trademark of DuPont Dow Elastomers.

Ryton® is a registered trademark of Chevron Phillips Chemical Company.

Santoprene® is a registered trademark of Advanced Elastomers Systems.

Swagelok® & VCR® are trademarks of the Swagelok Companies.

Teflon® is a registered trademark of E.I. du Pont de Nemours and Company.

Viton® is a registered trademark of DuPont Performance Elastomers.

Due to Yamada's continued commitment to product improvement, specifications may change without notice.