

Dust extraction technology

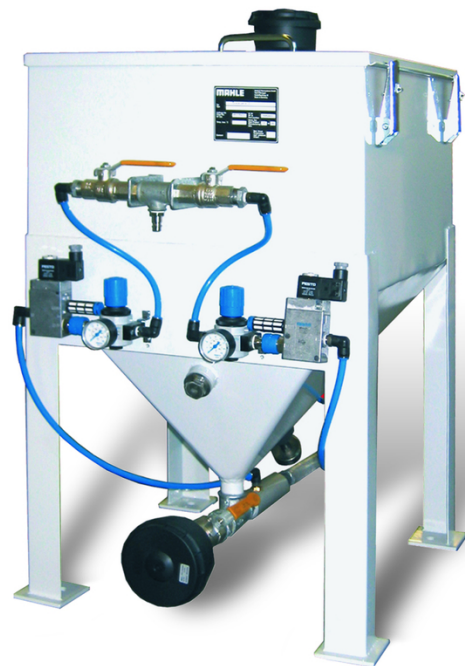
SDG-100

Dosing device for filter aid

1. Features

A filter aid sometimes needs to be added to optimise the dust removal process. The filter aid is blown into the row gas via an injector or nozzle, so that it forms a filter aid layer on the cartridges. This improves the cleaning and filtration efficiency in applications with sticky or very fine dusts.

- Compact design
- Easy maintenance
- Affordable
- Good dispersion
- Worldwide distribution



2. Technical data

Operating pressure:	3 - 4 bar
Housing/cover material:	Sheet steel
Surface treatment:	EPS
Colour:	RAL 7035
Electrical data:	
Max. voltage:	DC 24 V
Max. switching current:	1 A

The selected filter aid depends on the type of dust and the untreated gas.

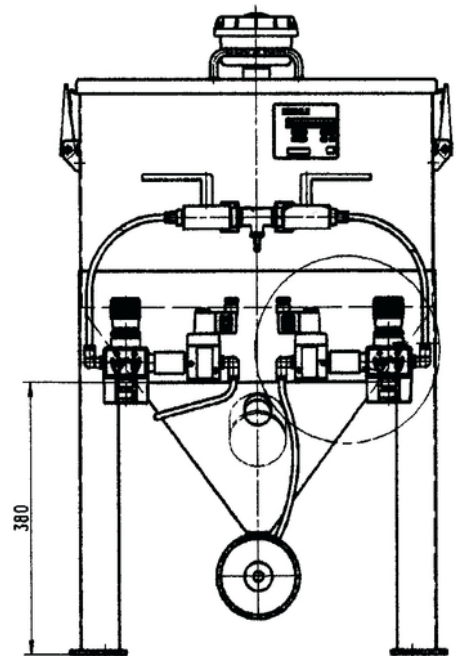
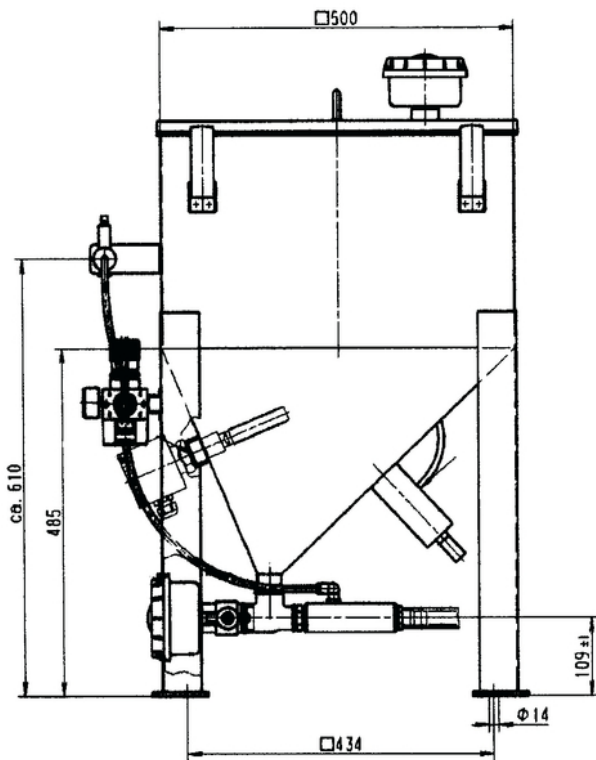
The compressed air consumption varies according to the dosing setting.

Typical range:	0,2 - 2 m ³ /h (normal operation)
Filter aid dosing rate:	0,3 - 3,5 kg/h

3. Dimensions

All dimensions except "V" in mm.

Type	H	B	L	V [l]
SDG-100	877	504	504	50



4. Components/spare parts

Qty.	Part name
2	Magnetic valve ¼"
2	Solenoid DC 24 V/1 A
2	Pressure valve with gauge
2	Ball valve ½"
1	Injector nozzle
1	Piston vibrator
1	Discharge hose
2	Vent filter Pi 0140 Mic
1	Level limit switch (optional)
1	Control cabinet for dosing device (optional)

MAHLE Industriefiltration GmbH
 Schleifbachweg 45
 D-74613 Öhringen
 Phone +49 7941 67-0
 Fax +49 7941 67-23429
 industrialfiltration@mahle.com
 www.mahle.com
 70328226.04/2015