

MAHLE

Driven by performance

Dust filter cartridge

200 NZ

Ø 200 mm

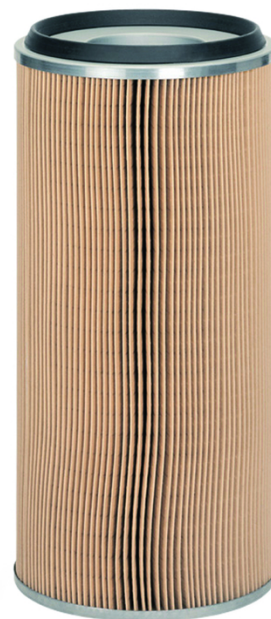
1. Features

Star-pleated MAHLE dust filter cartridges are used to separate very fine particles from gases. The cartridge will be inflowed from the outside with dust loaded air or gas. The cleaned air flows inward through the open end cap to the clean side.

Regular, extensive material and performance tests are the key to the consistently high quality of MAHLE dust cartridges. A team of dedicated engineers in our applications department and modern development laboratories constantly endeavour to mature and perfect our products. Applications tests both on the customer's side and in our own facilities form the backbone of affordable and reliable products.

Characteristics

- High loading capacity
- Improved cleaning properties
- High stability
- Installation on dirt side
- Universally suitable
- Optimised filter materials
- Worldwide distribution



2. Technical Data

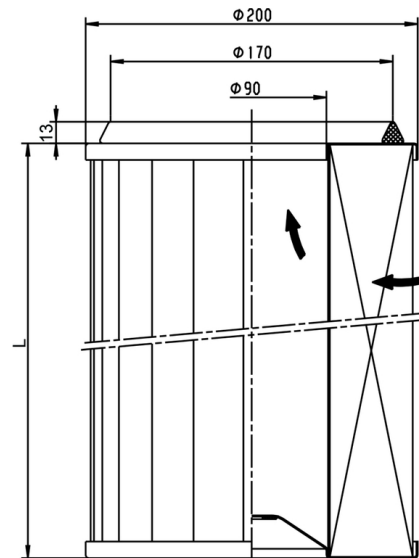
Materials

Inner core:	Galvanized steel
End caps:	Galvanized steel
Seal:	PUR soft material
Filter material:	Ti 08 - Electrically conductive polyester fleece
	Ti 15 - Polyester fleece
	Ti 26 - Glass fibre laminated with PET and cellulose
	Other filter materials on request

Cleaning

Nozzle:	Multi-jet nozzle G1
Cleaning pressure:	3 bar to 4 bar (max. 5 bar)
Differential pressure:	max. 18 mbar
Compressed air consumption:	23 l (fad) per cleaning pulse
Pressure vessel capacity:	approx. 5 l per filter cartridge

Technical data is subject to change without notice!



3. Order numbers

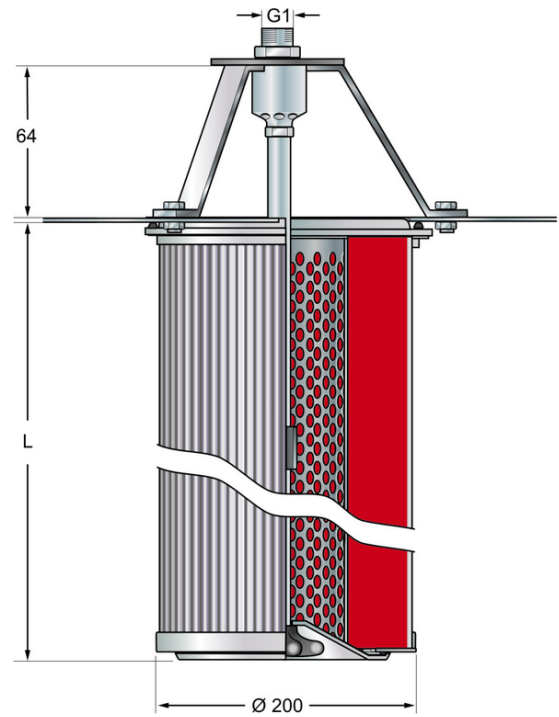
Order number	Type designation	Length L [mm]	Filter material	Filter surface [m ²]	Max. volume flow* [m ³ /h]	Max. operating temperature [°C]	Electr. conductive
78330904	852 847 Ti 08-2.5	400	Ti 08	2.5	230	80	yes
78310559	852 847 Ti 15-2.5		Ti 15				
77951262	852 847 Ti 15-5		Ti 15	5	400		no
79395492	852 847 Ti 26-2.5 silicone**		Ti 26	2.5	300		

* These values may vary depending on the nature of the dust and the composition of the gas.

** Depth filter

4. Installation

The 852 847 dust filter cartridge is fastened to the filter plate from the dirt side by means of a tie rod (tightening torque approx. 15 N m). A hole with a diameter of 88 mm must be drilled in the filter plate.



5. Accessories

Order number	Designation
76335046	Nozzle-M32 1; aluminium Multijet M 12

6. Cleaning

We recommend cleaning the dust filter cartridge with the MAHLE multi-jet nozzle. The optimised geometry of the multi-jet nozzle guarantees excellent cleaning results with a significantly lower noise level.



7. Design

Please contact us for detailed technical information, any open questions and for general expert advice. Completion of the relevant questionnaire would facilitate in the coordination of all important parameters.

Comprehensive documentation on our product range, cleaning units and cartridges can be provided.

MAHLE Industriefiltration GmbH
Schleifbachweg 45
D-74613 Öhringen
Phone +49 7941 67-0
Fax +49 7941 67-23429
industriefiltration@mahle.com
www.mahle.com
70342672.04/2015