



*Driven by performance*

## Electrical Maintenance Indicators

**PiS 3200**

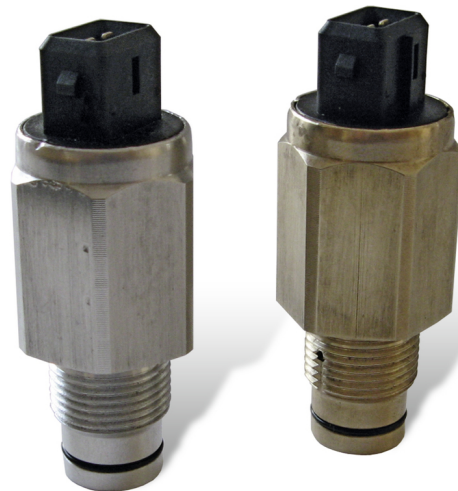
with AMP plug connection

### 1. Features

Filter elements are economically used only if their dirt holding capacity is fully exploited. A reliable indication of the optimal time to replace the element is therefore vital.

These maintenance indicators include an AMP Junior-Power-Timer plug connection and are available in normally open or normally closed contact type version.

Thanks to the MAHLE modular system these maintenance indicators can be used with all MAHLE pressure filters.



## 2. Differential pressure indicators

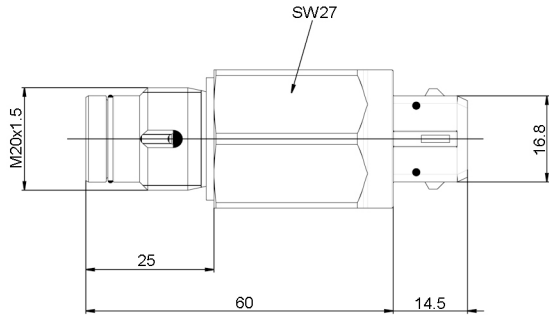


Fig. 1

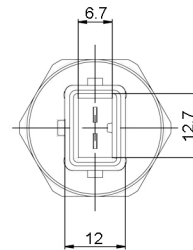


Fig. 2

### Differential pressure indicators

Nominal pressure [bar]	Temperature [°C]	Type	Order number	Indicator setting [bar]	Indication	Contact type*	Fig.	Material housing	Material plug connection
160	-30 - +120	PiS3203/2.2	70520455	2.2	electr.	norm. closed	1 + 2	Al	PA
		PiS3206/2.2	70520459			norm. open	1 + 2		
400	-30 - +120	PiS3204/5.0	70520457	5.0	electr.	norm. closed	1 + 2	CuZn	PA
		PiS3207/5.0	70520460			norm. open	1 + 2		

\*Contact type

1 Normally open or normally closed; 1 setting point; AMP Junior-Power-Timer 2.8 2 poles; max. 48 V DC; max. 0.5 A

## 3. Technical specifications

### 3.1 Contact type normally open/normally closed

Contact type 1

Types PiS 3203, 3204

normally closed

Types PiS 3206, 3207

normally open

Material seal:

NBR\*

Max. voltage:

48 V DC

Max. current:

0.5 A

Contact load:

10 VA

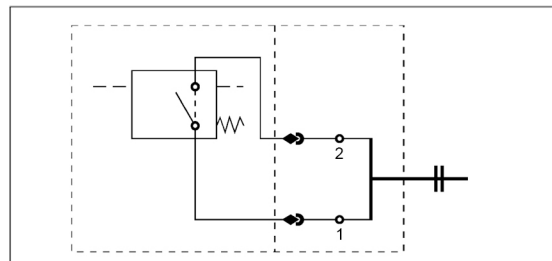
Type of protection:

IP 65 in inserted and secured status

Plug connection:

AMP Junior-Power-Timer 2.8  
2 poles

\* other seals on request



MAHLE Industriefiltration GmbH

Schleifbachweg 45

D-74613 Öhringen

Phone +49 7941 67-0

Fax +49 7941 67-23429

industriefiltration@mahle.com

www.mahle.com

70563111.04/2015