

Disc brakes

Technical data and dimensions

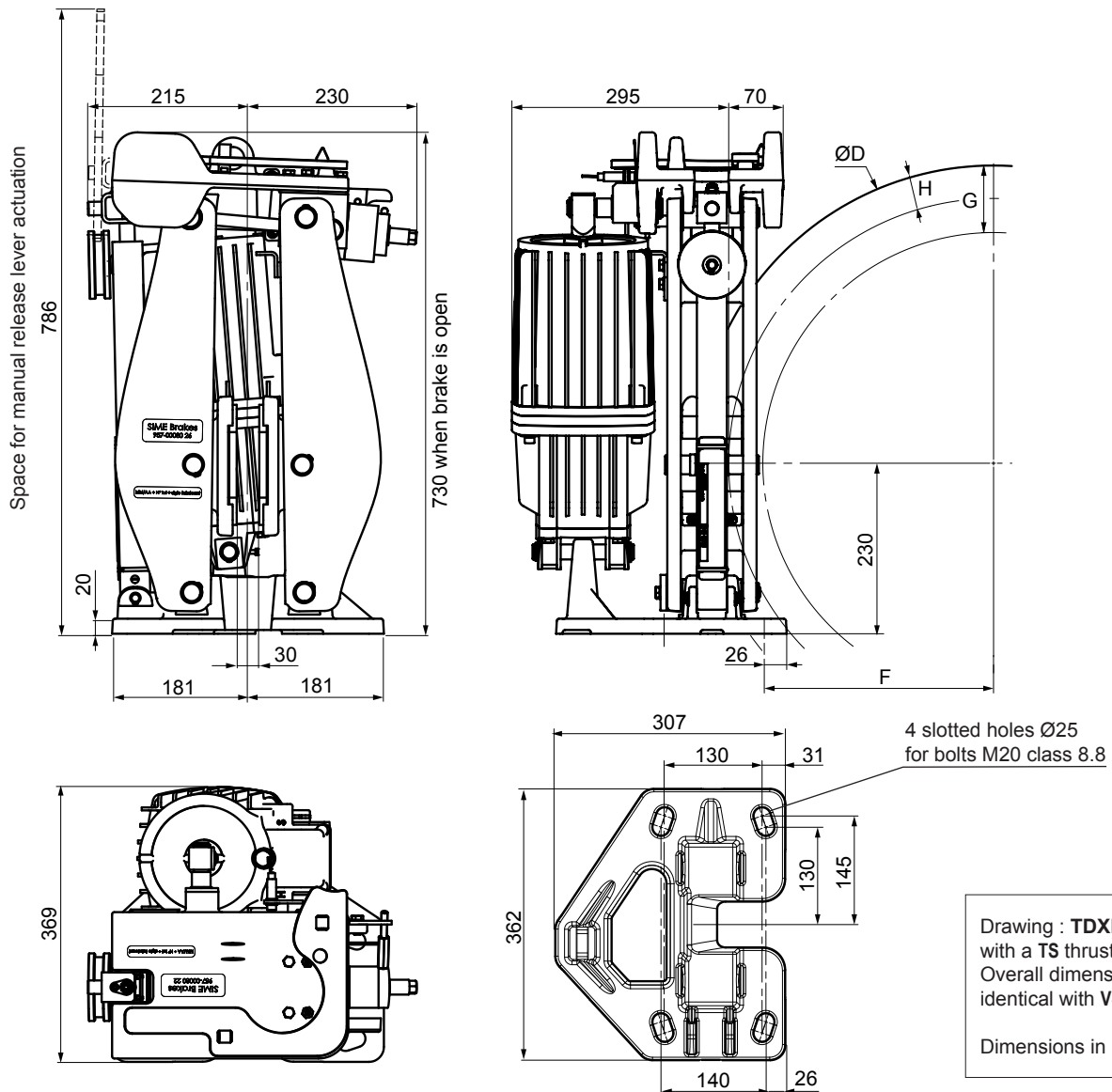
TDXB-I brakes

- Fail safe
- Spring application / Thrustor release
- Self-centering
- Automatic lining wear compensation
- Opening sensor
- Low maintenance Teflon bushes
- Lining full wear indicators
- Manual release lever
- Lining pads with DIN shape
- Thrustor **TS**

- Operating conditions:**
- Ambient temperature: -25°C to +50°C
 - Relative humidity ≤ 70%
 - Dust in atmosphere ≥ 65µ
 - Other conditions, consult usM

- Use:**
- Service brake

- Options :**
- Closing sensor
 - Thrustor limit stroke sensor
 - Thrustor **TS** with option :
 - SW:** Oil Shell HF-E-32 / High Temp. seals
 - SV:** Special Voltage
 - Custom color
 - Thrustor **VS**
 - Inductive sensors DC-AC 24-240V 50/60 Hz



Drawing : **TDXB-I** fitted with a **TS** thrustor.
 Overall dimensions are identical with **VS** thrustor.
 Dimensions in mm

Non contractual drawings
 Due to continuous development and improvement, all dimensions and characteristics are subject to change without notice.

Installation and maintenance Leaflet Nr. M10121-01
 Thrustors TS technical data Nr. T10128-01

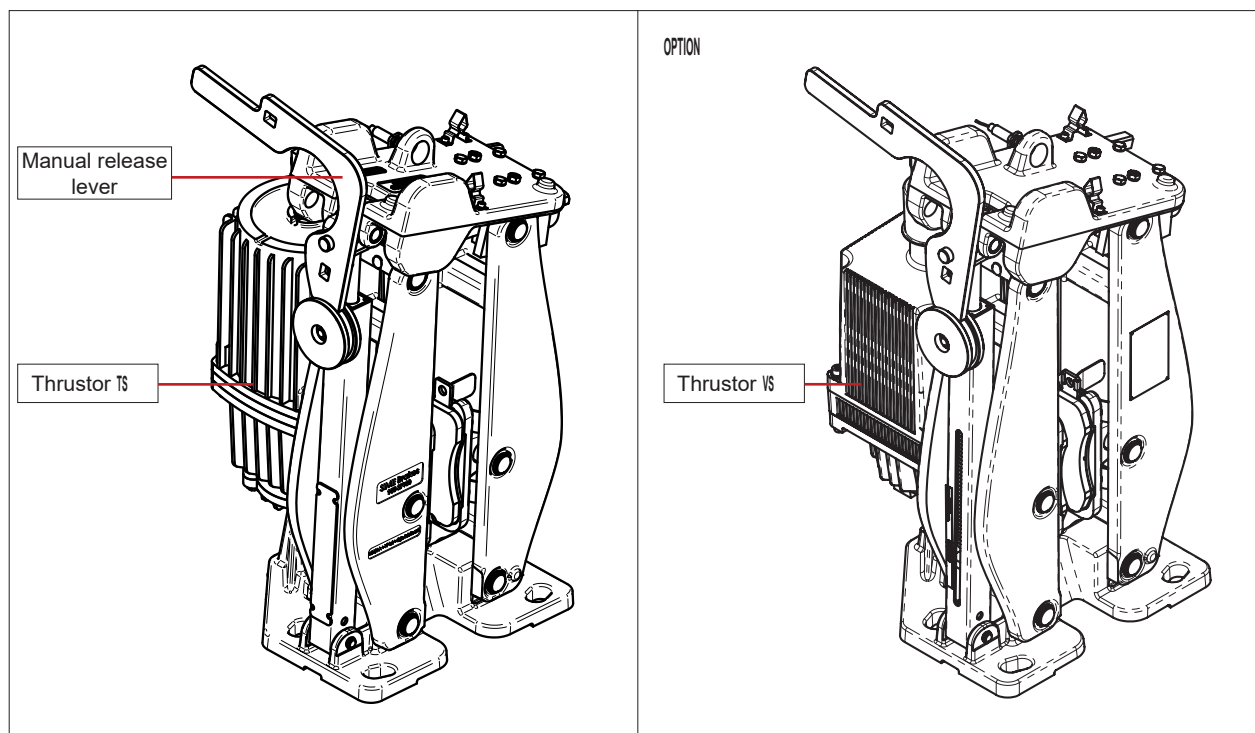
11/03/19

T10121-01-F

Disc brakes

Technical data and dimensions

TDXB-I brakes


 Weight without thrustor with lining pads : 85 kg
 Torque and effort values are subject to a variation of $\pm 10\%$

Standard : Lining quality WS1-5

DISCS (ØD)			315	355	395	445	485	550	625	705	795
NOMINAL TORQUE, 1 caliper *	TDXB-I 1	N.m	901	996	1104	1267	1437	1619	1877	2148	2453
	TDXB-I 2	N.m	1490	1646	1826	2094	2374	2677	3102	3550	4054
	TDXB-I 3	N.m	2075	2293	2543	2917	3307	3728	4321	4945	5647
MAXIMUM DISC SPEED for nominal torque **		rpm	3000	2700	2400	2100	1900	1800	1500	1350	1200
Maximum linear speed		m/s	50								
F		mm	57	70	80	100	125	155	190	230	275
G		mm	56	59	70						
H		mm	28	30	35						
MAXIMUM REACTION ON SHAFT	TDXB-I 1	N					6776				
	TDXB-I 2	N					11200				
	TDXB-I 3	N					16000				

* Nominal torque is adjustable from 100% to 70%

** For higher speeds, consult Stromag France

Non contractual drawings

Due to continuous development and improvement, all dimensions and characteristics are subject to change without notice.

 Installation and maintenance Leaflet Nr. M10121-01
 Thrustors TS technical data Nr. T10128-01

11/03/19

T10121-01-F