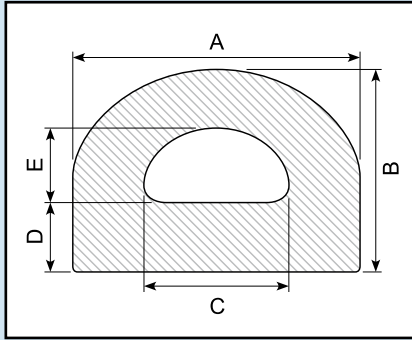
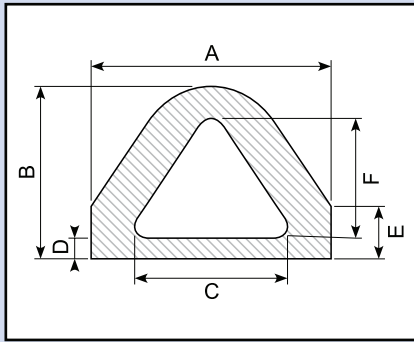


# Fenders / Fendere



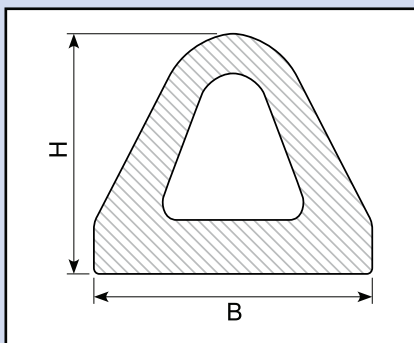
Black, EPDM  
Hardnes: SH 70  
Fenders for harbours, loading ramps w. m.

Art.	A	B	C	D	E	Kg/m
39.3581	30	25	11	7,5	11	0,67
39.3641	40	75	23	32	23	3,76
39.2776	51	45	20	10	20	2,08
39.3428	65	70	35	18	28	2,99
39.3029	80	80	40	25	35	5,54
39.3700	80	78	56	12	54	3,55
39.3925	80	80	40	23	40	5,59
39.4229	80	70	46	25	20	4,57
39.4110	95	100	38	30	45	5,4
39.3051	100	80	50	25	30	7,05
39.3802	100	80	80	12	56	3,68
39.3923	100	95	44	29	40	8,1
39.3952	100	95	60	20	50	6,99
39.4251	100	60	50	20	20	5,81
39.4403	100	95	60	28	42	6,27
39.4310	107	67	40	22	20	6,4
39.3726	110	110	50	30	25	12,14
39.3878	120	70	30	20	30	6,41
39.93	120	120	70	44	51	11,84
39.4381	125	100	65	33	37	10,87
39.69	130	150	50	50	50	21,05
39.4257	130	145	40	55	40	17,24
39.3813	140	125	85	35	55	14,75
39.3815	140	80	60	20	36	10,27
39.3381	150	150	85	30	85	18,81
39.4129	150	130	50	55	50	20
39.4224	150	150	92	29	92	14,7
39.4244	150	180	45	87	40	27,8
39.4380	150	150	80	40	75	18,22
39.3366	160	125	90	25	65	15,82
39.4311	160	175	68	79	68	17,1
39.57	200	165	40,5	80	40,5	31,44
39.3023	190	195	21	89	21	40,57
39.4012	190	195	55	89	55	37,7
39.3803	200	150	148	14	113	11,81
39.3904X (2 m)	200	200	100	50	100	33,42
39.4249	200	220	75	82	75	42,39
39.4250	200	220	100	38	80	39,38
39.4269	200	220	75	82	75	36,85
39.3849	240	260	110	90	110	54,54
39.3879	250	290	120	60	110	48,96
39.56	250	200	136	50	100	39,84
39.4054	280	190	180	50	90	38,5
39.79	300	254	150	75	104	68,25
39.55	350	350	220	80	165	97,68



Black, EPDM  
 Hardnes: SH 70  
 Fenders for harbours, loading ramps w. m.

Art.	A	B	C	D	E	F	G	Kg/m
39.3872	40	25	28	5	10	20	5	0,57
39.3873	55	40	38	8	15	32	8	1,39
39.3875	60	50	40	10	20	42	8	1,75
39.4087	60	52	30	11	11	43	9	2
39.3876	80	65	50	12	25	53	12	3,2
39.3887	80	70	40	15	0	68	12	3,5
39.4333	80	70	54	15	16	59	11	4
39.2486	82	67	42	15	15	57	10	3,5
39.4156	109	117	50	42	50	95	22	10,5
39.3846	110	95	50	22	18	76	19	6,1
39.3874	110	95	70	15	30	80	15	5,79
39.4399	110	130	70	20	45	110	20	7,8
39.3010	120	110	70	14	35	95	15	7,39
39.3868	150	130	100	20	40	110	20	10,82
39.4178	150	160	105	50	60	130	30	16,3
39.3722	160	138	92	33	0	105	33	15,83
39.3240	170	130	110	15	45	110	20	10,5



Black, EPDM  
 Hardnes: SH 70  
 Fenders for vans, trucks, loading ramps etc.

Art.	B	H	L	Kg/m
39.674	40	22	20 m	0,715
39.678	60	50	20 m	2,1
39.678X	50	60	20 m	2,1
39.680X	84	70	20 m	3,7
39.684X	110	95	20 m	7,076
39.685	120	120	3 m	11,204

NITRIL  
 Hardnes: SH 70

Art.	B	H	L	Kg/m
39.684N	110	95	20 m	7,076



BIBUS SK, s.r.o  
 Trnavská 31, SK-94 901 Nitra

Tel.: 037/ 7777 911 Email: sale@bibus.sk  
 Fax.: 037/ 7777 999 http://www.bibus.sk