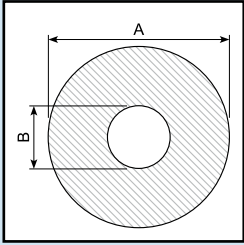
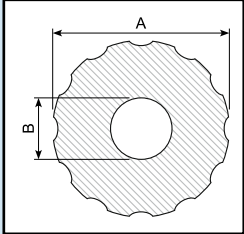


Sponge rubber tubes / Svampegummislange



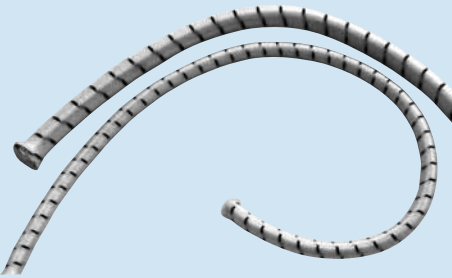
Black EPDM		
Art.	A x B (mm)	Min. length (m)
36.341840	40 x 18	200
36.342026	26 x 20	1.000
36.342030	30 x 20	Stock goods
36.342232	32 x 20	1.000
36.342433	33 x 24	500
36.342529	29 x 25	Stock goods
36.342840	40 x 28	250

Sizes which are not stocked are purchased to order



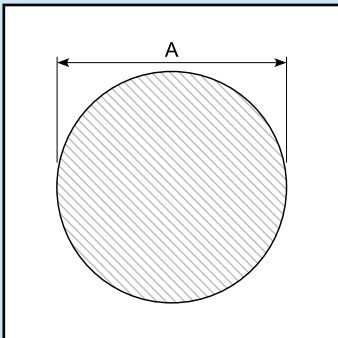
Black EPDM		
Art.	A x B (mm)	Min. length (m)
36.341118	18 x 11	Stock goods
36.341825	25 x 18	Stock goods

Rubber cord / Elastiksnor



Art.	Ø (mm)
50.260-4	4
50.260-5	5
50.260-6	6
50.260-8	8
50.260-10	10

Sponge rubber / Svampegummi

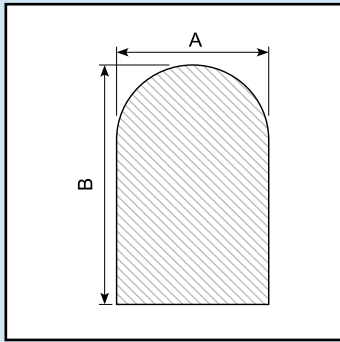


Black, EPDM Hardnes: SH 16 - 20 Density: 0,45 - 0,6	
Art.	Ø (mm)
36.7003	3
36.7004	4
36.7005	5
36.7006	6
36.7008	8
36.7009	9
36.7010	10
36.7012	12
36.7015	15

Dark grey, EPDM Hardnes: SH 16 - 20 Density: 0,4 - 0,5	
Art.	Ø (mm)
36.102E	2
36.103E	3
36.1035E	3,5
36.104E	4
36.1045E	4,5
36.105E	5
36.106E	6
36.107E	7
36.108E	8
36.109E	9
36.110E	10
36.111E	11
36.112E	12
36.113E	13
36.115E	15
36.116E	16
36.120E	20
36.130E	30
36.135E	35

Dark grey, CR Hardnes: SH 16 - 22 Density: 0,4 - 0,6	
Art.	Ø (mm)
36.103CR	3
36.104CR	4
36.105CR	5
36.106CR	6
36.107CR	7
36.108CR	8
36.110CR	10
36.112CR	12
36.115CR	15
36.118CR	18
36.119CR	19
36.120CR	20

Dark grey, NR Hardnes: SH 16 - 22 Density: 0,4 - 0,55	
Art.	Ø (mm)
36.102.5	2,5
36.104	4
36.106	6
36.106G	6
36.108	8
36.108G	8
36.110	10
36.112	12
36.112G	12
36.115	15
36.117	17
36.120	20
36.125	25
36.130	30



NR
Hardnes: SH 16 - 20
Density: 0,45 - 0,6

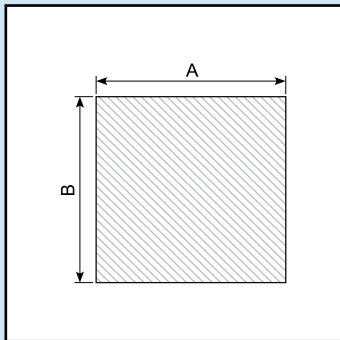
Art.	A x B (mm)	Color
36.197	4 x 6	Dark grey
36.208	10 x 20	Dark grey
36.3314	12 x 17	Dark grey
36.198	6 x 8	Light blue
36.198A	6 x 8	Blue/green
36.198S	6 x 8	Black

CR
Hardnes: SH 16 - 20
Density: 0,4

Art.	A x B (mm)	Color
36.198	6 x 8	Dark grey
36.200	8 x 8	Dark grey
36.202	10 x 12	Dark grey

EPDM

Art.	A x B (mm)	Color
36.199	6 x 10	Light grey



Dark grey, EPDM
Hardnes: SH 16 - 20
Density: 0,4 - 0,5

Art.	A x B (mm)	Art.	A x B (mm)	Art.	A x B (mm)	Art.	A x B (mm)
36.0404E	4 x 4	36.1508E	15 x 8	36.2020E	20 x 20	36.4010E	40 x 10
36.0806E	8 x 6	36.1510E	15 x 10	36.2515E	25 x 15	36.4015E	40 x 15
36.0808E	8 x 8	36.1512E	15 x 12	36.2520E	25 x 20	36.4020E	40 x 20
36.1003E	10 x 3	36.1515E	15 x 15	36.2525E	25 x 25	36.4025E	40 x 25
36.1005E	10 x 5	36.1604E	16 x 4	36.3005E	30 x 5	36.5010E	50 x 10
36.1007E	10 x 7	36.1610E	16 x 10	36.3010E	30 x 10	36.5015E	50 x 15
36.1010E	10 x 10	36.1612E	16 x 12	36.3015E	30 x 15	36.5020E	50 x 20
36.1210E	12 x 10	36.1816E	18 x 16	36.3020E	30 x 20	36.6010E	60 x 10
36.1304E	13 x 4	36.2005E	20 x 5	36.3025E	30 x 25	36.6030E	60 x 30
36.1503E	15 x 3	36.2008E	20 x 8	36.3030E	30 x 30		
36.1505E	15 x 5	36.2010E	20 x 10	36.3516E	35 x 16		
36.1507E	15 x 7	36.2015E	20 x 15	36.3520E	35 x 20		

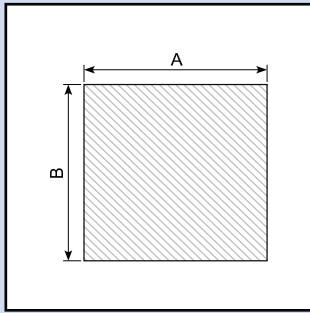
Dark grey, NR
Hardnes: SH 16 - 20
Density: 0,4 - 0,5

Art.	A x B (mm)	Art.	A x B (mm)	Art.	A x B (mm)	Art.	A x B (mm)
36.0505	5 x 5	36.1512	15 x 12	36.2503	25 x 3	36.3030	30 x 30
36.0806	8 x 6	36.1515	15 x 15	36.2505	25 x 5	36.3516	35 x 16
36.1003	10 x 3	36.1604	16 x 4	36.2510	25 x 10	36.4010	40 x 10
36.1005	10 x 5	36.1605	16 x 5	36.2515	25 x 15	36.4012	40 x 12
36.1007	10 x 7	36.1808	18 x 8	36.2520	25 x 20	36.4015	40 x 15
36.1008	10 x 8	36.1816	18 x 16	36.2525	25 x 25	36.4020	40 x 20
36.1010	10 x 10	36.2002	20 x 2	36.3003	30 x 3	36.4025	40 x 25
36.1205	12 x 5	36.2003	20 x 3	36.3005	30 x 5	36.4030	40 x 30
36.1206	12 x 6	36.2005	20 x 5	36.3010	30 x 10	36.5010	50 x 10
36.1210	12 x 10	36.2010	20 x 10	36.3015	30 x 15	36.5020	50 x 20
36.1503	15 x 3	36.2015	20 x 15	36.3020	30 x 20	36.5030	50 x 30
36.1510	15 x 10	36.2020	20 x 20	36.3025	30 x 25	36.6030	60 x 30

Black NR
Hardnes: SH 18 - 25
Density: 0,5 - 0,75

Art.	A x B (mm)
36.1610CR	10 x 16
36.2010CR	20 x 10
36.2020CR	20 x 20
36.3015CR	30 x 15
36.4020CR	40 x 20
36.5005CR	50 x 5
36.60808CR	8 x 8

With adhesive

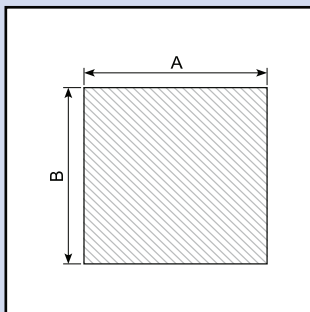


Dark grey, EPDM
Hardnes: SH 14 - 16
Density: 0,38 - 0,42

Art.	A x B (mm)	Art.	A x B (mm)	Art.	A x B (mm)	Art.	A x B (mm)
35.0806	8 x 6	35.1605	16 x 5	35.2515	25 x 15	35.4010	40 x 10
35.1003	10 x 3	35.1608	16 x 8	35.2520	25 x 20	35.4020	40 x 20
35.1004	10 x 4	35.18053	18 x 5,3	35.2525	25 x 25	35.4030	40 x 30
35.1005	10 x 5	35.2003	20 x 3	35.3005	30 x 5	35.4035	40 x 35
35.1007	10 x 7	35.2005	20 x 5	35.3007	30 x 7	35.4040	40 x 40
35.1008	10 x 8	35.20055	20 x 5,5	35.3010	30 x 10	35.4505	45 x 5
35.1010	10 x 10	35.2010	20 x 10	35.3012	30 x 12	35.5005	50 x 5
35.1203	12 x 3	35.2012	20 x 12	35.3015	30 x 15	35.5006	50 x 6
35.1209	12 x 9	35.2015	20 x 15	35.3020	30 x 20	35.5010	50 x 10
35.1212	12 x 12	35.2018	20 x 18	35.3025	30 x 25	35.5030	50 x 30
35.1503	15 x 3	35.2050	20 x 50	35.3030	30 x 30	35.6010	60 x 10
35.1507	15 x 7	35.2502	25 x 2	35.3505	35 x 5	35.6040	60 x 40
35.1510	15 x 10	35.2505	25 x 5	35.3510	35 x 10		
35.1512	15 x 12	35.2506	25 x 6	35.3535	35 x 35		
35.1515	15 x 15	35.2510	25 x 10	35.4005	40 x 5		

Dark grey, EPDM, with adhesive
Hardnes: SH 14 - 16
Density: 0,38 - 0,42

Art.	A x B (mm)	Art.	A x B (mm)	Art.	A x B (mm)	Art.	A x B (mm)
35.0806K	8 x 6	35.1507K	15 x 7	35.2020K	20 x 20	35.3030K	30 x 30
35.0808K	8 x 8	35.1510K	15 x 10	35.2207K	22 x 7	35.3505K	35 x 5
35.1003K	10 x 3	35.1512K	15 x 12	35.2505K	25 x 5	35.3510K	35 x 10
35.1004K	10 x 4	35.1515K	15 x 15	35.2506K	25 x 6	35.3535K	35 x 35
35.1005K	10 x 5	35.1605K	16 x 5	35.2508K	25 x 8	35.4003K	40 x 3
35.1007K	10 x 7	35.1608K	16 x 8	35.2510K	25 x 10	35.4005K	40 x 5
35.1008K	10 x 8	35.1708K	17 x 8	35.2515K	25 x 15	35.4010K	40 x 10
35.1010K	10 x 10	35.1803K	18 x 3	35.2520K	25 x 20	35.4012K	40 x 12
35.1203K	12 x 3	35.18053K	18 x 5,3	35.2525K	25 x 25	35.4020K	40 x 20
35.1204K	12 x 4	35.1809K	18 x 9	35.2806K	28 x 6	35.4030K	40 x 30
35.1206K	12 x 6	35.1904K	19 x 4	35.3003K	30 x 3	35.4035K	40 x 35
35.1208K	12 x 8	35.2003K	20 x 3	35.3005K	30 x 5	35.4040K	40 x 40
35.1209K	12 x 9	35.2005K	20 x 5	35.3007K	30 x 7	35.4505K	45 x 5
35.1212K	12 x 12	35.20055K	20 x 5,5	35.3010K	30 x 10	35.5006K	50 x 6
35.1503K	15 x 3	35.2010K	20 x 10	35.3012K	30 x 12	35.5010K	50 x 10
35.1504K	15 x 4	35.2012K	20 x 12	35.3015K	30 x 15	35.5020K	50 x 20



White, SILICONE
Hardnes: SH 16 - 20
Density: 0,4 - 0,5

Art.	A x B (mm)	Art.	A x B (mm)	Art.	A x B (mm)	Art.	A x B (mm)
36.1003SIH	10 x 3	36.1610SIH	16 x 10	36.2010SIH	20 x 10	36.3010SIH	30 x 10
36.1006SIH	10 x 6	36.1616SIH	16 x 16	36.2015SIH	20 x 15	36.3020SIH	30 x 20
36.1010SIH	10 x 10	36.1812SIH	18 x 12	36.2020SIH	20 x 20	36.4012SIH	40 x 12
36.1212SIH	12 x 12	36.2003SIH	20 x 3	36.2520SIH	25 x 20	36.4025SIH	40 x 25
36.1505SIH	15 x 5	36.2005SIH	20 x 5	36.2525SIH	25 x 25	36.2515SIH	55 x 15

Black, SILICONE

Art.	A x B (mm)	Art.	A x B (mm)	Art.	A x B (mm)	Art.	A x B (mm)
36.1003SIH	10 x 3	36.1610SIH	16 x 10	36.2010SIH	20 x 10	36.3010SIH	30 x 10