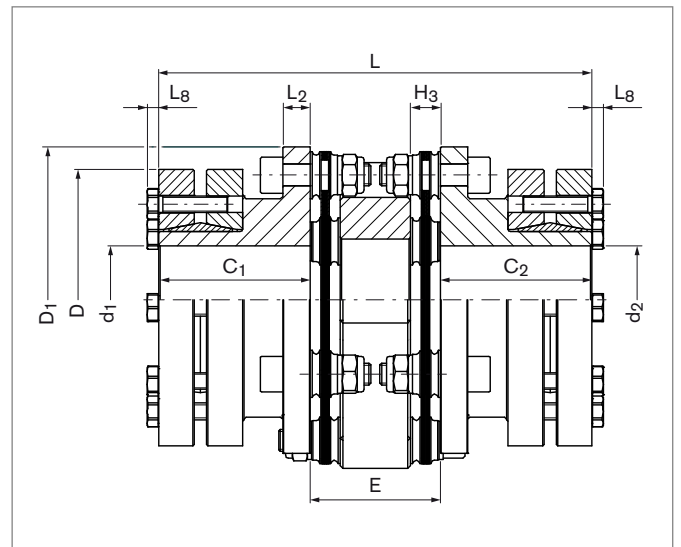


Steel Disc Couplings

RINGFEDER® TND QCQ

Hubs with Open Flange and RINGFEDER® Shrink Discs, Double-Jointed, with Compact-Spacer, Shaft-Hub Connection by Shrink Disc



Size	T _{KNHD} 1)	T _{KNHT} 1)	n _{max}	d ₁ ;d ₂ 3) min	d ₁ ;d ₂ 3) max	C ₁ / C ₂	E	H ₃	D ₁	L ₂	L	n _{Sc}	L ₈
QCQ	Nm	Nm	1/min	mm	mm	mm	mm	mm	mm	mm	mm	Quantity	mm
82	750	1050	3600	38	65	55	46,5	10,5	116	10	156,5	6	5,3
98	1350	1750	3600	50	70	60	55	12	140,5	11	175	6	5,3

Size	G _{wsp}	C _{TdynHD}	C _{TdynHT}	Max. Permissible Misalignment 7)					
				axial		angular		radial	
	kg	10 ⁶ Nm/rad	10 ⁶ Nm/rad	ΔK _a HD	ΔK _a HT	ΔK _w HD	ΔK _w HT	ΔK _r HD	ΔK _r HT
QCQ				mm	mm	Degrees	Degrees	mm	mm
82	1,8	0,309	0,360	1,4	0,6	2	1,4	0,5	0,4
98	2,9	0,569	0,607	2	1	2	1,4	0,7	0,5

1) When selecting the coupling size, it is essential to observe the instructions on coupling dimensioning in the document "Product Paper & Tech Paper RINGFEDER® Steel Disc Couplings". Short-term peak torque T_{kmax} is limited to 1.75 multiples of T_{KN} or by the transmissible torque T of the shrink disc.

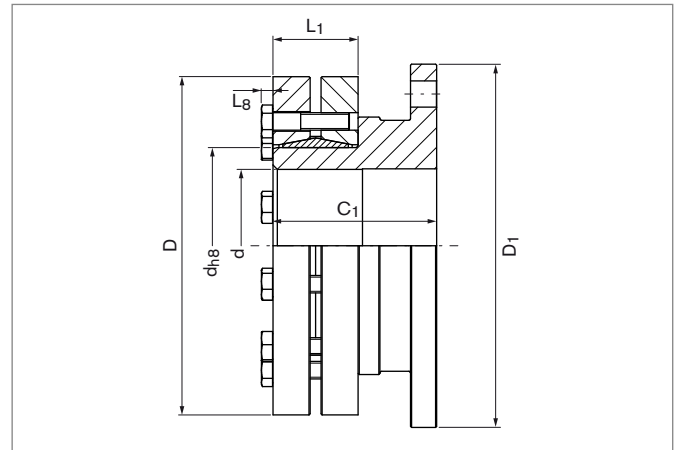
3) Bore tolerance H6 up to diameter 80 mm; Bore tolerance H7 from diameter 80 mm.

7) The maximum misalignment values must not apply simultaneously. The instructions on coupling dimensioning in the document "Product Paper & Tech Paper RINGFEDER® Steel Disc Couplings" are to be observed.

To continue see next page

Steel Disc Couplings RINGFEDER® TND QCQ

Shaft-Hub Connection by Shrink Discs RINGFEDER® RfN 4061



Shrink Discs RINGFEDER® RfN 4061					Sizing RINGFEDER® TND QCQ								
dh8	x	D	L1	L8	d	T	Size	D1	C1 / C2	T _{KNHD} ¹⁾	T _{KNHT} ¹⁾	n _{max}	G _{whs}
mm		mm	mm	mm	mm	Nm	QCQ	mm	mm	Nm	Nm	1/min	kg
50	x	90	27,5	4	38	1350	82	116	55	750	1050	3600	2,2
					40	1500							
					42	1700							
55	x	100	30,5	4	42	1300	82	116	55	750	1050	3600	2,3
					45	1550							
					48	1800							
68	x	115	30,5	4	48	1700	82	116	55	750	1050	3600	2,7
					55	2250							
					60	2850							
75	x	138	32,5	5,3	55	2650	98	140,5	60	1350	1750	3600	4,2
					60	3300							
					65	4050							
80	x	145	32,5	5,3	60	3200	98	140,5	60	1350	1750	3600	4,4
					65	3900							
					70	4600							

The transmissible torque of the coupling is dependent on the selected disc pack as well as the type of the shaft-hub connection. The lower torque limits the transmissibility and must be taken as a basis for the selection of the coupling.

To continue see next page

Steel Disc Couplings RINGFEDER ° TND QCQ

Explanations

T_{KNHD} = Nom. transmissible torque with disc pack HD	L_2 = Hub flange thickness	ΔK_{wHT} = Max. permissible angular misalignment with disc pack HT
T_{KNHT} = Nom. transmissible torque with disc pack HT	L = Total length	ΔK_{rHD} = Max. permissible radial misalignment with disc pack HD
n_{max} = Max. rotational speed	n_{sc} = Quantity of screws	ΔK_{rHT} = Max. permissible radial misalignment with disc pack HT
d_{1min} = Min. bore diameter d_1	L_8 = Overhang length	
d_{2min} = Min. bore diameter d_2	GW_{sp} = Weight of spacer	
d_{1max} = Max. bore diameter d_1	GW_{hs} = Weight of hub including shrink disc	
d_{2max} = Max. bore diameter d_2	C_{TdynHD} = Dynamic torsional stiffness with disc pack HD	Shrink Disc Selection
C_1 = Guided length in hub bore	C_{TdynHT} = Dynamic torsional stiffness with disc pack HT	d_{h8} = Inner diameter
C_2 = Guided length in hub bore	ΔK_{aHD} = Max. permissible axial misalignment with disc pack HD	D = Outer diameter
E = Distance between hubs	ΔK_{aHT} = Max. permissible axial misalignment with disc pack HT	L_1 = Min. installation length (without screws)
H_3 = Width of the disc pack	ΔK_{wHD} = Max. permissible angular misalignment with disc pack HD	L_8 = Overhang length
D_1 = Max. outer diameter		d = Solid shaft diameter
		T = Transmissible torque

Ordering example

Type	Size	Disc pack	Bore diameter d_1	Shrink Disc RfN 4061 for bore diameter d_1	Bore diameter d_2	Shrink Disc RfN 4061 for bore diameter d_2
TND QCQ	98	HD	50	68 x 115	60	68 x 115

Further information on RINGFEDER ° TND QCQ on www.ringfeder.com

Technical Information

- The specified values for transmissible torques are valid as follows: Shaft tolerance h6 for shaft diameters up to 50 mm; Shaft tolerance g6 for shaft diameters from 50 mm; Surface quality $R_a \leq 3.2 \mu m$.
- From a peripheral speed of 30 m/s, separate balancing of the individual coupling parts is recommended.
- Without further instructions on balancing, the coupling parts are balanced individually according to DIN 21940-11 in quality G 6,3 at 1,500 1/min. The hubs and the spacer are balanced without screwed-on disc packs.



BIBUS
SUPPORTING YOUR SUCCESS

BIBUS SK, s.r.o
Trnavská 31, SK-94 901 Nitra

Tel.: 037/ 7777 911 Email: sale@bibus.sk
Fax.: 037/ 7777 999 <http://www.bibus.sk>

Disclaimer of liability

All technical details and notes are non-binding and cannot be used as a basis for legal claims. The user is obligated to determine whether the represented products meet his requirements. We reserve the right to carry out modifications at any time in the interests of technical progress.

