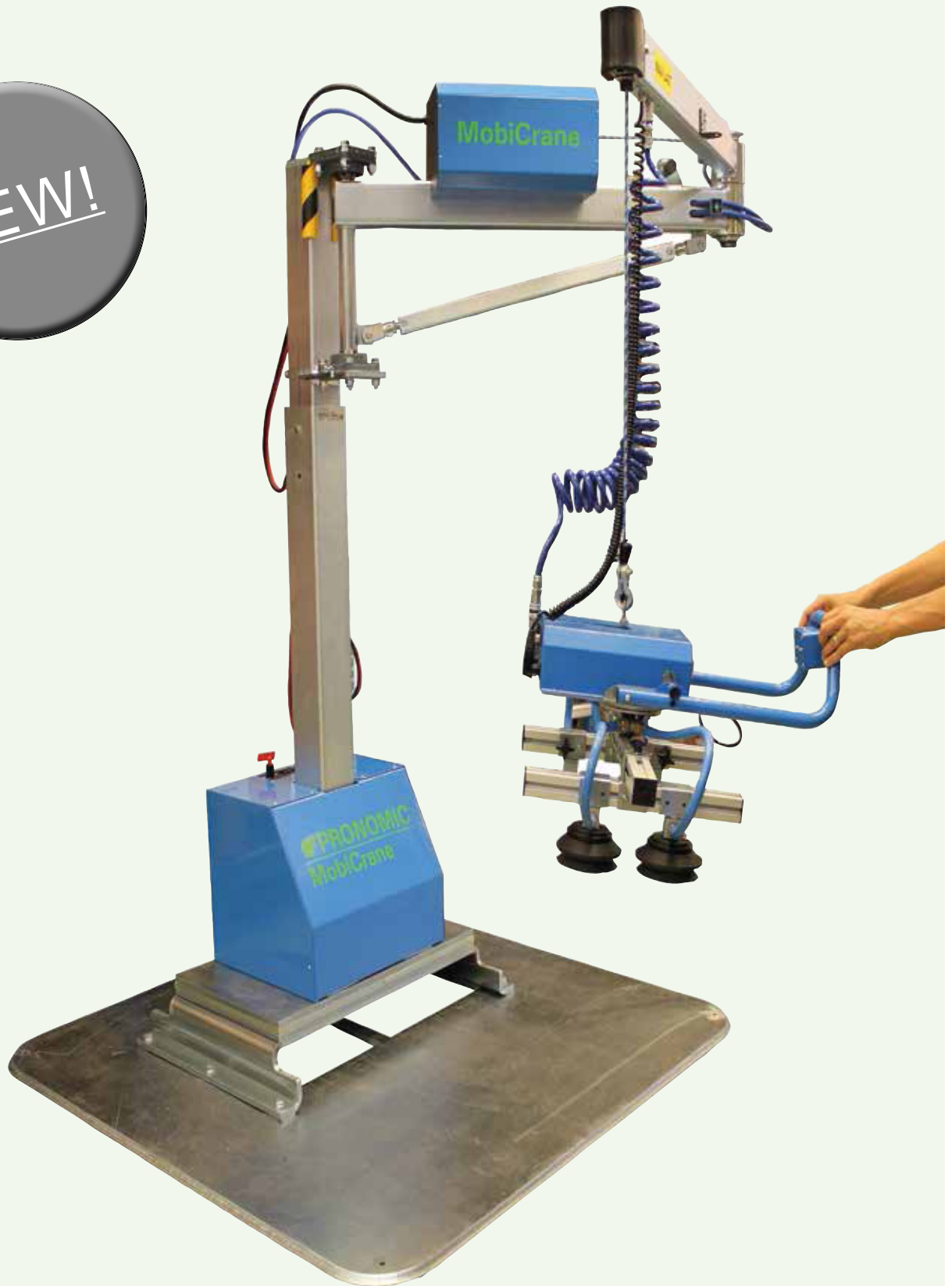


NEW!



# MobiCrane and MobiArm

Articulated jib cranes with multiple possibilities.

# MobiCrane and MobiArm

– highly mobile and easy to move

## Advantages

MobiCrane and MobiArm – a great improvement to your working environment. Lifting becomes a great deal easier, while subjecting back and body to less strain and reducing the risk of repetitive strain injuries and the rate of sick leave.

Economically you'll gain by thinking ergonomically. The economics of ergonomics makes sense.

## MobiCrane and MobiArm

Our modular design enables you to put together a crane perfectly adjusted to your needs.

The cranes can be installed in various ways, either directly in the floor, on the wall or on an existing pillar.

If you require your crane to be mobile it can be mounted on a floorplate. Like this it can easily be moved around your premises with the help of a manual pallet truck or a forklift.

Choose between mains or battery, no installation required.

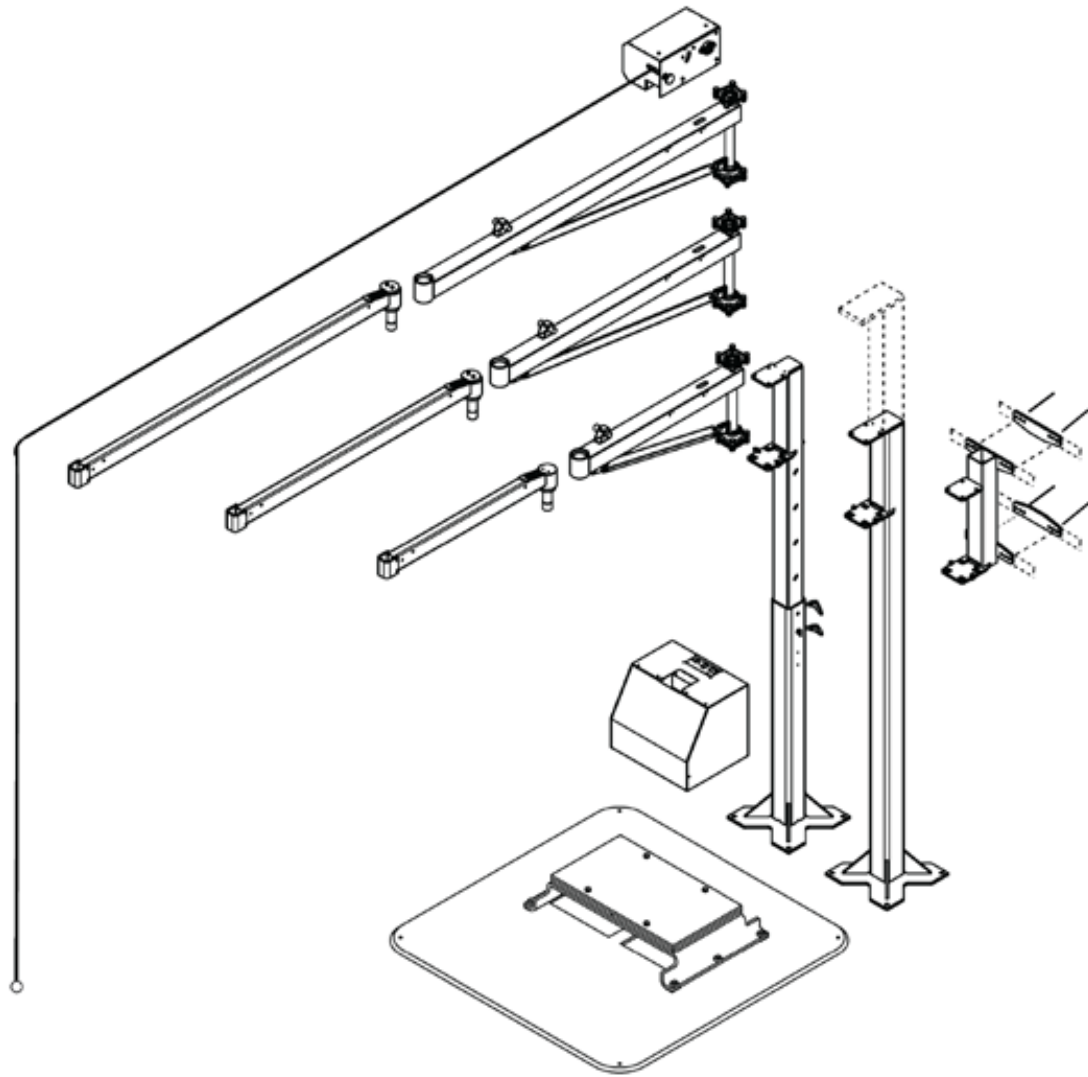
## Security features

VMS - (Vakuum Monitoring System). VMS is an integrated security system that monitors the vacuum level to ensure safe lifting. Lifting can only take place if the vacuum level is sufficient.

AVSG - (Accidental Vacuum Shut-off Guard). AVSG prevents the vacuum from unintentionally being turned off during ongoing lifting.

”  
MobiCrane and MobiArm  
require very little maintenance.  
”

# How would you like your crane?



## The modular design offers maximal flexibility.

MobiCrane and MobiArm can be combined with a number of attachments. The height of the columns is adjustable; slewing arms are available in different lengths. Mounted on one of the floorplates, the cranes are easy to move around in your premises by using a pallet jack or forklift.

**No installation required and easy to move around.**

# MobiCrane – our flexible and mobile articulated jib crane

## Modular design – for maximal flexibility

MobiCrane is our jib crane, designed for handling goods up to 85 kg. The crane construction is based on different modules, making it very easy to put together a customer-designed crane that suits your needs.

## Mobility

Mounted on a floorplate MobiCrane can easily be moved around in your premises. With the help of a pallet truck or forklift the crane can without trouble be moved between different sites of operation, making it the ideal solution at a temporary workstation.

## Adjustable or fixed column

The adjustable column can simply be adjusted to desired height. This grants greater flexibility in your production. With the column set to its lowest position it's easier to move the crane around.

## Slewing arm

Since the boom is articulated at the center, working with the slewing arm is very easy. It allows loading and unloading of goods in the entire working range. The arms are available in different lengths. It's easy to adjust the arms to compensate for sloping floors.

## Motor

The lifting function is operated by an electric motor which is equipped with an adjustable speed control to regulate the lifting speed. The motor is mounted on the folding arm, which increases flexibility and makes it possible to mount the slewing arm on an existing pillar or directly on the wall.

## Mains or batteries

MobiCrane can be connected to a standard outlet, 220V. Maintenance-free, rechargeable batteries are also available. The battery pack is mounted in the blue box on the floorplate.

## Tools - hoists

We have a large range of standard tools and can also design customized tools in accordance to your requirements. The crane can be equipped with a number of different tools, mechanical and magnetic, as well as with pneumatic/vacuum tools. The pneumatic vacuum unit is equipped with a digital vacuum gauge, which enables you to easily select permitted vacuum levels. This provides a high degree of security and prevents that lifting is attempted while the vacuum level is insufficient.

## Tools with quick-exchange device

This quick-release feature makes it very easy to switch between different tools. We have a number of quick-exchange tools with suction, hook or gripping functions.

## Maneuvering handle

For ergonomically optimal comfort the mechanical maneuvering handle is adjustable and suitable both for right and left-handed operators. The actuators are controlled with the joystick, allowing variable speed.

## Workspace

The workspace can come to be up to 47.2m<sup>2</sup>.

## Lifting height

Maximal lifting height is 3096 mm, all the way up to the bottom-side edge of the arm.

## Slack rope switch

The crane is equipped with a slack rope switch.



- Customize a crane according to your needs.

# Tools and accessories - standard or customized



**Suction cups** with soft foam-rubber strip, suitable for sacks, barrels, stone slabs, etc. Available in different designs and sizes.



**H-beam** with 4 adjustable rectangular suction cups. For lifting sheet metal, stationary and glass. A broad range of models is available.



**H-beam** with 4 adjustable bellows suction cups. A broad range of models is available.



**Mechanical maneuvering handles.** For example suitable for hooks or fork grippers. With joystick giving variable speed for up and down. Adjustable to suit both right and left-handed operators.



**Vacuum monitor,** prevents lifting if vacuum level should not be sufficient. Adjustable for the goods that is to be handled.



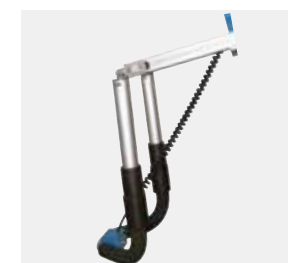
**Vacuum unit** with adjustable handle for optimal ergonomic positioning.



**Customized mechanical tool.**



**Joystick control** with variable lifting and lowering speed.



**Extended telescopic handle,** jointed to increase the radius of action.



**Round bellows suction cup** for handling of for ex. paint cans.



**Vacuum swivel,** to rotate handled goods 360°.



**Quick-exchange,** quick and simple to switch between different tools.



**Angle joint** with quick-exchange, allowing a rotation of 90°.

■ The maximum load depends on crane model, weight category and dead weight of your tool.

# Tools and accessories - Standard or customized

## Custom-designed tools - a true strength of ours

One of our main strengths is that we develop and manufacture everything ourselves.

This enables us to offer you products that are customized to all your needs and desires.





# MobiArm – our mobile and adjustable jib crane

## MobiArm is our crane for lifting heights between 1816 mm and 2716 mm

MobiArm is our adjustable and mobile jib crane, an excellent alternative to regular column jib cranes. The crane can be installed in several different ways, either directly in the floor, on a wall, or, on a pillar by means of brackets.

If you need to have a more flexible production site, the crane can be mounted on a floorplate. Like this, the crane can easily be moved around between your workstations, simply with the help of a manual pallet truck or forklift.

### Adjustable or fixed column

Columns are available in different heights. With the adjustable column the height can easily be set to the desired height. Having done so, you are also able to make best use of work space that happens to have low ceilings. This ensures flexibility, and, with the column set to its lowest position, moving the crane around becomes simple.

### Slewing arms

MobiArm is equipped with an articulated slewing arm. Arms are available in different lengths, from 2 to 4 meters.

The arm is equipped with a low-friction ball-bearing which makes it very easy to use.

### Maximum Load

With a 2-meter arm the maximum load is up to 100 kg.

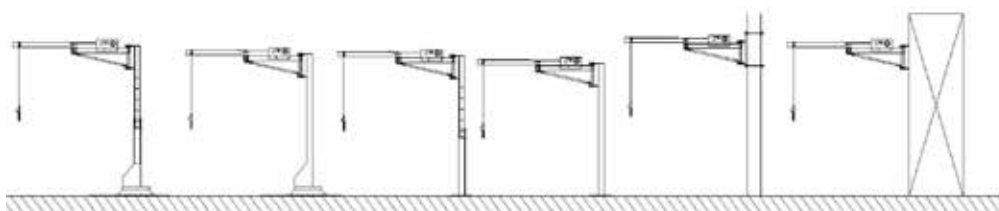


”  
 MobiArm is today ensuring that work gets done ergonomically and safely – all over the world and in a wide range of industries.  
 ”

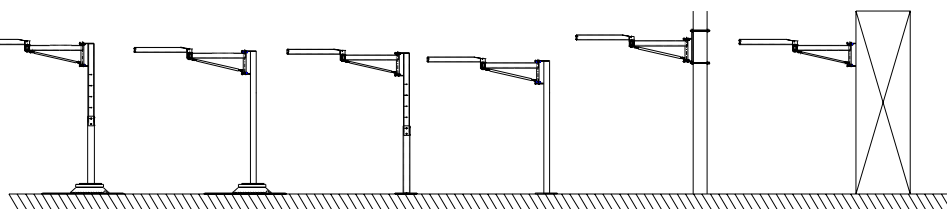
■ Flexible lifting height, extended working range and space.

## Size, configuration and model – your needs decide

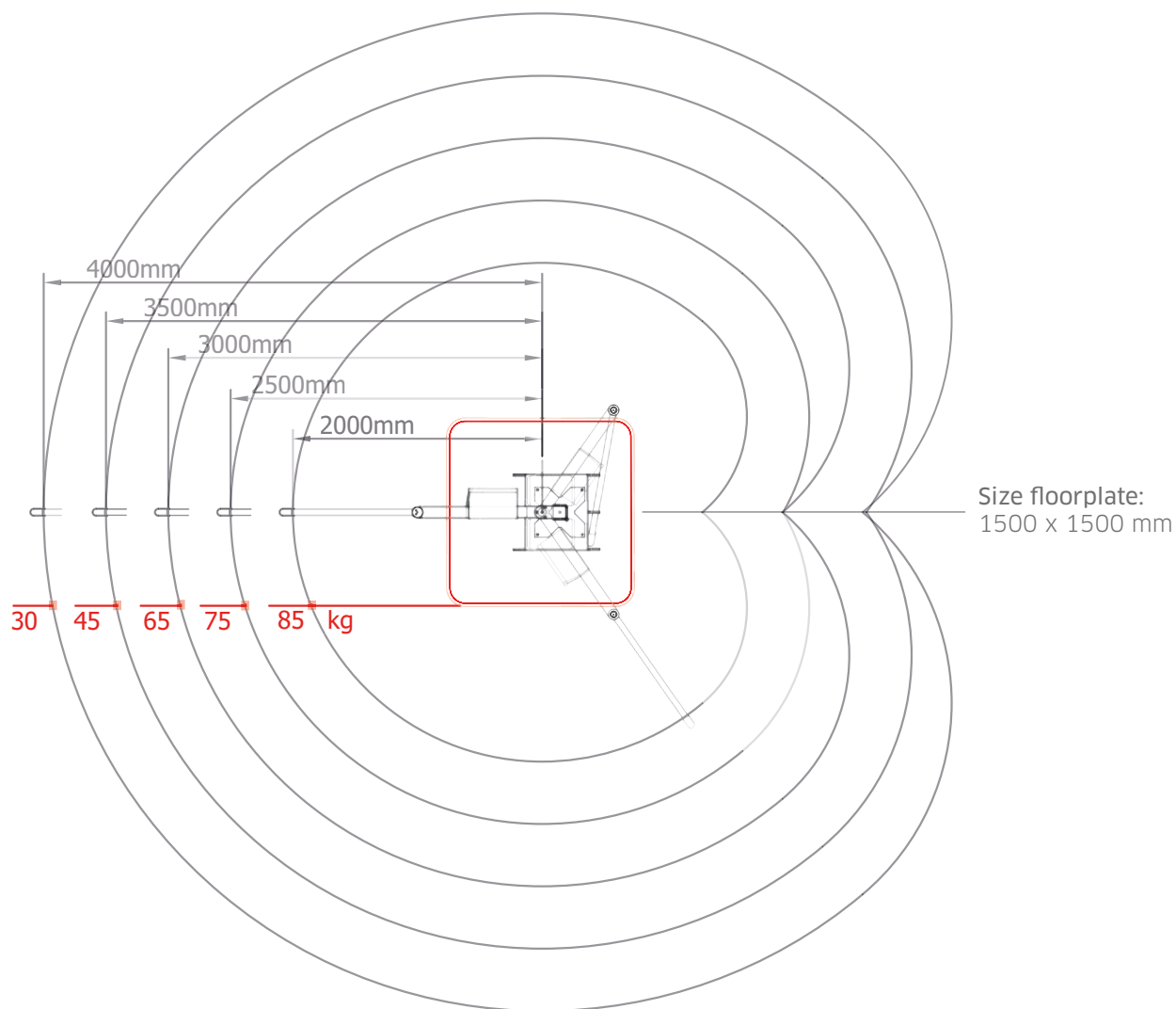
### MobiCrane



### MobiArm



# Flexible lifting height, extended working range and space



## Technical data

MobiCrane	Max height	Min. height	Armlength m	Workspce m <sup>2</sup>	Max load
Adjustable column	3350 mm*	1945 mm*	2, 2.5, 3, 3.5, 4	11.8, 18.8, 26.6, 36.7, 47.2	85 kg
Fixed column	2706 mm*	-	2, 2.5, 3, 3.5, 4	11.8, 18.8, 26.6, 36.7, 47.2	85 kg
MobiArm					
Adjustable column	3306 mm*	1901 mm*	2, 2.5, 3, 3.5, 4	11.8, 18.8, 26.6, 36.7, 47.2	85 kg
Fixed column	2486 mm**	-	2, 2.5, 3, 3.5, 4	11.8, 18.8, 26.6, 36.7, 47.2	100 kg

\*mounted on a floorplate. \*\*mounted in the floor.

**BIBUS SK, s.r.o**  
 Trnavská 31  
 94901 Nitra  
 Tel.: +421 377 777 911  
 plavak@bibus.sk  
 www.bibus.sk



©2015 Pronomic AB  
 All rights reserved.

All information quoted is believed to be correct at time of print.  
 Pronomic reserves the right to alter product specifications without prior consultation.

MobiCrane MobiArm - ENG- 20160111

**BIBUS**  
 SUPPORTING YOUR SUCCESS

**PRONOMIC**