

# STERLING III

Ex ec LED Linear

The **Sterling III** LED is a high quality, cost effective linear which realises further improvements over the Sterling II family, and features a lightweight, single geartray design for ease of installation and maintenance.

The luminaire also features electronic control gear, with optional 3hr battery back up, and is available with or without internal opal diffusers to suit any Industrial application.



## Mounting Options

Ceiling. Wall. Suspended. Pole.

## Standard Specification

Sterling III Ex ec LED Linear

Type of Protection	Ex ec (Increased Safety)
Protection Standards	EN/IEC 60079-0, EN/IEC 60079-7, EN/IEC 60079-31
ATEX Classification	Group II Category 3 GD
Area Classification	Zone 2 and Zone 22 areas to EN/IEC 60079-10-1 and EN/IEC 60079-10-2
Certificate	Type Examination Certificate CML16ATEX4101X IECEX Certificate of Conformity IECEX CML16.0044X
Coding	Ex ec IIC T4 Gc Ex tc IIIC T76°C Dc
Enclosure	GRP with prismatic polycarbonate diffuser and stainless steel retaining clips
Geartray	White coated zintec
Entry	2 x 20mm diameter clearance holes
Termination	4 core 4mm <sup>2</sup> max conductor with through wiring 16A rating
Installation	Two clearance holes for M8 fasteners located on rear of body, sealing washers provided
Control Gear	Electronic Driver
Colour Temperature (CCT)	4000K (Neutral White)
Colour Rendering Index (Ra)	≥70
Maintenance	Access via diffuser secured by quick release stainless steel clips
Battery	Internal Ni-Cd (6V) (Emergency version only)
Emergency Duration	3 Hours (03L = 26%; 06L = 14%; 09L = 10%)
Ingress Protection	IP65 to EN 60529
Surge Protection	4kV line to line, 6kV line to earth
Electrical Supply	120-277V AC, 50/60Hz 127-300V DC 220-240V AC, 50/60Hz (Emergency version only)

## Features

Highly **Energy Efficient**

Lightweight and **slimline construction**

**155,000 maintenance free hours** at 45°C (L70)



For all sales and product enquiries please contact Chalmit Sales  
T: +44 (0) 141 882 5555 E: sales@chalmit.com



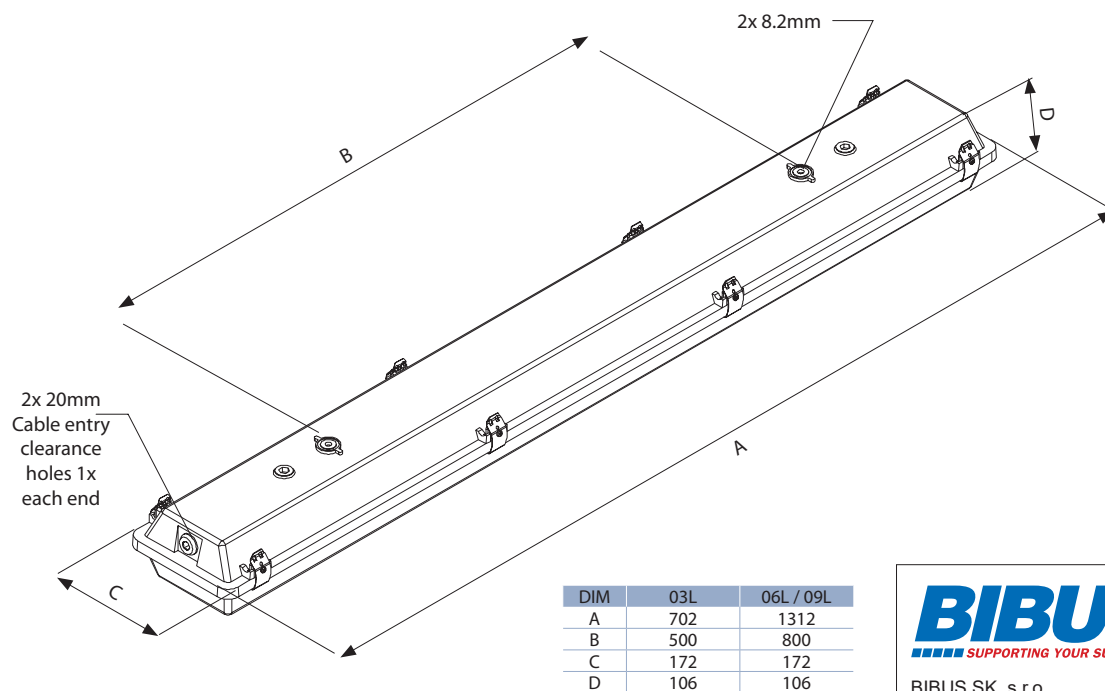
Std. Cat No.	Delivered Output	Power Consumption	Tclass	T °C (Dust)	Ambient °C	Weight
<b>ST3N/03L/LE</b>	3594 lm	24W	T4	76	-20 to +55	2.8kg
<b>ST3N/06L/LE</b>	6244 lm	44W	T4	76	-20 to +50	4.4kg
<b>ST3N/09L/LE</b>	8801 lm	64W	T4	76	-20 to +45	5.0kg
<b>ST3N/03L/LE/EM</b>	3594 lm	26W	T4	76	-20 to +45	3.8kg
<b>ST3N/06L/LE/EM</b>	6244 lm	48W	T4	76	-20 to +45	5.2kg
<b>ST3N/09L/LE/EM</b>	8801 lm	68W	T4	76	-20 to +45	5.8kg

Options - Suffix to Catalogue No.

<b>/OD</b>	Internal Opal diffusers (approx. 20% reduction in output)	<b>/BMT</b>	Automatic battery management test
<b>/DM</b>	DALI Dimmable driver	<b>/5K</b>	5000K (Cool White) LED Strips

## Accessories Accessories should be ordered separately

	Order Code
Pole mounting bracket assembly (38-42mm diameter poles)	<b>SPOL4-100004</b>
Pole mounting bracket assembly (48-52mm diameter poles)	<b>SPOL4-100005</b>
Pole mounting bracket assembly (58-62mm diameter poles)	<b>SPOL4-100006</b>
Hook type ceiling bracket assembly	<b>S3004-100003</b>
Ceiling bracket assembly	<b>S3004-100001</b>
Flush wall mounting bracket assembly (30° luminaire rotation)	<b>S3004-100004</b>
18W wall mounting outreach bracket (use with SPOL4-100004)	<b>NPRO4-0008</b>
36W wall mounting outreach bracket (use with SPOL4-100004)	<b>NPRO4-0012</b>
Internal Opal Diffuser Strips (03L)	<b>S3004-100005</b>
Internal Opal Diffuser Strips (06L & 09L)	<b>S3004-100006</b>



**BIBUS®**  
SUPPORTING YOUR SUCCESS

BIBUS SK, s.r.o  
Trnavská 31, SK-94 901 Nitra

Tel.: 037/ 7777 911 Email: sale@bibus.sk  
Fax.: 037/ 7777 999 http://www.bibus.sk