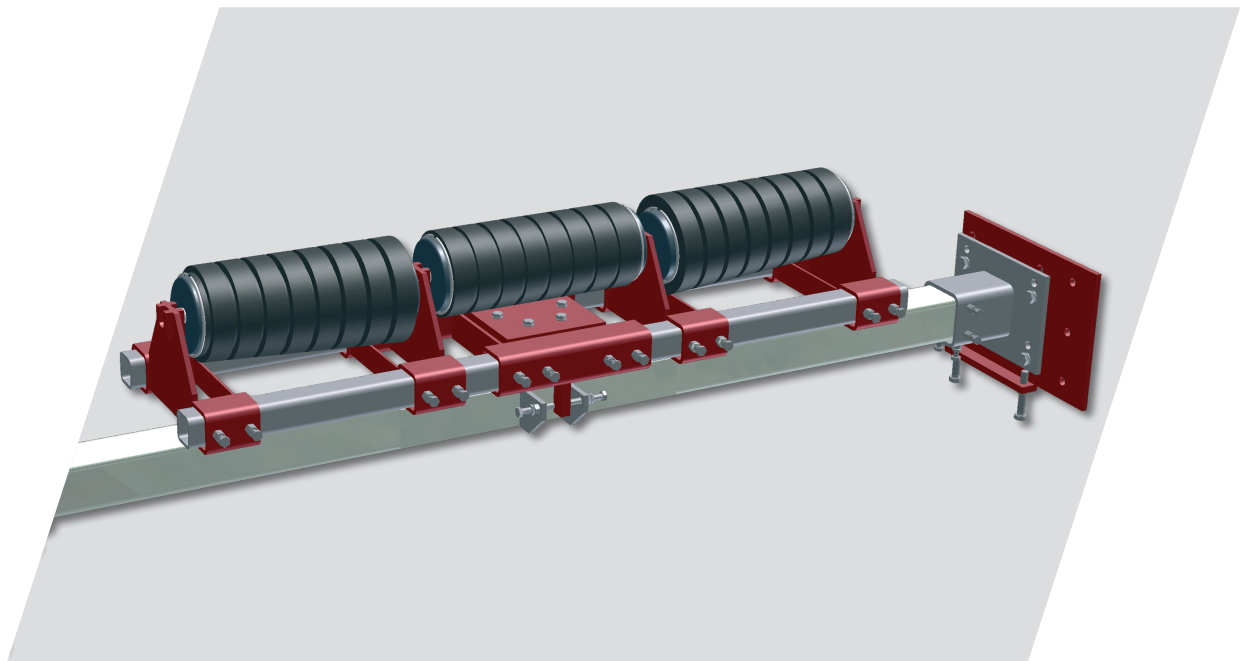


HOSCH TRACKER ROLLER SYSTEM



TYPE **RRC2/RRC3**

HOSCH Tracker Roller System

There are many reasons for mistracking of conveyor belts. Consequences of mistracking include conveyor downtime, damage to mechanical components and especially the belt itself.

Installed on the return strand of a conveyor belt, the **HOSCH** Tracker System **Type RRC2/RRC3** achieves a lateral centric movement of the belt. It is suitable for reversible belts.

To stabilize the centric belt movement by using **HOSCH** Tracking Systems means, to increase the reliability of operation, the plant availability and the life-time of the belt and mechanical components.

Highlights of the **HOSCH** Tracking System **Type RRC2/RRC3** are:

- Installed on the flat return strand of a conveyor belt
- Special roller design for unlimited reversible operation
- Designed for difficult operating conditions
- Easily adaptable to the structural framework of most conveyors
- Wear resistant, anti-electrostatic and flame retardant roller shell lagging (conforming to the ATEX-regulations)
- Heavy and stiff frame structure to handle extreme working stress
- The ball bearing equipped roller-bar guarantees efficient and quick reaction against mistracking
- Easy and quick installation / can be serviced by modular components
- High grade, maintenance free idlers with a special sealing and bearing arrangement

HOSCH Services

HOSCH will take care of you anywhere in the world. Please get in touch with us and we will come back to you – irrespective of where you are.

Our service comprises the following items:

- Technical analysis of your conveyor belt systems.
- Selection of suitable belt cleaning and belt tracking systems.
- OEM support and CAD supported installation drawings.
- Installation, maintenance and service of **HOSCH** systems.
- Additional support for the operation of your conveyor belt such as
 - the compilation of belt plans and maintenance statistics
 - spare parts management.
- The collection of accurate data from service visits will enable cost saving opportunities to be identified and implemented.

Characteristics of the Tracker Roller System



Belt width :	Type RRC2 from 1.200 mm up to 1.600 mm Type RRC3 from 1.800 mm up to 2.400 mm
Clearance :	560 mm / 580 mm (required clearance underneath the belt)
Belt speed :	Max speed = 6 m/s
Installation position :	Perpendicular (90° upright) to the belt surface
Reverse operation :	Yes - unlimited use
Pivoting angle roller-bar :	-5° to +5°
Height adjustment :	Up to 80 mm
Installation :	Mounting brackets with integrated lifting device allow for easy installation and adjustment
Service :	Maintenance-free bearing systems
Corrosion protection :	Galvanized structure, stainless steel hardware
Directions for use :	For further technical information please refer to accessory documents, such as dimension sheets, parts lists and installation & operation manuals. Different range of application must be approved by HOSCH . Please contact our technical department.

**HOSCH International (Pty) Ltd.**

Perth, Australia
tel: +61 8 9315 8000
e-mail: mail@hosch.com.au
web: www.hosch.com.au

**HOSCH Austria GmbH**

Vienna, Austria
tel: +43 (1) 22100-222
e-mail: office@hosch-austria.at
web: www.hosch-austria.at

**HOSCH do Brasil Ltda.**

Belo Horizonte, Brazil
tel: +55 31 3284-8068
e-mail: hosch@hosch.com.br
web: www.hosch.com.br

**HOSCH Chile S.p.A.**

Santiago, Chile
tel: +56 2 3263 7520
e-mail: info@hosch.cl
web: www.hosch-international.com

**HOSCH France S.A.R.L.**

Calais, France
tel: +33 1 64 13 63 60
e-mail: info@hosch.fr
web: www.hosch.fr

**HOSCH Fördertechnik RE GmbH**

Recklinghausen, Germany
tel: +49 2361 58980
e-mail: mail@hosch.de
web: www.hosch-international.com

**HOSCH (GB) Ltd.**

Thornaby, Great Britain
tel: +44 1642 751 100
e-mail: mail@hosch.co.uk
web: www.hosch.co.uk

**HOSCH Equipment (India) Limited**

Kolkata, India
tel: +91 33 3370 0400
e-mail: hosch@cal.vsnl.net.in
web: www.hosch-international.com

**PT. HOSCH Technology Indonesia**

Balikpapan, Indonesia
tel: +62 542 88 616 92
e-mail: indonesia@hosch-asia.com
web: www.hosch-asia.com

**HOSCH Italia S.R.L.**

Pontecagnano, Italy
tel: +39 089 849 052
e-mail: mail@hosch.it
web: www.hosch.it

**HOSCH Asia PLT**

Puchong, Malaysia
tel: +60 3 5879 9950
e-mail: mail@hosch-asia.com
web: www.hosch-asia.com

**HOSCH Techniki Transportowe Polska Sp. z o.o.**

Wrocław, Poland
tel: +48 71 321 92 21
e-mail: hosch@hosch.pl
web: www.hosch.pl

**HOSCH Fördertechnik (SA) (Pty) Ltd.**

Johannesburg, South Africa
tel: +27 11 826 6940
e-mail: sales@hoschsa.co.za
web: www.hoschsa.co.za

**HOSCH Iberia S.R.L.U.**

Barcelona, Spain
tel: +34 93 467 49 10
e-mail: hosch@hosch.es
web: www.hosch.es

**HOSCH Schweiz GmbH**

Rotkreuz, Switzerland
tel: +41 41 790 25 33
e-mail: info@hosch-schweiz.ch
web: www.hosch-international.com

**HOSCH COMPANY, LLLP**

Pittsburgh, USA
tel: +1 724 695 3002
e-mail: hosch@hoschusa.com
web: www.hoschusa.com

BIBUS[®]
SUPPORTING YOUR SUCCESS

BIBUS SK, s.r.o
Trnavská 31, SK-94 901 Nitra

Tel.: 037/ 7777 911 Email: sale@bibus.sk
Fax.: 037/ 7777 999 http://www.bibus.sk

© HOSCH Fördertechnik Recklinghausen GmbH

No part of this publication may be reproduced, transmitted, transcribed, stored in any retrieval system or translated into any human or computer language by any means or in any form, without the prior written permission of HOSCH Fördertechnik Recklinghausen GmbH. Contravention of the owner's copyright may also reduce the ability of HOSCH Fördertechnik Recklinghausen GmbH to provide effective support for its equipment.

HOSCH Fördertechnik Recklinghausen GmbH reserves the right to make changes without notice to both this document and to its products described within this document. Nothing in this publication represents any contractual or other commitment on the part of HOSCH Fördertechnik Recklinghausen GmbH and should not be taken as such. All possible care has been taken in the preparation of this publication.