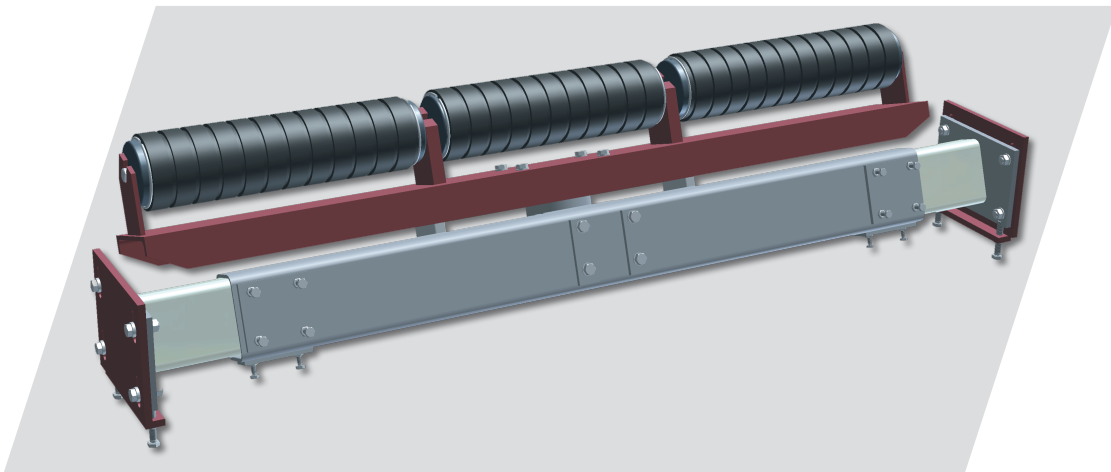
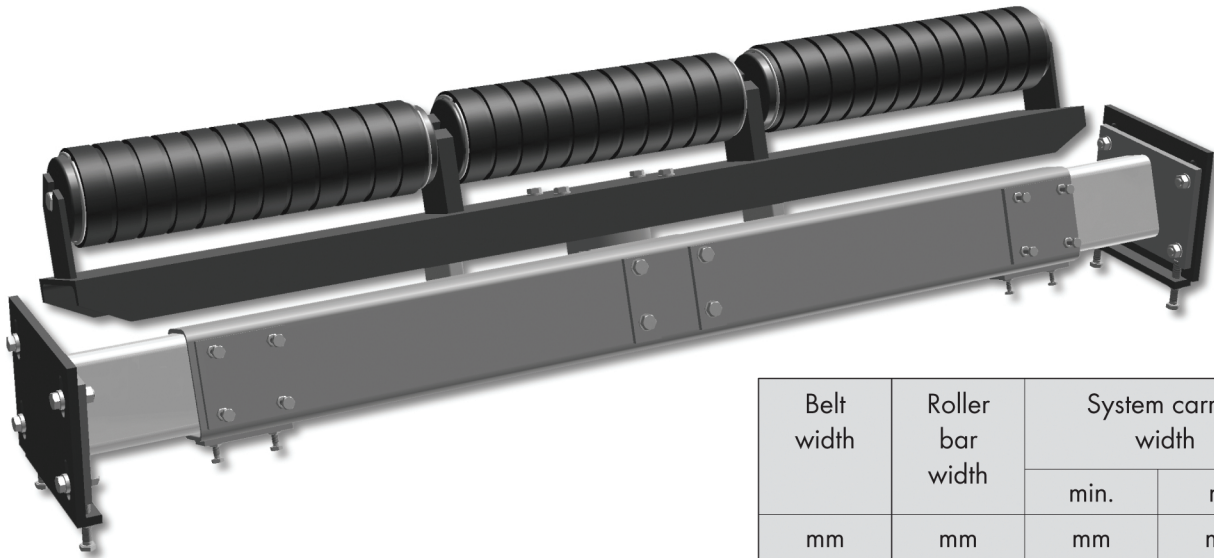


HOSCH TRACKER ROLLER SYSTEM



TYPE **RG2**



Belt width	Roller bar width	System carrier width	
		min.	max.
mm	mm	mm	mm
1200	1380	1495	2035
1400	1645	1760	2300
1600	1785	1900	2440
1800	1995	2110	2650
2000	2190	2310	2850
2200	2470	2590	3130
2400	2610	2730	3270

The Tracker Roller Type RG2 from **HOSCH** solves mis-tracking of heavy-duty conveyor belts.

The HOSCH Tracker Roller Type RG2 is designed for heavy duty conveyor applications with belt widths from 1.200 mm up to 2.400 mm.

The robust construction allows for the transmission of high steering forces under safe operating conditions.

The modular design with telescopic end sections allows for easy installation and flexible adaptation to the conveyor structure.

Characteristics of the Tracker Roller Type RG2

- External centre bearing block, fitted with high-quality radial and axial roller bearings.
- Heavy-duty system carrier with telescopic end sections to fit the conveyor structure regardless of its width.
- Crosshead roller-bar suitable for various belt widths and fitted with a swing angle limiter.
- Segmented rollers fitted with roller bearings and rubber lagging, for easy assembly to the crosshead roller-bar.
- Basically maintenance-free.



BIBUS
SUPPORTING YOUR SUCCESS

BIBUS SK, s.r.o
Trnavská 31, SK-94 901 Nitra

Tel.: 037/ 7777 911 Email: sale@bibus.sk
Fax.: 037/ 7777 999 http://www.bibus.sk