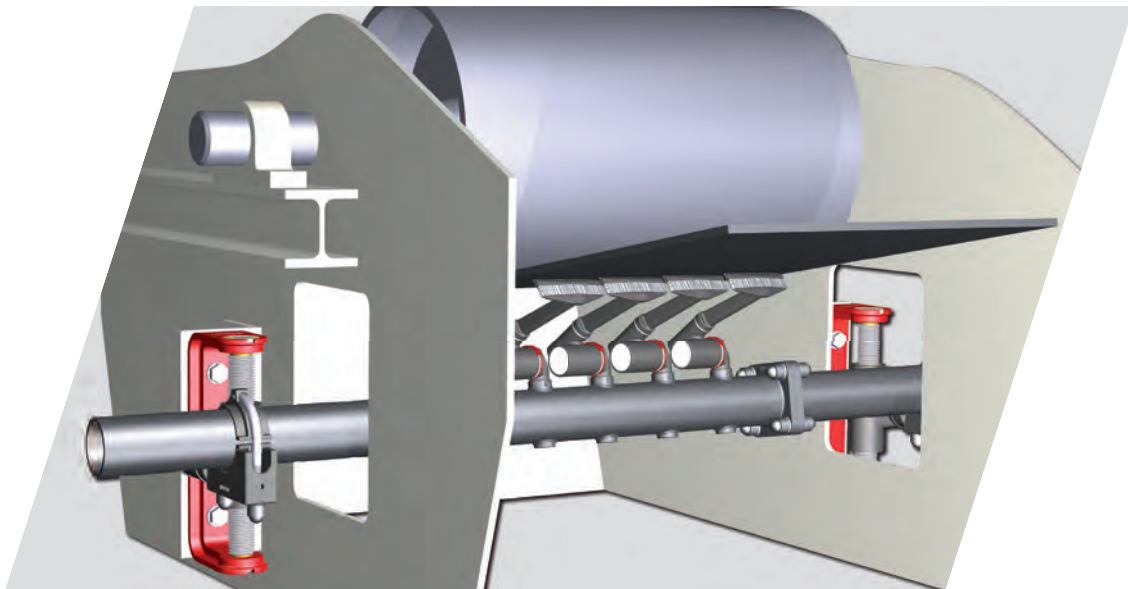


**HOSCH
SPRUNG
BLADE
SCRAPER**



TYPE **D2**

HOSCH Sprung Blade Scraper Type D2

Increased uptime to meet production targets and output demands with a reduced number of personnel is an absolute must for today´s operators of conveyor belt systems worldwide. Therefore they all require scrapers that are simple and user-friendly and achieve maximum cleaning efficiency.

HOSCH has taken up this challenge, as the internationally recognized specialist in scrapers with a unique performance, and have developed the scraper **type D2**.

The **HOSCH** scraper **type D2** will considerably increase the productivity of your conveyor system:

- Reduce the cleaning and operating costs as well as unnecessary downtime through the unique scraper performance.
- Shorten the installation and service times through the ease of the scraper´s operation.
- Increase the service intervals through the exceptional lifetime of the components.

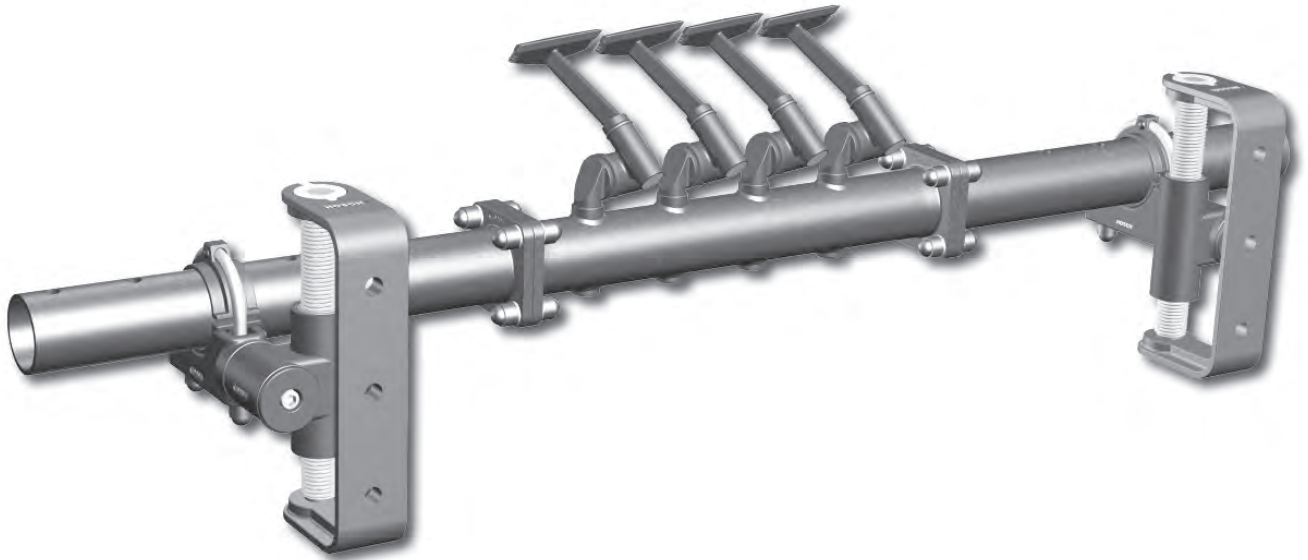
With the scraper **type D2**, **HOSCH** have defined the future of scraper technology. We invite you to join us on our way. Please visit us on our website www.hosch-international.com and receive some more detailed information.

HOSCH Services

HOSCH will take care of you anywhere in the world. Please get in touch with us and we will come back to you – irrespective of where you are. Our service comprises the following items:

- Technical analysis of your conveyor belt systems.
- Selection of suitable belt cleaning and belt tracking systems.
- OEM support and CAD supported installation drawings.
- Installation, maintenance and service of **HOSCH systems**.
- Technical support by follow up belt plans and service statistics.
- Spare parts management.
- Calculations of economic efficiency and profitability.

Characteristics of the HOSCH Sprung Blade Scraper Type D2



- Belt widths 500 mm up to 1,600 mm
- Belt speeds Up to 4.5 m/s
- Belt types For multi-ply nylon and steel-cord belts with vulcanized splicing.
- Runback Only when stopping the system.
- Reverse operation Yes, with optional disengaging device
- Installation position On the return side of the conveyor belt.
- Cleaning modules Spring-loaded single modules with individual deflection function. Replaceable tungsten-carbide tipped cleaning elements.
- Design Modular scraper design, individual set-up suitable for most conveyor applications.
- Directions for use For further technical information, please refer to the additional documentation available such as installation and operation manuals, dimension sheets and parts lists. Use in different operating conditions must be approved by **HOSCH**.

HOSCH in the United Kingdom

HOSCH (G.B.) Ltd.

97, Sadler Forster Way, Thornaby, Teesside, TS17 9JY
Tel: 01642 751 100, Fax 01642 751 448
e-mail: mail@hosch.co.uk, web: www.hosch.co.uk

The HOSCH Group

HOSCH International Pty Ltd.

Perth, Australia
e-mail: mail@hosch.com.au

HOSCH Austria GmbH

Vienna, Austria
e-mail: office@hosch-austria.at

HOSCH do Brasil Ltda.

Belo Horizonte, Brazil
e-mail: hosch@hosch.com.br

HOSCH France S.A.R.L.

Réau, France
e-mail: info@hosch.fr

HOSCH Fördertechnik GmbH

Recklinghausen, Germany
e-mail: mail@hosch.de

HOSCH Hellas Monoprosopi E.P.E.

Thessaloniki, Greece
e-mail: hosch@otenet.gr

HOSCH Equipment (India) PVT Ltd.

Calcutta, India
e-mail: hosch@cal.vsnl.net.in

HOSCH Italia S.R.L.

Pontecagnano, Italy
e-mail: mail@hosch.it

HOSCH Asia PLT

Puchong, Malaysia
e-mail: mail@hosch-asia.com

HOSCH Techniki Transportowe Polska Sp. z o.o.

Wrocław, Poland
e-mail: hosch@hosch.pl

HOSCH Fördertechnik (SA) (Pty) Ltd.

Johannesburg, South Africa
e-mail: sales@hoschsa.co.za

HOSCH Iberia S.R.L.U.

Barcelona, Spain
e-mail: hosch@hosch.es

HOSCH Schweiz GmbH

Rotkreuz, Switzerland
e-mail: mail@hosch.de

HOSCH COMPANY

Pittsburgh, USA
e-mail: hosch@hoschusa.com



©2015 HOSCH Fördertechnik GmbH

No part of this publication may be reproduced, transmitted, transcribed, stored in any retrieval system or translated into any human or computer language by any means or in any form, without the prior written permission of HOSCH Fördertechnik GmbH. Contravention of the owner's copyright may also reduce the ability of HOSCH Fördertechnik GmbH to provide effective support for its equipment.

HOSCH Fördertechnik GmbH reserves the right to make changes without notice to both this document and to its products described within this document. Nothing in this publication represents any contractual or other commitment on the part of HOSCH Fördertechnik GmbH and should not be taken as such. All possible care has been taken in the preparation of this publication.

However, if you find any errors or would like to make suggestions for improvement then write to HOSCH Fördertechnik GmbH.