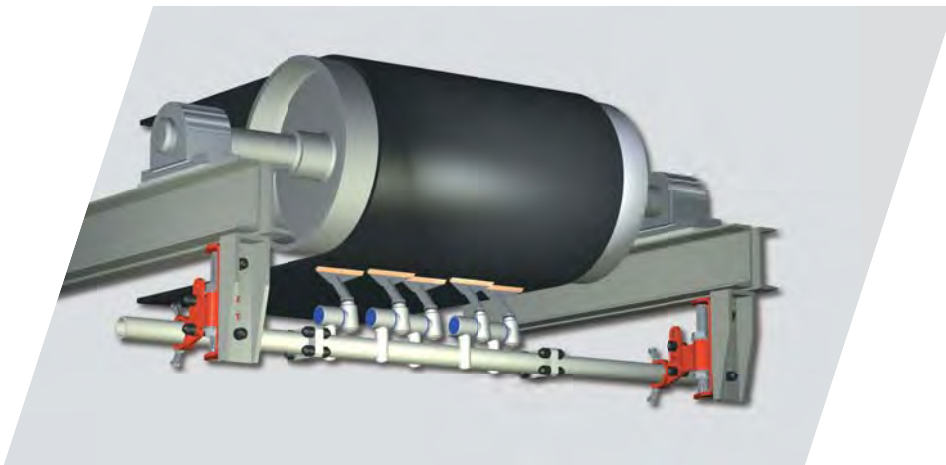


**HOSCH
SPRUNG
BLADE
SCRAPERS**



TYPE **C1[®]** **V**



Type C1® V The new dimension Smaller, lighter - With advanced technology

- The **HOSCH Sprung Blade Scraper, Type C1® V**, with self-adjustment aligns itself automatically according to the belt thickness / profile.
- The matching components of the construction kit can be assembled as required
- The scraper system offers easy assembly on site and flexibility to suit any conveyor frame.
- The modules offer maintenance free self-adjustment and push-in fastening.
- The module cleaning tips can be individually adjusted up and down.
- **Type C1® V** means greatly improved **HOSCH** precision cleaning with a compact unit and more user-friendly.

Belt width	Cleaning width	Modules	Assembly carrier length	Assembly carrier midsection length	Spindle
mm	mm	Qty.	mm	mm	Type
300	230	2	1200	300	M30
400	340	3	1420	520	
450	340	3			
500	450	4			
600	560	5	1530	630	
650	560	5			
700	560	5			
750	670	6	1640	740	
800	670	6			
900	780	7			
1000	890	8	1860	960	

HOSCH Sprung Blade Scraper Reliable state of the art

- Unsurpassed cleaning efficiency
- Installed in all industries
- Low operating costs