



# DSP8

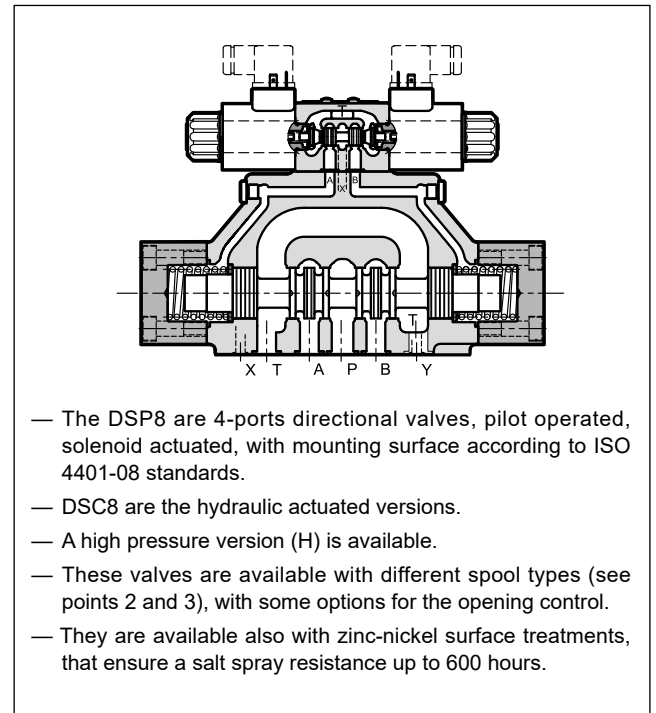
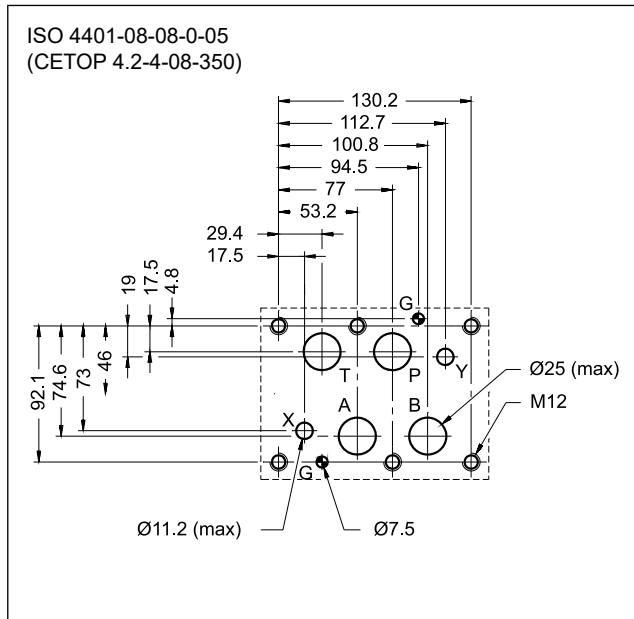
## DIRECTIONAL VALVES PILOT OPERATED, SOLENOID OR HYDRAULIC (DSC8) ACTUATED

### SERIES 10

**SUBPLATE MOUNTING**  
**ISO 4401-08**

**p** max **350** bar  
**Q** max **600** l/min

#### MOUNTING INTERFACE

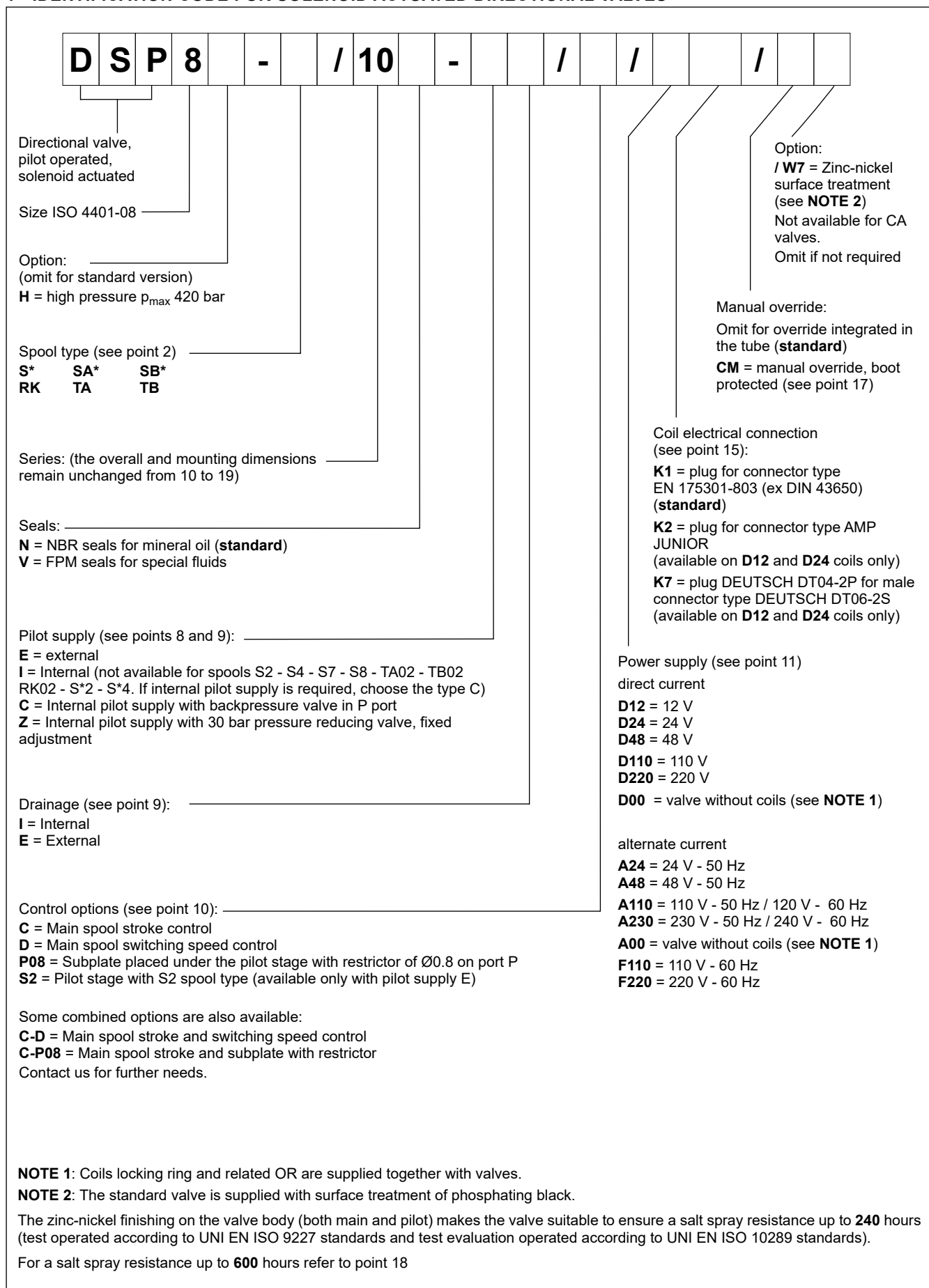


#### PERFORMANCES

(obtained with mineral oil of viscosity of 36 cSt at 50 °C)

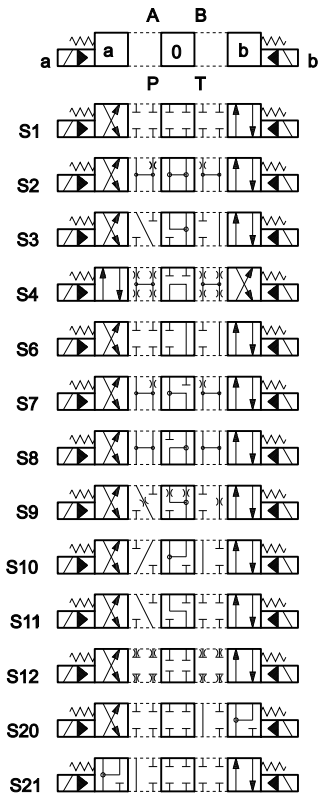
		DSP8	DSP8H
Maximum operating pressure			
- ports P - A - B	bar	350	420
- port T (external drainage)		250	350
- port T (internal drainage)		210 (DC) / 160 (AC)	210 (DC) / 160 (AC)
Maximum flow rate from port P to A - B - T	l/min	600	
Ambient temperature range	°C	-20 / +50	
Fluid temperature range	°C	-20 / +80	
Fluid viscosity range	cSt	10 ÷ 400	
Fluid contamination degree		according to ISO 4406:1999 class 20/18/15	
Recommended viscosity	cSt	25	
Mass:			
DSP8-S, RK	kg	14.5	
DSP8-T*, SA*, SB*		13	
DSC8		12.5	

## 1 - IDENTIFICATION CODE FOR SOLENOID ACTUATED DIRECTIONAL VALVES

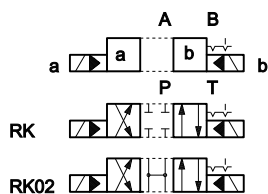


## 2 - DSP8 SPOOL TYPES

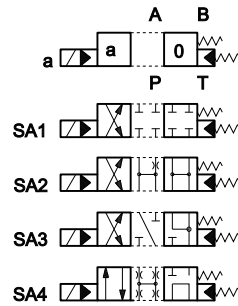
**Type S\*:**  
2 solenoids - 3 positions  
with spring centring



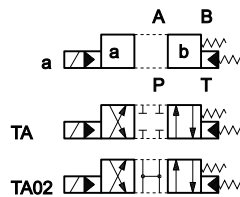
**Type RK:**  
2 solenoids - 2 positions  
with mechanical retention



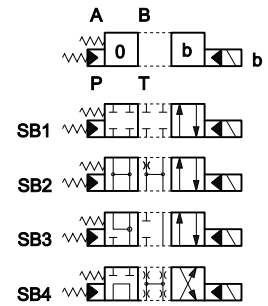
**Type SA\*:**  
1 solenoid side A  
2 positions (central + external)  
with spring centring



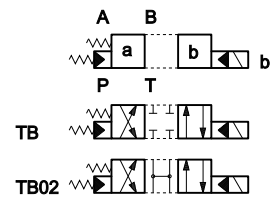
**Type TA:**  
1 solenoid side A  
2 external positions  
with return spring



**Type SB\*:**  
1 solenoid side B  
2 positions (central + external)  
with spring centring



**Type TB:**  
1 solenoid side B  
2 external positions  
with return spring



**Type 23TA / 23TB**

three-way valve - 1 solenoid - 2 external positions, return spring



Besides the diagrams shown, special versions are available: consult our technical dept. for their identification, feasibility and operating limits.

### 3 - IDENTIFICATION CODE FOR HYDRAULIC ACTUATED DIRECTIONAL VALVES

	<b>D</b>	<b>S</b>	<b>C</b>	<b>8</b>		<b>-</b>		<b>/</b>	<b>10</b>		<b>-</b>	<b>E</b>	<b>E</b>	
--	----------	----------	----------	----------	--	----------	--	----------	-----------	--	----------	----------	----------	--

Pilot operated directional valve, hydraulic actuated

Size: ISO 4401-08

Option:  
(omit for standard version)  
**H** = high pressure  $p_{max}$  420 bar

Spool type (see point 2 and below)

<b>S*</b>	<b>SA*</b>	<b>SB*</b>
	<b>TA</b>	<b>TB</b>

Option:  
**/ W7** = Zinc-nickel surface treatment (see **NOTE**)  
Omit if not required

External drain (see point 9)

External pilot (see point 9)

Seals:  
**N** = NBR seals for mineral oil (**standard**)  
**V** = FPM seals for special fluids

Series:  
(the overall and mounting dimensions remain unchanged from 10 to 19)

**Spool types**

DSC8 valves are delivered with short-circuit subplate.  
The hydraulic actuation take place by pressurization in X and Y ports.

S\*

SA\*

SB\*

TA

TB

**NOTE** : The standard valve is supplied with surface treatment of phosphating black.  
The zinc-nickel finishing makes the valve suitable to ensure a salt spray resistance up to **600** hours. (test operated according to UNI EN ISO 9227 standards and test evaluation operated according to UNI EN ISO 10289 standards).

### 4 - HYDRAULIC FLUIDS

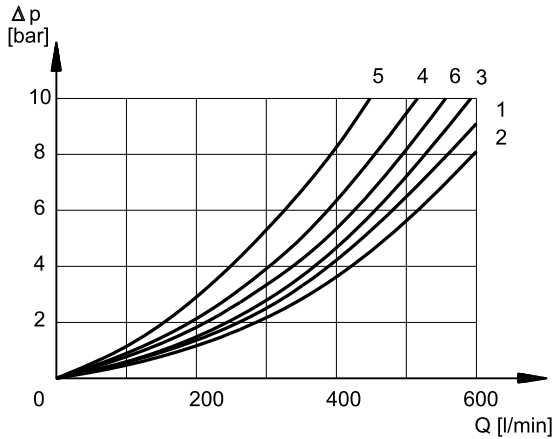
Use mineral oil-based hydraulic fluids HL or HM type, according to ISO 6743-4. For these fluids, use NBR seals (code N). For fluids HFDR type (phosphate esters) use FPM seals (code V).

For the use of other kinds of fluid such as HFA, HFB, HFC, please consult our technical department. Using fluids at temperatures higher than 80 °C causes a faster degradation of the fluid and of the seals characteristics.

The fluid must be preserved in its physical and chemical characteristics.

### 5 - DSP8 PRESSURE DROPS $\Delta p$ -Q

(values obtained with viscosity 36 cSt at 50 °C)



#### ACTUATED POSITION

SPOOL	FLOW DIRECTIONS			
	P→A	P→B	A→T	B→T
	CURVES ON GRAPH			
S1, SA1, SB1	1	1	2	3
S2, SA2, SB2	2	2	1	2
S3, SA3, SB3	1	1	1	2
S4, SA4, SB4	6	6	3	4
S6	1	1	2	2
S7	6	6	3	4
S8	6	6	4	3
S9	1	1	2	3
S10	2	2	2	3
S11	1	1	1	3
S12	1	1	2	3
S20	1	1	2	
S21	1	1		3
TA, TB	1	1	2	2
TA02, TB02	1	1	1	1
RK	1	1	2	3

#### NORMAL POSITION

SPOOL	FLOW DIRECTIONS				
	P→A	P→B	A→T	B→T	P→T
	CURVES ON GRAPH				
S2, SA2, SB2					6○
S3, SA3, SB3			4●	4▼	
S4, SA4, SB4					5
S6				4	
S7					5▼
S8					5●
S10	4●	4▼			
S11			3		
TA	1			3	

○ A-B closed ● B closed ▼ A closed

### 6 - OPERATING LIMITS

The values have been obtained with mineral oil, viscosity 36 cSt at 50 °C, and filtration ISO 4406:1999 class 18/16/13.

MAXIMUM FLOW RATES [l/min]		
	at 210 bar	at 350 bar
S4, S7, S8	500	450
All the other spools	600	500

### 7 - SWITCHING TIMES

The values indicated refer to a solenoid valve working with piloting pressure of 100 bar, with mineral oil at a temperature of 50 °C, at viscosity of 36 cSt and with P→A / B→T connections.

The energizing and de-energizing times are obtained at the pressure variation which occurs on the lines.

TIMES (± 10%) [ms]	ENERGIZED		DE-ENERGIZED	
	2 Pos	3 Pos	2 Pos	3 Pos
AC solenoid	70	40	70	40
DC solenoid	100	70	80	50

### 8 - PERFORMANCE CHARACTERISTICS

PRESSURES [bar]	DSP8	DSP8H	DSC8	DSC8H
Max pressure in P, A, B ports	350	420	350	420
Max pressure in T line with external drain	250	350	250	350
Max pressure in T line with internal drain	210 (DC) 160 (AC)	210 (DC) 160 (AC)	-	-
Max pressure in Y line with external drain	210 (DC) 160 (AC)	210 (DC) 160 (AC)	-	-
Minimum pilot supply pressure:	5 ÷ 12 (NOTE 1)			
Maximum pilot supply pressure (NOTE 2)	210	350	210	420

**NOTE 1:** The minimum piloting pressure can be the lower range value at low flows rates, but with higher flow rates the higher value is needed.

**NOTE 2:** If the working pressure is higher than these rated limits, then provide an external pilot line with  $p_{max}$  within the rated limits and purchase the valve with E type pilot supply.

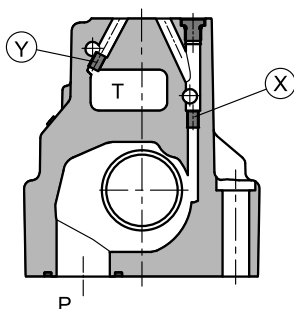
For DSP8 and DSP8H valves, if the external pilot line is not possible, you must opt for the version with Z type pilot supply (see point 9.2), providing max 350 bar at inlet pressure P.

### 9 - PILOT AND DRAIN

Valves with electro-hydraulic actuation (DSP) are available with both pilot supply and drain internal or external type. The version with external drain allows a higher back pressure on the return line.

The valves with hydraulic actuation (DSC) are available with both pilot supply and pilot return external only.

**NOTE:** The pilot supply and drainage configuration must be chosen when ordering. Subsequent modification is only permitted by authorized experienced operators or at the factory.



X: plug M6x8 for external pilot  
Y: plug M6x8 for external drain

	TYPE OF VALVE	Plug assembly	
		X	Y
IE	internal pilot and external drain	NO	YES
II	internal pilot and internal drain	NO	NO
EE	external pilot and external drain	YES	YES
EI	external pilot and internal drain	YES	NO

### 9.1 - C type pilot supply: internal pilot supply with backpressure valve in P port

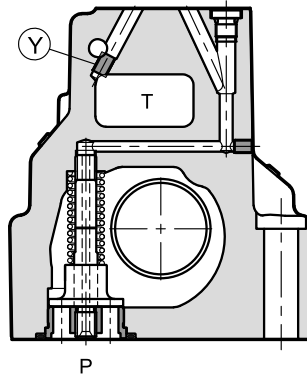
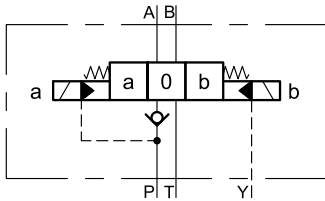
DSP8 valves are available with incorporated backpressure valve in the P port.

This is in order to reach the minimum pilot supply pressure at normal position in valves in which the inlet port (P) and the return port (T) are connected (spools S2, S4, S7, S8, S\*2, S\*4, TA02, TB02, RK02).

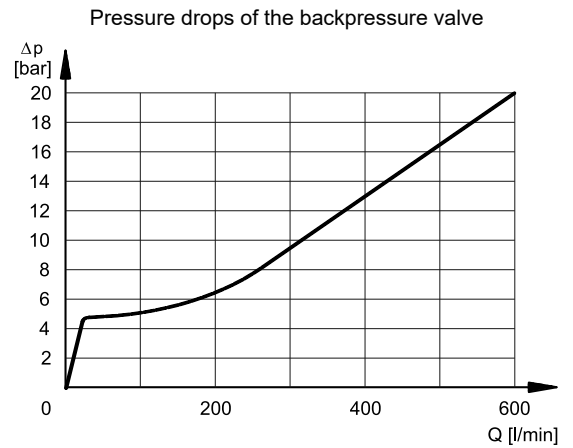
The pressure differential of the backpressure valve is to be added to that of the main valve, showed at page 5.

The cracking pressure is approx 6 bar at 15 l/min.

**NOTE:** The backpressure valve doesn't assure the seal so it has not be intended as a check valve.



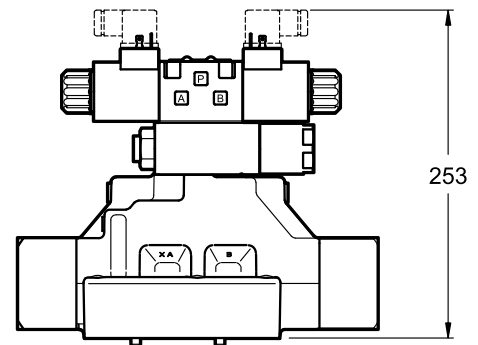
Y: plug M6x8 for external drain



### 9.2 - Z type pilot supply: internal pilot supply with pressure reducing valve

The Z type pilot supply consists of an arrangement with internal pilot and 30 bar supply pressure to the pilot stage by means of a fixed adjustment pressure reducing valve placed between the main stage and the pilot valve.

DSP8-\*/Z\*



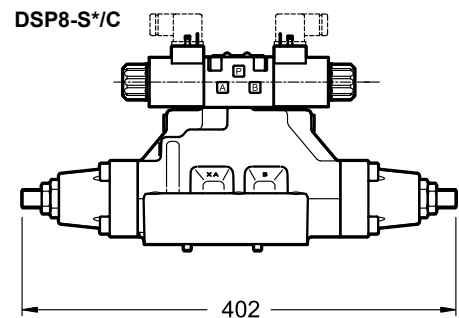
## 10 - OPTIONS

### 10.1 - Control of the main spool stroke: C

Stroke control for the main spool is possible by means of special side covers so as to vary the maximum clearance opening.

This solution allows control of the flow rate from the pump to the actuator and from the actuator to the outlet, obtaining a double adjustable control on the actuator.

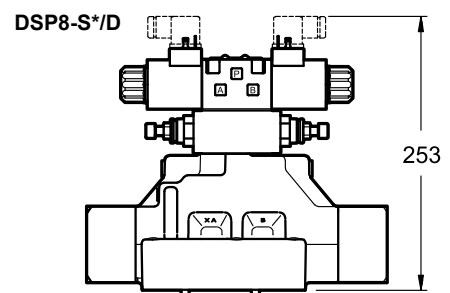
Add the letter **C** in the identification code to order this version (see point 1).



### 10.2 - Control of the main spool shifting speed: D

By placing a double flow control valve (MERS type) between the pilot solenoid valve and the main stage, the pilot supply flow can be adjusted and therefore the changeover smoothness can be varied.

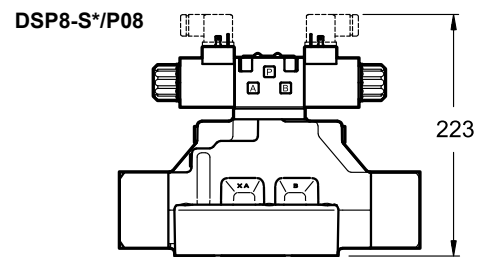
Add the letter **D** in the identification code to order this version (see point 1).



### 10.3 - Subplate with throttle on line P

It is possible to introduce a subplate with a restrictor of  $\varnothing 0.8$  in line P between the pilot solenoid valve and the main stage. Subplate width 10 mm.

Add **P08** in the identification code to order this version (see point 1).



### 10.4 - Pilot stage with S2 spool

This version is used in association with the external type pilot to allow the pilot line to be unloaded when the valve is in the normal position.

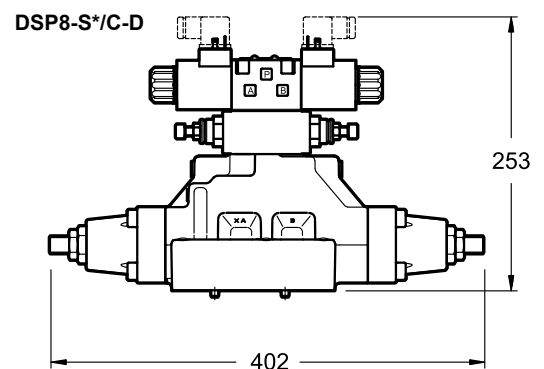
The pilot supply must be external type (E).

Add **S2** to the identification code to order this option (see point 1).

### 10.5 - Control of the main spool stroke and of the shifting speed: C-D

It is possible to have the valve fitted with both the main spool stroke control (C option) and the main spool shifting speed control (D option)

Add **C-D** in the identification code to order this version (see point 1).





### 11 - ELECTRICAL FEATURES

#### 11.1 - Solenoids

These are essentially made up of two parts: tube and coil. The tube is threaded into the valve body and includes the armature that moves immersed in oil, without wear. The inner part, in contact with the oil in the return line, ensures heat dissipation. The coil is fastened to the tube by a threaded ring, and can be rotated 360°, to suit the available space.

#### Protection from atmospheric agents IEC 60529

The IP protection degree is guaranteed only with both valve and connectors of an equivalent IP degree, correctly connected and installed.

electric connection	electric connection protection	whole valve protection
<b>K1</b>	IP65	IP65
<b>K2</b>	IP65/67	
<b>K7</b>	IP65/67	

<b>SUPPLY VOLTAGE FLUCTUATION</b>	± 10% V <sub>nom</sub>
<b>MAX SWITCH ON FREQUENCY</b>	8.000 ins/hr
<b>DUTY CYCLE</b>	100%
<b>ELECTROMAGNETIC COMPATIBILITY (EMC) (NOTE)</b>	In compliance with 2014/30/EU
<b>LOW VOLTAGE</b>	In compliance with 2014/35/EU
<b>CLASS OF PROTECTION</b> Coil insulation (VDE 0580) Impregnation: DC valve AC valve	class H class F class H

**NOTE:** In order to further reduce the emissions, with DC supply, use of type H connectors is recommended. These prevent voltage peaks on opening of the coil supply electrical circuit (see cat. 49 000).

#### 11.2 - Current and absorbed power for DC solenoid valve

The table shows current and power consumption values of the DC coils.

Using connectors type "D" (see cat. 49 000) with embedded bridge rectifier it is possible to feed DC coils (starting from 48V voltage) with alternating current (50 or 60 Hz), considering a reduction of the operating limits (see point 6).

#### Coils for direct current (values ±10%)

	Nominal voltage [V]	Resistance at 20°C [Ω]	Current consumpt. [A]	Power consumpt [W]	Coil code		
					K1	K2	K7
<b>D12</b>	12	4,4	2,72	32,7	1903080	1903100	1902940
<b>D24</b>	24	18,6	1,29	31	1903081	1903101	1902941
<b>D48</b>	48	78,6	0,61	29,5	1903083		
<b>D110</b>	110	423	0,26	28,2	1903464		
<b>D220</b>	220	1692	0,13	28,2	1903465		

#### 11.3 - Current and absorbed power for AC solenoid valve

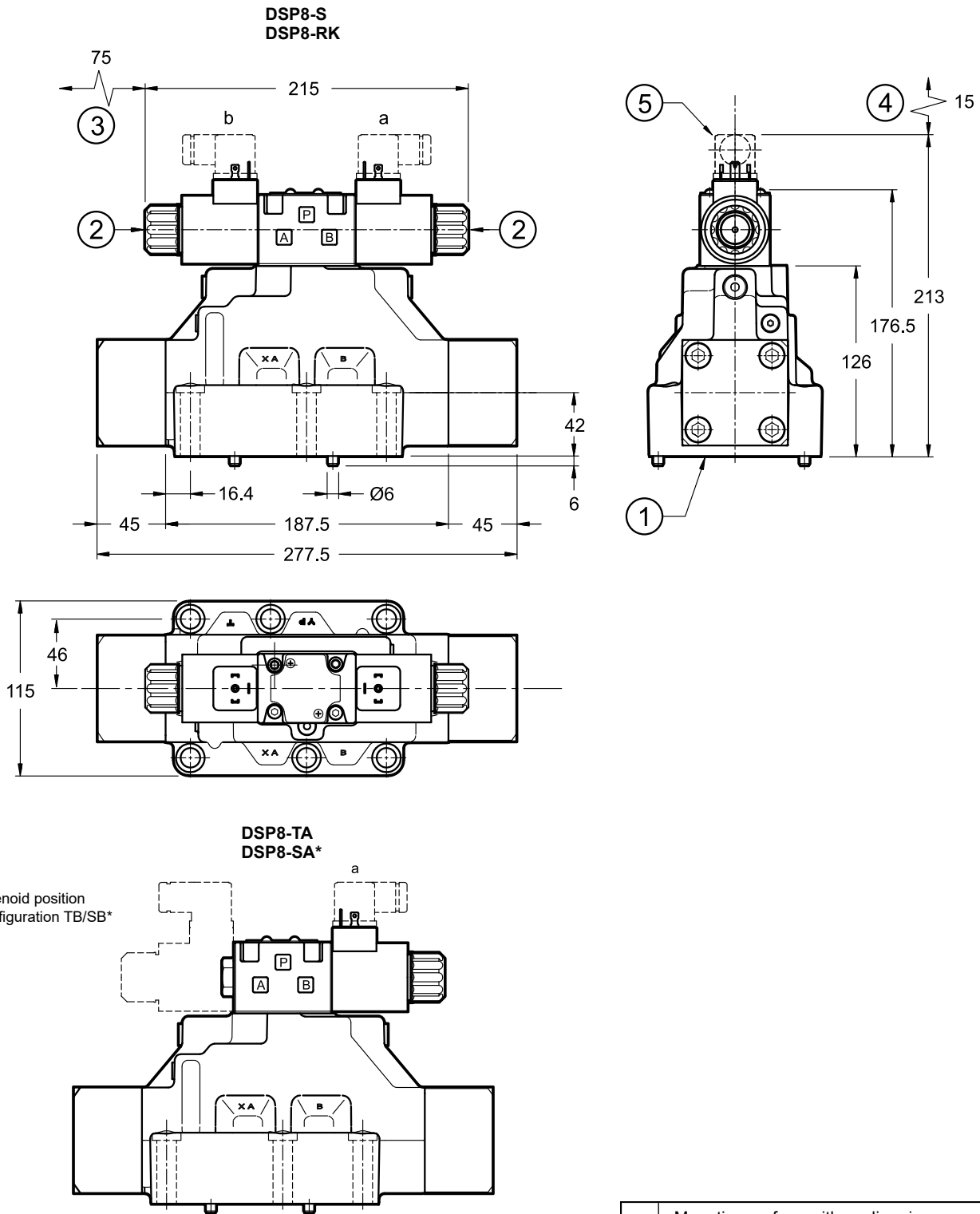
The table shows current and power consumption values at inrush and at holding, for AC coils.

#### Coils for alternating current (values ± 5%)

Suffix	Nominal Voltage [V]	Freq. [Hz]	Resistance at 20°C [Ω]	Current consumption at inrush [A]	Current consumption at holding [A]	Power consumption at inrush [VA]	Power consumption at holding [VA]	Coil availability K1
<b>A24</b>	24	50	1.69	5.81	1.32	139	32	1902830
<b>A48</b>	48		6.02	3.78	0.86	182	41	1902831
<b>A110</b>	110V-50Hz 120V-60Hz	50/60	33	1.76	0.40	194	44	1902832
				1.54	0.35	185	42	
<b>A230</b>	230V-50Hz 240V-60Hz		135	0.92	0.21	213	48	1902833
				0.79	0.18	190	43	
<b>F110</b>	110	60	28.5	1.45	0.33	160	36	1902834
<b>F220</b>	220		103	0.92	0.21	203	46	1902835

## 12 - DSP8 OVERALL AND MOUNTING DIMENSIONS

dimensions in mm

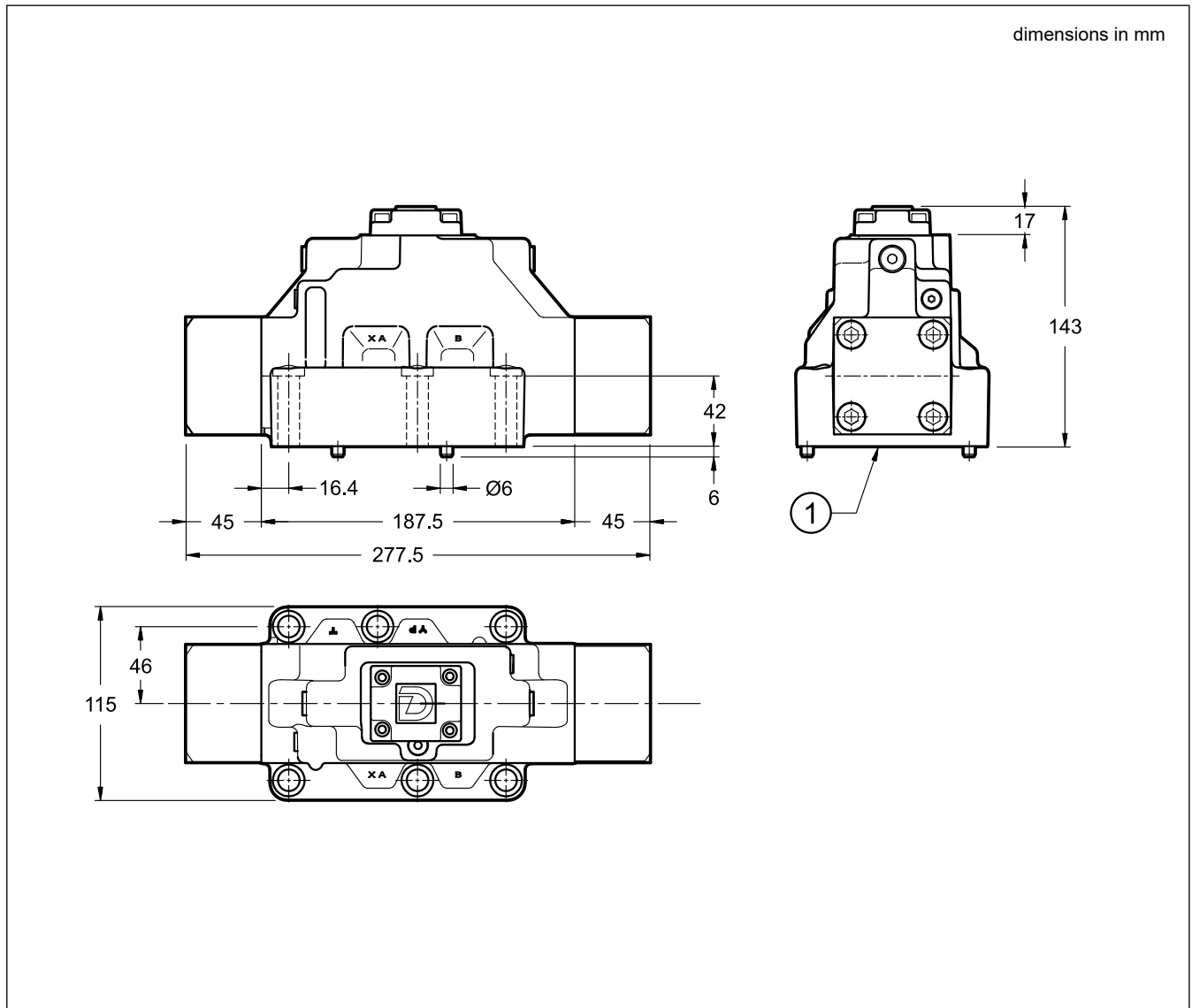


**NOTE:** fastening screws of class A 10.9 are prescribed for the DS\*8H valves for high pressure.

Valve fastening: N. 6 SHC M12x60 bolts - ISO 4762
Tightening torque: 69 Nm (A 8.8 bolts) - 96 Nm (A 10.9 bolts)
Thread of mounting holes: M12x20

1	Mounting surface with sealing rings N. 4 OR type 3131 (32.99x2.62) - 90 Shore N. 2 OR type 3087 (21.89x2.62) - 90 Shore
2	Manual override
3	Coil removal space
4	Connector removal space
5	Electric connector to be ordered separately (see cat. 49 000)

### 13 - DSC8 OVERALL AND MOUNTING DIMENSIONS



**NOTE:** fastening screws of class A 10.9 are prescribed for the DS\*8H valves for high pressure.

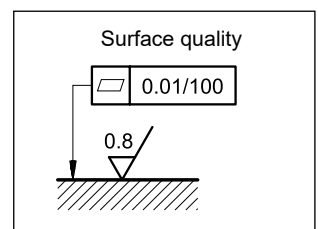
Valve fastening: N. 6 SHC M12x60 bolts - ISO 4762	1	Mounting surface with sealing rings N. 4 OR type 3131 (32.99x2.62) - 90 Shore N. 2 OR type 3087 (21.89x2.62) - 90 Shore
Tightening torque: 69 Nm (A 8.8 bolts) - 96 Nm (A 10.9 bolts)		2
Thread of mounting holes: M12x20		

### 14 - INSTALLATION

Configurations with centring and recall springs can be mounted in any position; type RK valves - without springs and with mechanical detent - must be mounted with the longitudinal axis horizontal.

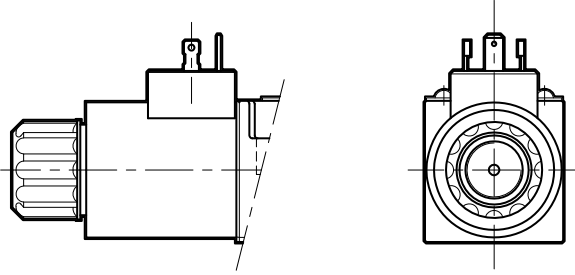
Valve fastening takes place by means of screws or tie rods, laying the valve on a lapped surface, with values of planarity and smoothness that are equal to or better than those indicated in the drawing. If the minimum values of planarity or smoothness are not met, fluid leakages between valve and mounting surface can easily occur.

**NOTE:** fastening screws of class A 10.9 are prescribed for the DS\*8H valves for high pressure.

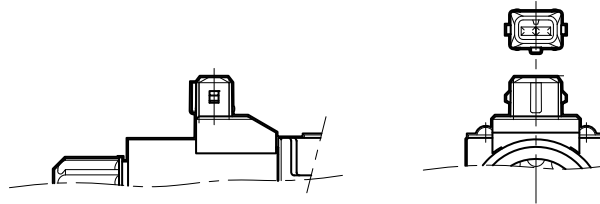


## 15 - ELECTRIC CONNECTIONS

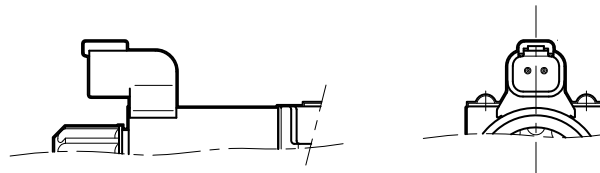
connection for EN 175301-803  
(ex DIN 43650) connector  
code **K1 (standard)**  
code **WK1** (W7 version only)



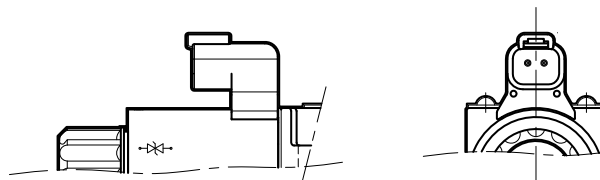
connection for AMP JUNIOR  
connector  
code **K2**



connection for  
DEUTSCH DT06-2S male connector  
code **K7**



connection for  
DEUTSCH DT06-2S male connector  
code **WK7** (W7 version only)  
code **WK7D** (W7 version only - coil  
with diode)



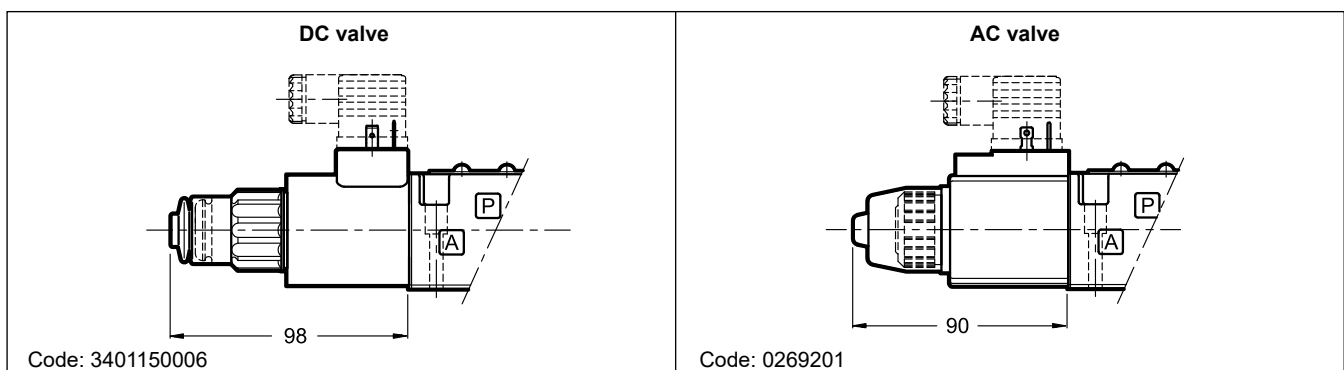
## 16 - ELECTRIC CONNECTORS

Solenoid operated valves are delivered without connectors. Connectors type EN 175301-803 (ex DIN 43650) for K1 connections can be ordered separately. See catalogue 49 000.

## 17 - MANUAL OVERRIDE

Whenever the solenoid valve installation may involve exposure to atmospheric agents or use in tropical climates, a boot protected manual override is recommended.

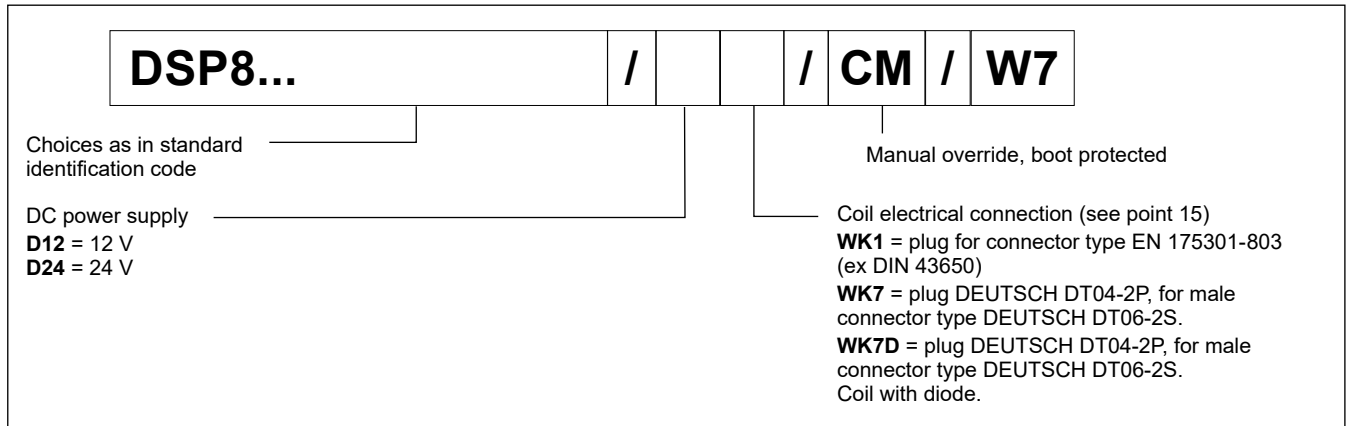
Add **/CM** at the end of the identification code to order this version (see point 1).



## 18 - HIGH IP DEGREE AND CORROSION RESISTANCE VERSION

These versions are available for the basic valve (without control options of par. 10, with the exception of S2 option) only. The boot manual override (CM) is installed as standard in order to protect the solenoid tube.

### 18.1 - Identification code



### 18.2 - Corrosion resistance

This version features the zinc-nickel coating on all exposed metal parts of the valve, making it resistant to exposure to the salt spray for **600** hours (test performed according to UNI EN ISO 9227 and assessment test performed according to UNI EN ISO 10289).

### 18.3 - DC coils

The coils feature a zinc-nickel surface treatment.

The WK7D coil includes a suppressor diode of pulses for protection from voltage peaks during switching. During the switching the diode significantly reduces the energy released by the winding, by limiting the voltage to 31.4V in the D12 coil and to 58.9 V in the D24 coil.

(values  $\pm 10\%$ )

	Nominal voltage [V]	Resistance at 20°C [Ω]	Current consumpt. [A]	Power consumpt [W]	Coil code		
					WK1	WK7	WK7D
<b>D12</b>	12	4,4	2,72	32,7	1903590	1903580	1903600
<b>D24</b>	24	18,6	1,29	31	1903591	1903581	1903601

### 18.4 - Protection from atmospheric agents IEC 60529

The IP protection degree is guaranteed only with both valve and connectors of an equivalent IP degree, correctly connected and installed.

electric connection	electric connection protection	whole valve protection
<b>WK1</b>	IP66	IP66
<b>WK7</b>	IP66/IP68/IP69 IP69K*	IP66/IP68/IP69 IP69K*
<b>WK7D</b>	IP66/IP68/IP69 IP69K*	IP66/IP68/IP69 IP69K*

(\*) The IP69K protection degree is not taken into account in IEC 60529 but it is included in ISO 20653.

**NOTE:** As regards the liquid ingress protection (second digit), there are three means of protection.

Codes from 1 to 6 are related to water jets.

Rates 7 and 8 are related to immersion.

Rate 9 is reserved for high pressure and temperature water jets.

This means that IPX6 covers all the lower steps, rate IPX8 covers IPX7 but not IPX6 and lower, instead IPX9 does not cover any of them.

Whether a device meets two types of protection requirements it must be indicated by listing both the tests separated by a slash.

(E.g. a marking of an equipment covered both by temporary immersion and water jets is IP66/IP68).



19 - SUBPLATES  
(see catalogue 51 000)

Subplates are supplied with phosphating black surface treatment. The subplate is not suitable for DS\*8H high pressure valves.

Type with rear ports	-
Type with side ports	PME5-AL8G
P, T, A, B port dimensions	1 1/2" BSP
X, Y port dimensions	1/4" BSP



**BIBUS**<sup>®</sup>  
SUPPORTING YOUR SUCCESS

BIBUS SK, s.r.o  
Trnavská 31, SK-94 901 Nitra

Tel.: 037/ 7777 911    Email: [sale@bibus.sk](mailto:sale@bibus.sk)  
Fax.: 037/ 7777 999    <http://www.bibus.sk>

**DIPLOMATIC**  
MOTION SOLUTIONS  
a member of **DAIKIN** group

**DIPLOMATIC MS Spa**  
via Mario Re Depaolini, 24 | 20015 Parabiago (MI) | Italy  
T +39 0331 895111 | E [vendite.ita@duplomatic.com](mailto:vendite.ita@duplomatic.com) | [sales.exp@duplomatic.com](mailto:sales.exp@duplomatic.com)  
[duplomaticmotionsolutions.com](http://duplomaticmotionsolutions.com)