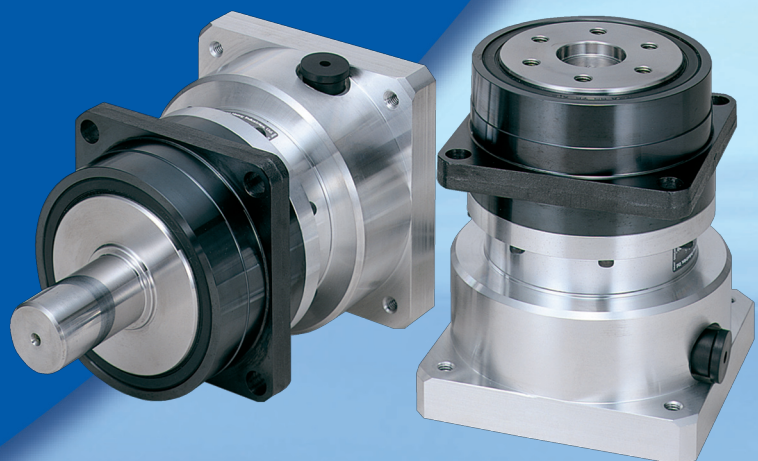


Sumitomo Drive Technologies
Always on the Move

New IB Series P1 Type

Low-Backlash Planetary
Gear Reducer for Servo Motors



More Reduction Ratios! 1/3.7, 1/11, 1/81
Three-Minute Backlash Available!

Jan. 2007

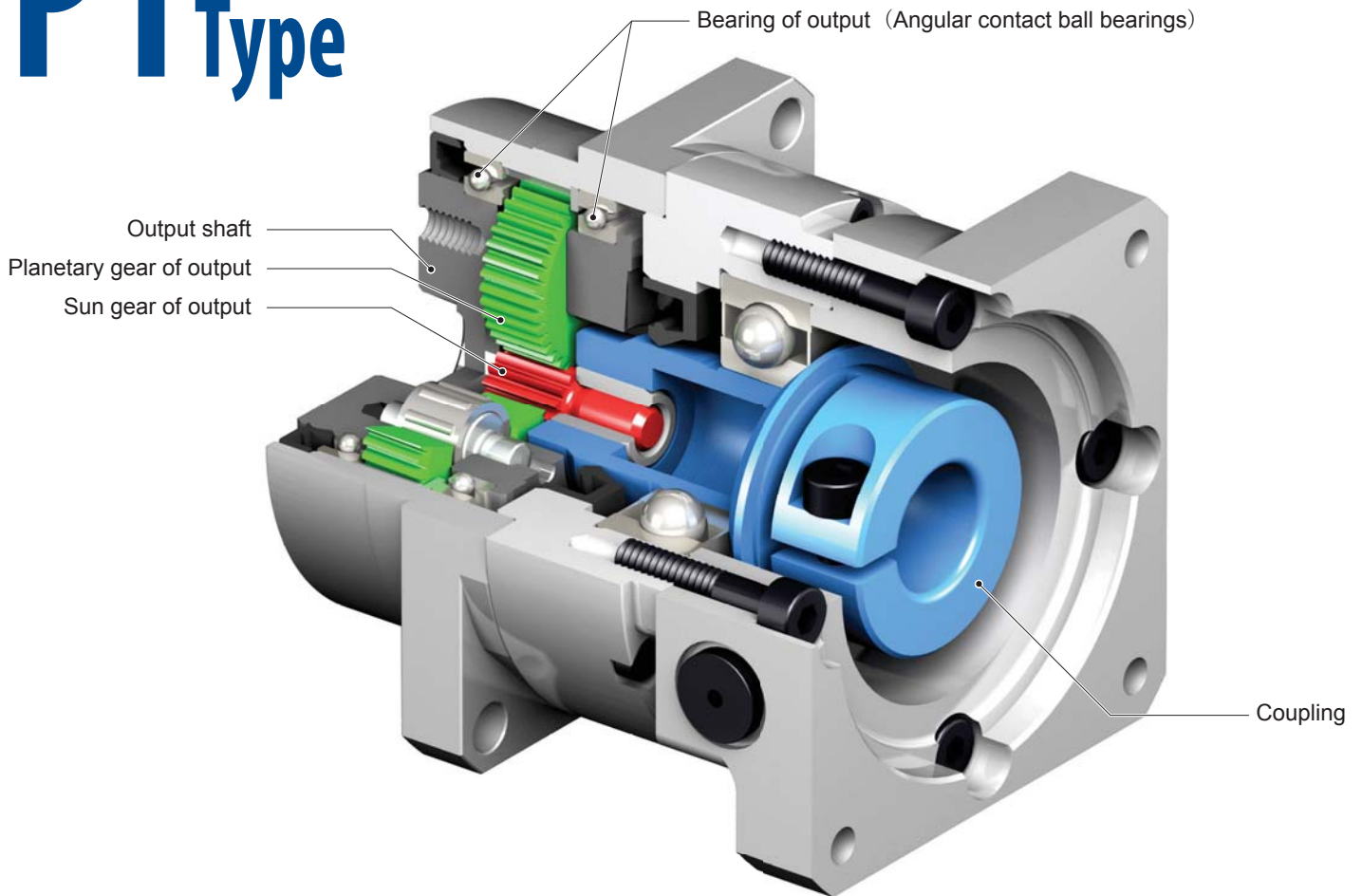
Table of Contents

Features	... 2
Standard Specification, Construction, and Mechanism	... 6
Nomenclature	... 7
Selection Table 1 (Frame Size Combination Table for Each Motor Rated Speed)	... 8
Selection Table 2 (Frame Size Combination Table for Each Servo Motor Manufacturers)	... 9
1. Yaskawa Electric Corporation	... 9
2. Mitsubishi Electric Corporation	... 13
3. Matsushita Electric Industrial Co., Ltd.	... 15
4. Sanyo Denki Co., Ltd.	... 16
5. Fuji Electric FA Components & Systems	... 17
6. FANUC Ltd.	... 18
7. KEYENCE	... 19
Selection Table 3 (Rating Table) (Allowable External Rating)	... 20 ... 22
Selection Procedure	... 24
Dimension Drawings	... 26
Solid Shaft	... 26
Flange Shaft	... 53
Durability Check of Output Shaft Part	... 80
Formula for Calculation of Moment of Inertia and GD^2	... 83
Formula for Calculation of Moment of Inertia, Load Torque, and Acceleration Torque	... 84
Moment of Inertia (at Motor Shaft)	... 85
GD^2 (at Motor Shaft)	... 86
Mechanical Precision of Output Part of the Reducer	... 87
Motor Attachment Procedure	... 88
Motor Precision	... 89
Warranty and Safety Precautions	... 90

IB Series P1 Type

Low-backlash Planetary Gear Reducer for Servo Motors

IB Series P1 Type



Specification

- Backlash Initial backlash setting is 3 or 15-minute
- Rated torque 10.5-101Nm
- Motor capacity 50W-5000W
- Reduction ratio 1/3.7, 1/5, 1/9, 1/11, 1/15, 1/21, 1/33, 1/45, 1/81
- Allowable maximum input speed 6000r/min
- Reduction system Planetary gear mechanism

Features

- **No.1** Compactness in the Industry
Large diameter precision angular bearing, supporting output shaft, allows large radial load with compact casing.
- Responsiveness to Newest Servo Motors for Simpler Applications!
- Short delivery response

Purpose

- Transfer robots
- Peripheral equipment for robots
- FA equipment related
- Semi-conductor production machine
- Machine tools
- Loader drive and shaft motion
- Wrapping machines
(bag making and pillow wrapping)
- Wood-working machine
- Medical equipment
- Monitoring camera
- Vending machine
- Analyzing machine
- Measuring equipment
- Laser processing machine

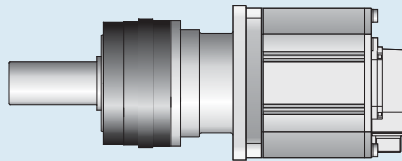
No. 1 Compactness in Our Industry

Significant size and mass reduction in low reduction ratio and medium capacity range.

New Release

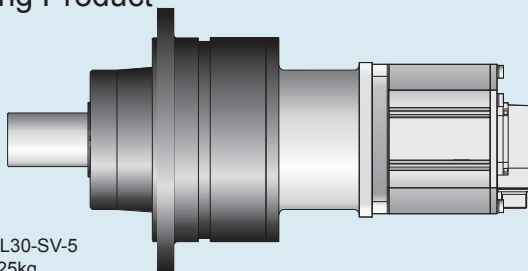
Mass reduced to about 1/3

ANFX-P130N-1ZLD-5
Mass 8.4kg



Existing Product

ANFJ-L30-SV-5
Mass 25kg

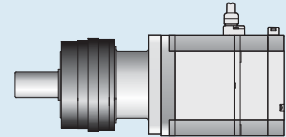


Comparison of Reduction Ratio 5 for 3500W

New Release

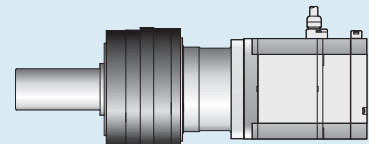
Mass reduced to about 1/2

ANFX-P120N-7XLD-5
Mass 2.7kg



Existing Product

ANFX-P35N-7XLC-5
Mass 6.3kg



Comparison of Reduction Ratio 5 for 1500W

Output shaft Variation

Three variations available to match customers' needs. Optimal selection possible for your application.



Keyless solid shaft type



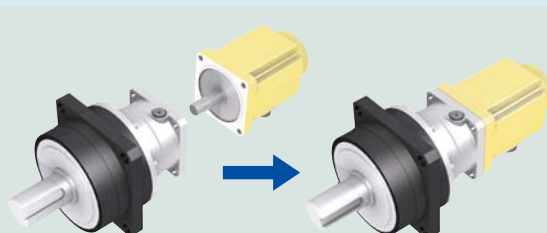
Flange shaft type



Solid shaft type with keyway

Assembly

Simple assembly. Directly connect servo motor and reducer with bolt (provided by customer) after delivery. Tighten motor shaft with hexagon wrench. Ready for immediate use.






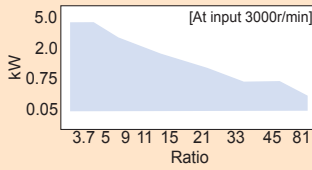
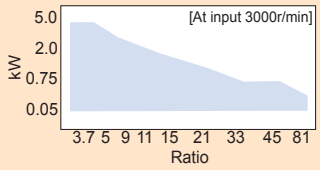
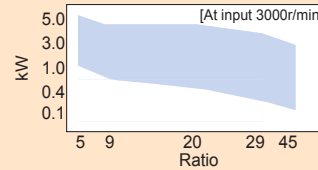
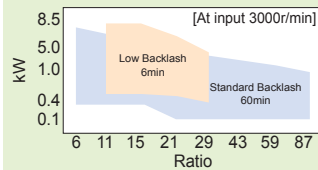
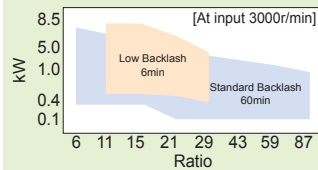
Keyless Type Servo Motor



Input Side Clamp

IB Series P1 Type

Motion Control Drives Product Lineup

<p>CYCLOR®DRIVE F Series</p> <p>Flat type component Lost motion 0.5-1.0 arcmin</p>  <p>Torque [N.m]</p>  <p>Refer to separate catalog No.F2001</p>	<p>Speed Reducer for Servo Motors IB Series</p> <p>NEW P1 Type Backlash 3min 15min</p>  <p>Solid shaft type Flange shaft type</p> <p>[At input 3000r/min]</p>  <p>This catalog</p>	<p>L Type Backlash 3min</p>  <p>[At input 3000r/min]</p>  <p>Refer to separate catalog No.Z2002</p>	<p>CYCLOR®DRIVE LB Series (Backlash) STD Series</p> <p>Backlash LB Series 6min STD Series 60min</p>  <p>With mounting base Foot mount</p> <p>[At input 3000r/min]</p>  <p>Refer to separate catalog No.C2103</p>
--	---	--	--

IB Series Manufacture Range

Motor Rated Speed 3000 [r/min]

Servo motor Capacity [W]	Reduction Ratio								
	3.7	5	9	11	15	21	33	45	81
50									
100									
200									
300									
400									
500									
600									
750									
1000									
1200									
1500									
2000									
2500									
3000									
3500									
4000									
4500									
5000									

Reduction ratio of Ltype: 1/20 for *1 and 1/29 for *2



Motion Control Drive of Sumitomo Drive Technologies are available for various areas requiring precision control.

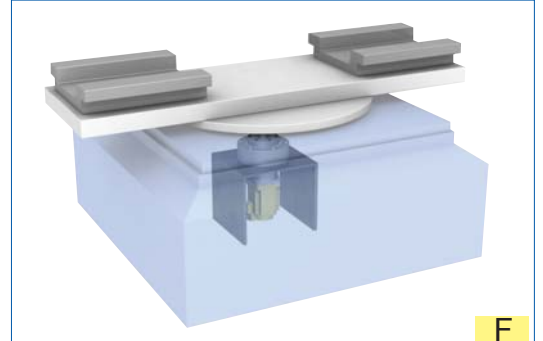
Application Examples

Recommended models: **F** CYCLOR DRIVE F Series
IB IB Series
SV CYCLOR DRIVE for servo motors



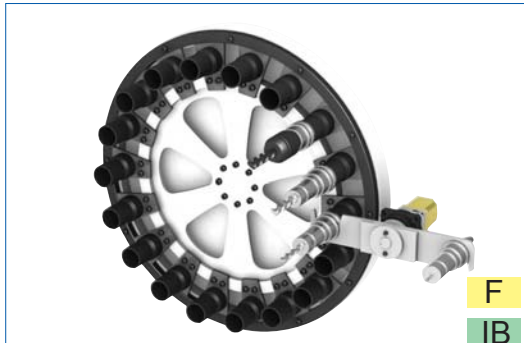
F
IB

Industrial Robot
Axis Driving, Robot Slider



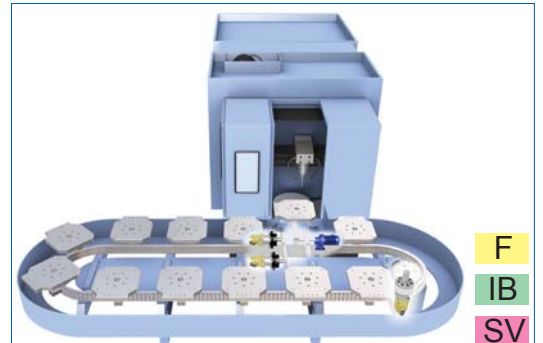
F

Machine Tool
Automatic Pallet Changer Drive



F
IB

Machine Tool Magazine Drive



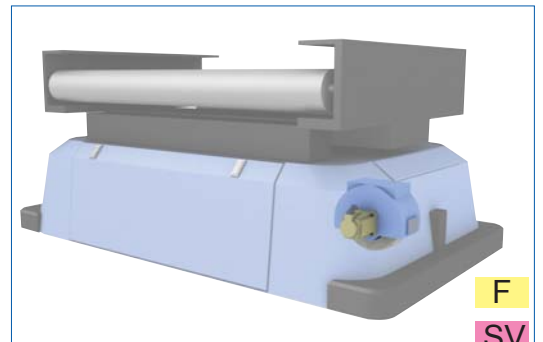
F
IB
SV

Machine Tool
Automatic Pallet Pool Drive



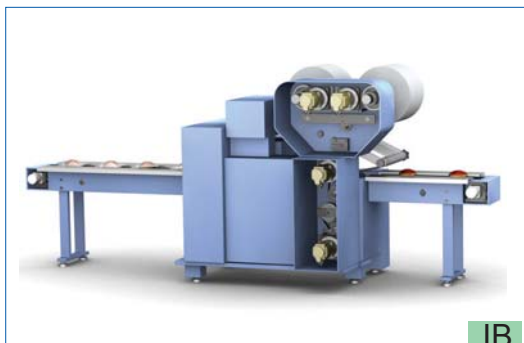
IB
SV

Peripheral Equipment for Machine Tool
Loader, Unloader



F
SV

FA Equipment (AGV Driving)



IB

Packaging Machine
(Pillow-Shape Wrapping Machine)



F
IB

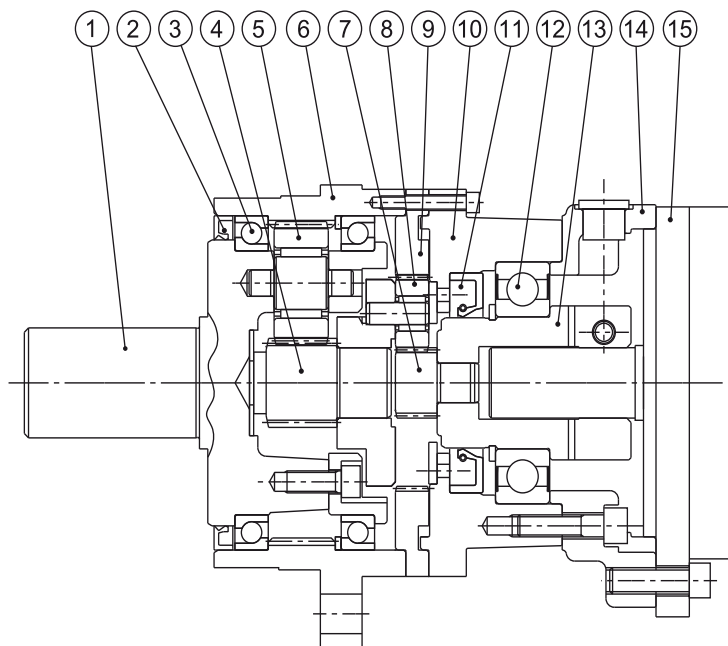
Liquid Crystal Transfer Robot
Axis Driving, Robot Slider

Standard Specification, Construction, and Mechanism

Standard Specification

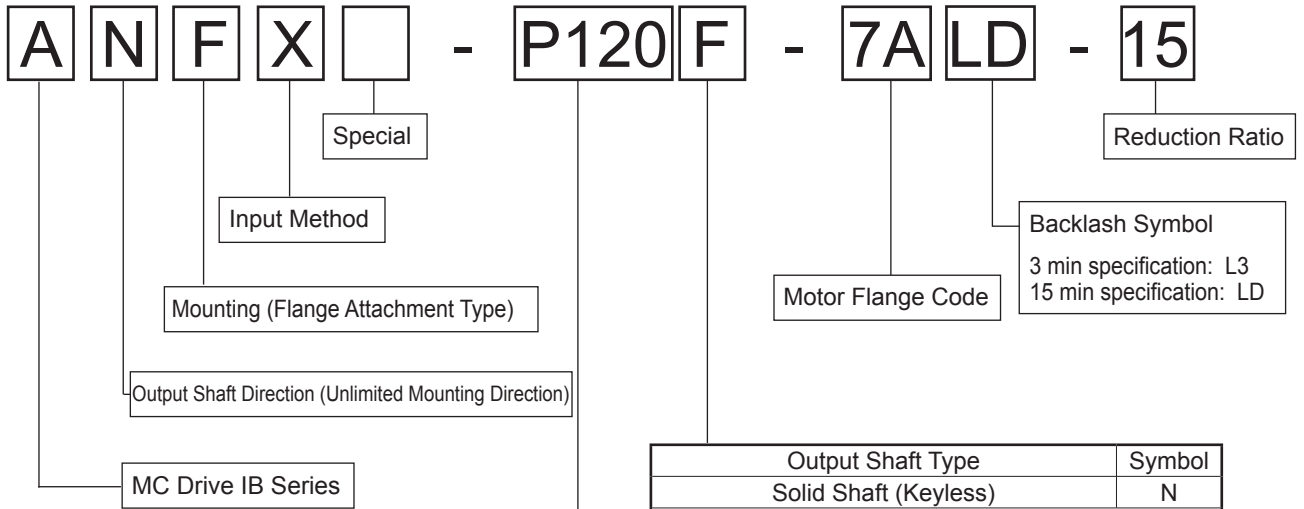
Backlash	Initial backlash setting is 3 or 15-minute.
Efficiency	90% or more at rated output torque (with reduction ratio 3.7, 5, 9)
Noise Level	70dB(A) 0.5m *Varies depending on models and mounting condition.
Lubrication system	Grease lubrication The unit is filled with grease at the time of shipping. It is ready for immediate use.
Reduction system	Planetary gear mechanism Single stage type (Reduction Ratio: 3.7, 5, 9) Double stage type (Reduction Ratio: 11, 15, 21, 33, 45, 81)
Output shaft rotation direction	Same direction as the rotation direction of input gear.
Material	Case with internal gear and gear: Chrome-Molybdenum Steel Joint cover, Adapter plate: Aluminum alloy Output and input shaft: S45C
Mounting location	Indoor (without dust and water)
Ambient temperature	0~40°C Consult us when the operation condition exceeds the above and when special grease is necessary such as food manufacturing machine.
Ambient humidity	85% or less. There should be no condensation.
Altitude	1000m or below
Ambient atmosphere	There should be no corrosive gases, explosive gases, vapor, or dust.
Mounting angle	All angles possible (no limitation)
Paint	Black oxide coating for housing with internal gear Output shaft comes with rustproof treatment at the time of shipping.
Actual reduction ratio	3/11 is the actual reduction ratio for 1/3.7. All of the other reduction ratios are whole numbers.
Surface temperature of the reducer	80°C or below. Consult us when operating continuously.

Construction Drawing


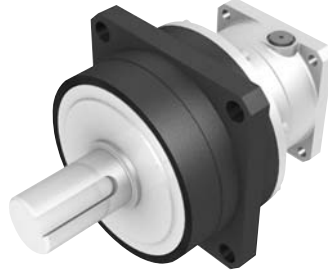



Number	Part Name
1	Output Shaft
2	Oil Seal
3	Bearing of Output
4	Sun Gear of Output
5	Planetary Gear of Output
6	Casing with Internal Gear
7	Sun Gear of Input
8	Planetary Gear of Input
9	Internal Gear of Input
10	Joint Cover
11	Input Shaft Bearing
12	Oil Seal
13	Coupling
14	Adaptor Plate
15	Motor (Provided by Customers)

Fig. 1



Type and Frame Size	
P	110
	120
	130

Output Shaft Type	Symbol
Solid Shaft (Keyless)	N
	
Solid Shaft (with Key)	W
	
Flange Shaft	F
	

Selection Table 1 (Frame Size Combination Table for Each Motor Rated Speed)

Rated Motor Speed 1000 [r/min]

Servo Moto Capacity [W]	Reduction Ratio								
	3.7 (3/11)	5	9	11	15	21	33	45	81
50								●	P120
100			P110			●	P120		P130
200									●
300				P120					
400							●	●	
500									
600				P130					
750						●			
1000									
1200		●							
1500									
2000	P130								
2500									
3000									
3500									
4000									
4500									
5000									

Rated Motor Speed 1500 [r/min]

Servo Moto Capacity [W]	Reduction Ratio								
	3.7 (3/11)	5	9	11	15	21	33	45	81
50									P120
100			P110				●	●	●
200						●			P130
300									●
400				P120				P130	
500								●	
600									
750									
1000						P130			
1200									
1500									
2000									
2500	P130								
3000									
3500									
4000									
4500									
5000									

Rated Motor Speed 2000 [r/min]

Servo Moto Capacity [W]	Reduction Ratio								
	3.7 (3/11)	5	9	11	15	21	33	45	81
50									●
100			P110					●	P120
200						●			●
300			●				P120	●	P130
400									●
500					P120		P130		
600									
750									
1000									
1200					P130				
1500									
2000									
2500									
3000	P130								
3500									
4000									
4500									
5000									

Rated Motor Speed 3000 [r/min]

Servo Moto Capacity [W]	Reduction Ratio								
	3.7 (3/11)	5	9	11	15	21	33	45	81
50									●
100			P110						P120
200							●		●
300						●			
400									P130
500									●
600					P120		P130		
750									
1000									
1200									
1500						P130			
2000									
2500									
3000									
3500									
4000									
4500									
5000									

Rated Motor Speed 4000 [r/min]

Servo Moto Capacity [W]	Reduction Ratio								
	3.7 (3/11)	5	9	11	15	21	33	45	81
50									●
100									●
200			P110					●	●
300							●	●	●
400						●			
500									
600									
750					P120			P130	●
1000									
1200									
1500									
2000									
2500					P130				
3000									
3500									
4000									
4500									
5000									

No Load Running Torque [SI Unit]

Frame Size	Uni	Reduction Ratio								
		3.7 (3/11)	5	9	11	15	21	33	45	81
P110		0.25	0.20	0.16		0.20			0.14	
P120	N-m	0.60	0.40	0.30		0.35			0.26	
P130		1.00	0.70	0.55		0.60			0.45	

No Load Running Torque [Engineering Unit]

Frame Size	Uni	Reduction Ratio								
		3.7 (3/11)	5	9	11	15	21	33	45	81
P110		0.025	0.020	0.016		0.020			0.014	
P120	kgf-m	0.061	0.041	0.031		0.036			0.027	
P130		0.102	0.071	0.056		0.061			0.046	

*Torque necessary at the input side to rotate the reducer at no load condition.

*This is the representative value when the ambient temperature is 20°C.

*Refer to Selection Table 2 (on pages 9-18) for frame size combination for each servo motor manufacturer.

*Refer to Selection Table 3 (on pages 20, 22-23) for rated torque, allowable maximum input speed, allowable peak torque, and allowable radial load for each frame size.

*Refer to Selection Table 3 (on pages 21) for %ED of each speed.

*Refer to Selection Table 3 (on page 20) for allowable peak torque at startup for combinations marked ●.

*Note the no load running torque on this page when using combinations with [].

*Consult us when no load running torque is too large for your application. Special models for lowering no load running torque are available on request.

Selection Table 2 (Frame Size Combination Table for Each Servo Motor Manufacturers)

P1 Type

1. Yaskawa Electric Corporation

ΣV Series SGMJV Series (Rated speed: 3000 r/min)

Servo Motor Capacity [W]	Nomenclature of Servo Motor	Reduction Ratio									Motor Flange Code
		3.7	5	9	11	15	21	33	45	81	
50	SGMJV-A5**A2*	P110 ^Δ	P110 ^Δ	P110 ^Δ	P110 ^Δ	P110 ^Δ	P110 ^Δ	P110 ^Δ	P110 ^Δ	P110 ^Δ	2D
100	SGMJV-01**A2*	P110 ^Δ	P110 ^Δ	P110 ^Δ	P110 ^Δ	P110 ^Δ	P110 ^Δ	P110	P110	P120 ^Δ	2D
200	SGMJV-02**A2*	P110	P110	P110	P110	P110	P110	P110	P110●	P120	2R
400	SGMJV-04**A2*	P110	P110	P110	P120	P120	P120	P120	P120	P120	2R
750	SGMJV-08**A2*	P120	P120	P120	P120	P120	P120	P120	P130	P130	1G

ΣV Series SGMAV Series (Rated speed: 3000 r/min)

Servo Motor Capacity [W]	Nomenclature of Servo Motor	Reduction Ratio									Motor Flange Code
		3.7	5	9	11	15	21	33	45	81	
50	SGMAV-A5**A2*	P110 ^Δ	P110 ^Δ	P110 ^Δ	P110 ^Δ	P110 ^Δ	P110 ^Δ	P110 ^Δ	P110 ^Δ	P110 ^Δ	2D
100	SGMAV-01**A2*	P110 ^Δ	P110 ^Δ	P110 ^Δ	P110 ^Δ	P110 ^Δ	P110 ^Δ	P110	P110	P120 ^Δ	2D
200	SGMAV-02**A2*	P110	P110	P110	P110	P110	P110	P110	P110●	P120	2R
400	SGMAV-04**A2*	P110	P110	P110	P120	P120	P120	P120	P120	P130	2R
550	SGMAV-06**A2*	P110	P110	P120	P120	P120	P120	P130	P130	-	2R
750	SGMAV-08**A2*	P120	P120	P120	P120	P120	P120	P130	P130	-	1G

ΣV Series SGMGV Series (Rated speed: 1500 r/min)

Servo Motor Capacity [W]	Nomenclature of Servo Motor	Reduction Ratio									Motor Flange Code
		3.7	5	9	11	15	21	33	45	81	
450	SGMGV-05**A2*	P110	P120	P120	P120	P120	P120	P130	P130	-	8E
850	SGMGV-09**A2*	P120	P120	P130	P130	P130	P130	-	-	-	7X
1300	SGMGV-13**A2*	P120	P120	P130	-	-	-	-	-	-	1S
2000	SGMGV-20**A2*	P130	P130	-	-	-	-	-	-	-	7Z
3000	SGMGV-30**A2*	P130	P130	-	-	-	-	-	-	-	0X
4400	SGMGV-44**A2*	P130	-	-	-	-	-	-	-	-	0X

Page of Dimension Table

[Page]

Frame Size	Output Shaft Type	Reduction Ratio								
		3.7	5	9	11	15	21	33	45	81
P110	(N,W)	26	27	28	29	30	31	32	33	34
	(F)	53	54	55	56	57	58	59	60	61
P120	(N,W)	35	36	37	38	39	40	41	42	43
	(F)	62	63	64	65	66	67	68	69	70
P130	(N,W)	44	45	46	47	48	49	50	51	52
	(F)	71	72	73	74	75	76	77	78	79

Note: *Refer to Selection Table 3 (on pages 20, 22-23) for rated torque, allowable maximum input speed, allowable peak torque, and allowable radial load for each frame size.

*Check the value of no load running torque in Selection Table 1 (page 8) when using the combinations marked with Δ.

Consult us for larger no load running torque is larger. Specialized units may be available.

*Refer to Selection Table 3 (on page 20) for allowable peak torque at startup for combinations marked ●.

Selection Table 2 (Frame Size Combination Table for Each Servo Motor Manufacturers)

1. Yaskawa Electric Corporation

Σ III Series SGMAS Series (Rated speed: 3000 r/min)

Servo Motor Capacity [W]	Nomenclature of Servo Motor	Reduction Ratio									Motor Flange Code
		3.7	5	9	11	15	21	33	45	81	
50	SGMAS-A5A**2*	P110 Δ	P110 Δ	P110 Δ	P110 Δ	P110 Δ	P110 Δ	P110 Δ	P110 Δ	P110 Δ	7J
100	SGMAS-01A**2*	P110 Δ	P110 Δ	P110 Δ	P110 Δ	P110 Δ	P110 Δ	P110	P110	P120 Δ	2D
200	SGMAS-02A**2*	P110	P110	P110	P110	P110	P110	P110●	P120	P120●	2R
400	SGMAS-04A**2*	P110	P110	P110	P120	P120	P120	P120	P120	P130	2R
600	SGMAS-06A**2*	P110	P110	P120	P120	P120	P120	P130	P130	-	2R
750	SGMAS-08A**2*	P120	P120	P120	P120	P120	P120	P130	P130	-	7P

Σ III Series SGMPS Series (Rated speed: 3000 r/min)

Servo Motor Capacity [W]	Nomenclature of Servo Motor	Reduction Ratio									Motor Flange Code
		3.7	5	9	11	15	21	33	45	81	
100	SGMPS-01A**2*	P110 Δ	P110 Δ	P110 Δ	P110 Δ	P110 Δ	P110 Δ	P110	P110	P120 Δ	2G
200	SGMPS-02A**2*	P110	P110	P110	P110	P110	P110	P110●	P120	P120●	2T
400	SGMPS-04A**2*	P110	P110	P110	P120	P120	P120	P120	P120	P130	2T
750	SGMPS-08A**2*	P120	P120	P120	P120	P120	P120	P130	P130	-	7R
1500	SGMPS-15A**2*	P120	P120	P120	P130	P130	P130	-	-	-	7X

Σ III Series SGMSS Series (Rated speed: 3000 r/min)

Servo Motor Capacity [W]	Nomenclature of Servo Motor	Reduction Ratio									Motor Flange Code
		3.7	5	9	11	15	21	33	45	81	
1000	SGMSS-10A**2*	P120	P120	P120	P120	P120	P130	-	-	-	1L
1500	SGMSS-15A**2*	P120	P120	P120	P130	P130	P130	-	-	-	1L
2000	SGMSS-20A**2*	P120	P120	P130	P130	P130	-	-	-	-	1L
2500	SGMSS-25A**2*	P120	P120	P130	-	-	-	-	-	-	1L
3000	SGMSS-30A**2*	P130	P130	P130	-	-	-	-	-	-	1T
4000	SGMSS-40A**2*	P130	P130	-	-	-	-	-	-	-	1T
5000	SGMSS-50A**2*	P130	P130	-	-	-	-	-	-	-	1T

Page of Dimension Table

[Page]

Frame Size	Output Shaft Type	Reduction Ratio								
		3.7	5	9	11	15	21	33	45	81
P110	Solid Shaft (N, W)	26	27	28	29	30	31	32	33	34
	Flange Shaft (F)	53	54	55	56	57	58	59	60	61
P120	Solid Shaft (N, W)	35	36	37	38	39	40	41	42	43
	Flange Shaft (F)	62	63	64	65	66	67	68	69	70
P130	Solid Shaft (N, W)	44	45	46	47	48	49	50	51	52
	Flange Shaft (F)	71	72	73	74	75	76	77	78	79

Note: *Refer to Selection Table 3 (on pages 20, 22-23) for rated torque, allowable maximum input speed, allowable peak torque, and allowable radial load for each frame size.

*Check the value of no load running torque in Selection Table 1 (page 8) when using the combinations marked with Δ . Consult us for larger no load running torque is larger. Specialized units may be available.

*Refer to Selection Table 3 (on page 20) for allowable peak torque at startup for combinations marked ●.

Selection Table 2 (Frame Size Combination Table for Each Servo Motor Manufacturers)

P1 Type

Yaskawa Electric Corporation

Σ II Series SGMAH Series (Rated speed: 3000 r/min)

Servo Motor Capacity [W]	Nomenclature of Servo Motor	Reduction Ratio									Motor Flange Code
		3.7	5	9	11	15	21	33	45	81	
50	SGMAH-A5***2*	P110 Δ	P110 Δ	P110 Δ	P110 Δ	P110 Δ	P110 Δ	P110 Δ	P110 Δ	P110 Δ	7J
100	SGMAH-01***2*	P110 Δ	P110 Δ	P110 Δ	P110 Δ	P110 Δ	P110 Δ	P110	P110	P120 Δ	2D
200	SGMAH-02***2*	P110	P110	P110	P110	P110	P110	P110 \bullet	P120	P120 \bullet	2R
400	SGMAH-04***2*	P110	P110	P110	P120	P120	P120	P120	P120	P130	2R
750	SGMAH-08***2*	P120	P120	P120	P120	P120	P120	P130	P130	-	7P

Σ II Series SGMPH Series (Rated speed: 3000 r/min)

Servo Motor Capacity [W]	Nomenclature of Servo Motor	Reduction Ratio									Motor Flange Code
		3.7	5	9	11	15	21	33	45	81	
100	SGMPH-01***2*	P110 Δ	P110 Δ	P110 Δ	P110 Δ	P110 Δ	P110 Δ	P110	P110	P120 Δ	2G
200	SGMPH-02***2*	P110	P110	P110	P110	P110	P110	P110 \bullet	P120	P120 \bullet	2T
400	SGMPH-04***2*	P110	P110	P110	P120	P120	P120	P120	P120	P130	2T
750	SGMPH-08***2*	P120	P120	P120	P120	P120	P120	P130	P130	-	7R
1500	SGMPH-15***2*	P120	P120	P120	P130	P130	P130	-	-	-	7X

Σ II Series SGMSH Series (Rated speed: 3000 r/min)

Servo Motor Capacity [W]	Nomenclature of Servo Motor	Reduction Ratio									Motor Flange Code
		3.7	5	9	11	15	21	33	45	81	
1000	SGMSH-10***2*	P120	P120	P120	P120	P120	P130	-	-	-	1L
1500	SGMSH-15***2*	P120	P120	P120	P130	P130	P130	-	-	-	1L
2000	SGMSH-20***2*	P120	P120	P130	P130	P130	-	-	-	-	1L
3000	SGMSH-30***2*	P130	P130	P130	-	-	-	-	-	-	1T
4000	SGMSH-40***2*	P130	P130	-	-	-	-	-	-	-	1T
5000	SGMSH-50***2*	P130	P130	-	-	-	-	-	-	-	1T

Page of Dimension Table

[Page]

Frame Size	Output Shaft Type	Reduction Ratio								
		3.7	5	9	11	15	21	33	45	81
P110	Solid Shaft (N, W)	26	27	28	29	30	31	32	33	34
	Flange Shaft (F)	53	54	55	56	57	58	59	60	61
P120	Solid Shaft (N, W)	35	36	37	38	39	40	41	42	43
	Flange Shaft (F)	62	63	64	65	66	67	68	69	70
P130	Solid Shaft (N, W)	44	45	46	47	48	49	50	51	52
	Flange Shaft (F)	71	72	73	74	75	76	77	78	79

Note: *Refer to Selection Table 3 (on pages 20, 22-23) for rated torque, allowable maximum input speed, allowable peak torque, and allowable radial load for each frame size.

*Check the value of no load running torque in Selection Table 1 (page 8) when using the combinations marked with Δ .

Consult us for larger no load running torque is larger. Specialized units may be available.

*Refer to Selection Table 3 (on page 20) for allowable peak torque at startup for combinations marked \bullet .

Selection Table 2 (Frame Size Combination Table for Each Servo Motor Manufacturers)

Yaskawa Electric Corporation

ΣSeries SGM Series (Rated speed: 3000 r/min)

Servo Motor Capacity [W]	Nomenclature of Servo Motor	Reduction Ratio									Motor Flange Code
		3.7	5	9	11	15	21	33	45	81	
50	SGM-A5***2*	P110 Δ	P110 Δ	P110 Δ	P110 Δ	P110 Δ	P110 Δ	P110 Δ	P110 Δ	P110 Δ	7J
100	SGM-01***2*	P110 Δ	P110 Δ	P110 Δ	P110 Δ	P110 Δ	P110 Δ	P110	P110	P120 Δ	2D
200	SGM-02***2*	P110	P110	P110	P110	P110	P110	P110 \bullet	P120	P120 \bullet	2R
400	SGM-04***2*	P110	P110	P110	P120	P120	P120	P120	P120	P130	2R
750	SGM-08***2*	P120	P120	P120	P120	P120	P120	P130	P130	-	7P

ΣSeries SGMP Series (Rated speed: 3000 r/min)

Servo Motor Capacity [W]	Nomenclature of Servo Motor	Reduction Ratio									Motor Flange Code
		3.7	5	9	11	15	21	33	45	81	
100	SGMP-01***2*	P110 Δ	P110 Δ	P110 Δ	P110 Δ	P110 Δ	P110 Δ	P110	P110	P120 Δ	2G
200	SGMP-02***2*	P110	P110	P110	P110	P110	P110	P110 \bullet	P120	P120 \bullet	2T
400	SGMP-04***2*	P110	P110	P110	P120	P120	P120	P120	P120	P130	2T
750	SGMP-08***2*	P120	P120	P120	P120	P120	P120	P130	P130	-	7R
1500	SGMP-15***2*	P120	P120	P120	P130	P130	P130	-	-	-	7X

ΣSeries SGMS Series (Rated speed: 3000 r/min)

Servo Motor Capacity [W]	Nomenclature of Servo Motor	Reduction Ratio									Motor Flange Code
		3.7	5	9	11	15	21	33	45	81	
1000	SGMS-10A**2*	P120	P120	P120	P120	P120	P130	-	-	-	1L
1500	SGMS-15A**2*	P120	P120	P120	P130	P130	P130	-	-	-	1L
2000	SGMS-20A**2*	P120	P120	P130	P130	P130	-	-	-	-	1L
3000	SGMS-30A**2*	P130	P130	P130	-	-	-	-	-	-	1T
4000	SGMS-40A**2*	P130	P130	-	-	-	-	-	-	-	1T
5000	SGMS-50A**2*	P130	P130	-	-	-	-	-	-	-	1T

Page of Dimension Table

[Page]

Frame Size	Output Shaft Type	Reduction Ratio								
		3.7	5	9	11	15	21	33	45	81
P110	Solid Shaft (N, W)	26	27	28	29	30	31	32	33	34
	Flange Shaft (F)	53	54	55	56	57	58	59	60	61
P120	Solid Shaft (N, W)	35	36	37	38	39	40	41	42	43
	Flange Shaft (F)	62	63	64	65	66	67	68	69	70
P130	Solid Shaft (N, W)	44	45	46	47	48	49	50	51	52
	Flange Shaft (F)	71	72	73	74	75	76	77	78	79

Note: *Refer to Selection Table 3 (on pages 20, 22-23) for rated torque, allowable maximum input speed, allowable peak torque, and allowable radial load for each frame size.

*Check the value of no load running torque in Selection Table 1 (page 8) when using the combinations marked with Δ .

Consult us for larger no load running torque is larger. Specialized units may be available.

*Refer to Selection Table 3 (on page 20) for allowable peak torque at startup for combinations marked \bullet .

Selection Table 2 (Frame Size Combination Table for Each Servo Motor Manufacturers)

2. Mitsubishi Electric Corporation

HF-KP Series (Rated speed: 3000 r/min)

Servo Motor Capacity [W]	Nomenclature of Servo Motor	Reduction Ratio									Motor Flange Code
		3.7	5	9	11	15	21	33	45	81	
50	HF-KP053(B)	P110	P110	P110	P110	P110	P110	P110	P110	P110●	2D
100	HF-KP13(B)	P110	P110	P110	P110	P110	P110	P110	P110	P120△	2D
200	HF-KP23(B)	P110	P110	P110	P110	P110	P110	P110●	P120	P120●	2R
400	HF-KP43(B)	P110	P110	P110	P120	P120	P120	P120	P120	P130	2R
750	HF-KP73(B)	P120	P120	P120	P120	P120	P120	P130	P130	-	1G

HF-MP Series (Rated speed: 3000 r/min)

Servo Motor Capacity [W]	Nomenclature of Servo Motor	Reduction Ratio									Motor Flange Code
		3.7	5	9	11	15	21	33	45	81	
50	HF-MP053(B)	P110	P110	P110	P110	P110	P110	P110	P110	P110●	2D
100	HF-MP13(B)	P110	P110	P110	P110	P110	P110	P110	P110	P120△	2D
200	HF-MP23(B)	P110	P110	P110	P110	P110	P110	P110●	P120	P120●	2R
400	HF-MP43(B)	P110	P110	P110	P120	P120	P120	P120	P120	P130	2R
750	HF-MP73(B)	P120	P120	P120	P120	P120	P120	P130	P130	-	1G

HF-SP Series (Rated speed: 2000 r/min)

Servo Motor Capacity [W]	Nomenclature of Servo Motor	Reduction Ratio									Motor Flange Code
		3.7	5	9	11	15	21	33	45	81	
500	HF-SP52(B)	P120	P120	P120	P120	P120	P120	P130	P130	-	7Z
1000	HF-SP102(B)	P120	P120	P120	P130	P130	P130	-	-	-	7Z
1500	HF-SP152(B)	P120	P120	P130	P130	P130	-	-	-	-	7Z
2000	HF-SP202(B)	P130	P130	P130	-	-	-	-	-	-	0X
3500	HF-SP352(B)	P130	P130	-	-	-	-	-	-	-	0X
5000	HF-SP502(B)	-	-	-	-	-	-	-	-	-	

HF-KFS Series (Rated speed: 3000 r/min)

Servo Motor Capacity [W]	Nomenclature of Servo Motor	Reduction Ratio									Motor Flange Code
		3.7	5	9	11	15	21	33	45	81	
50	HC-KFS053(B)	P110△	P110△	P110△	P110△	P110△	P110△	P110△	P110△	P110●	2D
100	HC-KFS13(B)	P110△	P110△	P110△	P110△	P110△	P110△	P110	P110	P120△	2D
200	HC-KFS23(B)	P110	P110	P110	P110	P110	P110	P110●	P120	P120●	2R
400	HC-KFS43(B)	P110	P110	P110	P120	P120	P120	P120	P120	P130	2R
750	HC-KFS73(B)	P120	P120	P120	P120	P120	P120	P130	P130	-	1G

Page of Dimension Table

[Page]

Frame Size	Output Shaft Type	Reduction Ratio								
		3.7	5	9	11	15	21	33	45	81
P110	Solid Shaft (N, W)	26	27	28	29	30	31	32	33	34
	Flange Shaft (F)	53	54	55	56	57	58	59	60	61
P120	Solid Shaft (N, W)	35	36	37	38	39	40	41	42	43
	Flange Shaft (F)	62	63	64	65	66	67	68	69	70
P130	Solid Shaft (N, W)	44	45	46	47	48	49	50	51	52
	Flange Shaft (F)	71	72	73	74	75	76	77	78	79

Note: *Refer to Selection Table 3 (on pages 20, 22-23) for rated torque, allowable maximum input speed, allowable peak torque, and allowable radial load for each frame size.

*Check the value of no load running torque in Selection Table 1 (page 8) when using the combinations marked with △. Consult us for larger no load running torque is larger. Specialized units may be available.

*Refer to Selection Table 3 (on page 20) for allowable peak torque at startup for combinations marked ●.

Selection Table 2 (Frame Size Combination Table for Each Servo Motor Manufacturers)

Mitsubishi Electric Corporation

HC-MFS Series (Rated speed: 3000 r/min)

Servo Motor Capacity [W]	Nomenclature of Servo Motor	Reduction Ratio									Motor Flange Code
		3.7	5	9	11	15	21	33	45	81	
50	HC-MFS053(B)	P110 [△]	P110 [△]	P110 [△]	P110 [△]	P110 [△]	P110 [△]	P110 [△]	P110 [△]	P110 [*]	2D
100	HC-MFS13(B)	P110 [△]	P110 [△]	P110 [△]	P110 [△]	P110 [△]	P110 [△]	P110	P110	P120 [△]	2D
200	HC-MFS23(B)	P110	P110	P110	P110	P110	P110	P110 [*]	P120	P120 [*]	2R
400	HC-MFS43(B)	P110	P110	P110	P120	P120	P120	P120	P120	P130	2R
750	HC-MFS73(B)	P120	P120	P120	P120	P120	P120	P130	P130	-	1G

HC-SFS Series (Rated speed: 2000 r/min)

Servo Motor Capacity [W]	Nomenclature of Servo Motor	Reduction Ratio									Motor Flange Code
		3.7	5	9	11	15	21	33	45	81	
500	HC-SFS52(B)	P120	P120	P120	P120	P120	P120	P130	P130	-	7Z
1000	HC-SFS102(B)	P120	P120	P120	P130	P130	P130	-	-	-	7Z
1500	HC-SFS152(B)	P120	P120	P130	P130	P130	-	-	-	-	7Z
2000	HC-SFS202(B)	P130	P130	P130	-	-	-	-	-	-	0X
3500	HC-SFS352(B)	P130	P130	-	-	-	-	-	-	-	0X
5000	HC-SFS502(B)	-	-	-	-	-	-	-	-	-	

HC-UFS Series (Rated speed: 2000 r/min)

Servo Motor Capacity [W]	Nomenclature of Servo Motor	Reduction Ratio									Motor Flange Code
		3.7	5	9	11	15	21	33	45	81	
100	HC-UFS13(B)	P110 [△]	P110 [△]	P110 [△]	P110 [△]	P110 [△]	P110 [△]	P110	P110	P120 [△]	2G
200	HC-UFS23(B)	P110	P110	P110	P110	P110	P110	P110 [*]	P120	P120 [*]	2T
400	HC-UFS43(B)	P110	P110	P110	P120	P120	P120	P120	P120	P130	2T
750	HC-UFS73(B)	P120	P120	P120	P120	P120	P120	P130	P130	-	7X

Page of Dimension Table

[Page]

Frame Size	Output Shaft Type	Reduction Ratio								
		3.7	5	9	11	15	21	33	45	81
P110	Solid Shaft (N, W)	26	27	28	29	30	31	32	33	34
	Flange Shaft (F)	53	54	55	56	57	58	59	60	61
P120	Solid Shaft (N, W)	35	36	37	38	39	40	41	42	43
	Flange Shaft (F)	62	63	64	65	66	67	68	69	70
P130	Solid Shaft (N, W)	44	45	46	47	48	49	50	51	52
	Flange Shaft (F)	71	72	73	74	75	76	77	78	79

Note: *Refer to Selection Table 3 (on pages 20, 22-23) for rated torque, allowable maximum input speed, allowable peak torque, and allowable radial load for each frame size.

*Check the value of no load running torque in Selection Table 1 (page 8) when using the combinations marked with [△]. Consult us for larger no load running torque is larger. Specialized units may be available.

*Refer to Selection Table 3 (on page 20) for allowable peak torque at startup for combinations marked ●.

Selection Table 2 (Frame Size Combination Table for Each Servo Motor Manufacturers)

3. Matsushita Electric Industrial Co., Ltd.

MSMA Series (Rated speed: 3000 r/min)

Servo Motor Capacity [W]	Nomenclature of Servo Motor	Reduction Ratio									Motor Flange Code
		3.7	5	9	11	15	21	33	45	81	
50	MSMA5A**1A	P110 Δ	P110 Δ	P110 Δ	P110 Δ	P110 Δ	P110 Δ	P110 Δ	P110 Δ	P110 Δ	2C
100	MSMA01**1A	P110 Δ	P110 Δ	P110 Δ	P110 Δ	P110 Δ	P110 Δ	P110	P110	P120 Δ	2C
200	MSMA02**1A	P110	P110	P110	P110	P110	P110	P110 \bullet	P120	P120 \bullet	2L
400	MSMA04**1A	P110	P110	P110	P120	P120	P120	P120	P120	P130	2P
750	MSMA08**1A	P120	P120	P120	P120	P120	P120	P130	P130	-	7S
1000	MSMA10**1A	P120	P120	P120	P120	P120	P130	-	-	-	7V
1500	MSMA15**1A	P120	P120	P120	P130	P130	P130	-	-	-	7B
2000	MSMA20**1A	P120	P120	P130	P130	P130	-	-	-	-	7B
2500	MSMA25**1A	P120	P120	P130	-	-	-	-	-	-	7B
3000	MSMA30**1A	P130	P130	P130	-	-	-	-	-	-	1S
3500	MSMA35**1A	P130	P130	P130	-	-	-	-	-	-	1S
4000	MSMA40**1A	P130	P130	-	-	-	-	-	-	-	7Z
4500	MSMA45**1A	P130	P130	-	-	-	-	-	-	-	7Z
5000	MSMA50**1A	P130	P130	-	-	-	-	-	-	-	7Z

MQMA Series (Rated speed: 3000 r/min)

Servo Motor Capacity [W]	Nomenclature of Servo Motor	Reduction Ratio									Motor Flange Code
		3.7	5	9	11	15	21	33	45	81	
100	MQMA022A1A	P110 Δ	P110 Δ	P110 Δ	P110 Δ	P110 Δ	P110 Δ	P110	P110	P120 Δ	2F
200	MQMA032A1A	P110	P110	P110	P110	P110	P110	P110 \bullet	P120	P120 \bullet	8A
400	MQMA042A1A	P110	P110	P110	P120	P120	P120	P120	P120	P130	8B

Page of Dimension Table

[Page]

Frame Size	Output Shaft Type	Reduction Ratio								
		3.7	5	9	11	15	21	33	45	81
P110	Solid Shaft (N, W)	26	27	28	29	30	31	32	33	34
	Flange Shaft (F)	53	54	55	56	57	58	59	60	61
P120	Solid Shaft (N, W)	35	36	37	38	39	40	41	42	43
	Flange Shaft (F)	62	63	64	65	66	67	68	69	70
P130	Solid Shaft (N, W)	44	45	46	47	48	49	50	51	52
	Flange Shaft (F)	71	72	73	74	75	76	77	78	79

Note: *Refer to Selection Table 3 (on pages 20, 22-23) for rated torque, allowable maximum input speed, allowable peak torque, and allowable radial load for each frame size.

*Check the value of no load running torque in Selection Table 1 (page 8) when using the combinations marked with Δ . Consult us for larger no load running torque is larger. Specialized units may be available.

*Refer to Selection Table 3 (on page 20) for allowable peak torque at startup for combinations marked \bullet .

Selection Table 2 (Frame Size Combination Table for Each Servo Motor Manufacturers)

4. Sanyo Denki Co., Ltd.

P3 Series (Rated speed: 3000 r/min)

Servo Motor Capacity [W]	Nomenclature of Servo Motor	Reduction Ratio									Motor Flange Code
		3.7	5	9	11	15	21	33	45	81	
50	P30B04005H***	P110 Δ	P110 Δ	P110 Δ	P110 Δ	P110 Δ	P110 Δ	P110 Δ	P110 Δ	P110 Δ	2D
100	P30B04010H***	P110 Δ	P110 Δ	P110 Δ	P110 Δ	P110 Δ	P110 Δ	P110	P110	P120 Δ	2D
200	P30B06020H***	P110	P110	P110	P110	P110	P110	P110 \bullet	P120	P120 \bullet	2R
400	P30B06040H***	P110	P110	P110	P120	P120	P120	P120	P120	P130	2R
750	P30B08075H***	P120	P120	P120	P120	P120	P120	P130	P130	-	7P

P5 Series (Rated speed: 3000 r/min)

Servo Motor Capacity [W]	Nomenclature of Servo Motor	Reduction Ratio									Motor Flange Code
		3.7	5	9	11	15	21	33	45	81	
50	P50B05005H***	P110 Δ	P110 Δ	P110 Δ	P110 Δ	P110 Δ	P110 Δ	P110 Δ	P110 Δ	P110 Δ	2E
100	P50B05010H***	P110 Δ	P110 Δ	P110 Δ	P110 Δ	P110 Δ	P110 Δ	P110	P110	P120 Δ	2E
200	P50B05020H***	P110	P110	P110	P110	P110	P110	P110 \bullet	P120	P120 \bullet	2K
	P50B07020H***	P110	P110	P110	P110	P110	P110	P110 \bullet	P120	P130	8B
300	P50B07030H***	P110	P110	P110	P110	P110	P120	P120	P120	P130	8B
400	P50B07040H***	P110	P110	P110	P120	P120	P120	P120	P120	P130	8B
500	P50B08050H***	P110	P110	P120	P120	P120	P120	P130	P130	-	8E
750	P50B08075H***	P120	P120	P120	P120	P120	P120	P130	P130	-	8E
1000	P50B08100H***	P120	P120	P120	P120	P120	P130	-	-	-	8E

Q1 Series (Rated speed: 3000 r/min)

Servo Motor Capacity [W]	Nomenclature of Servo Motor	Reduction Ratio									Motor Flange Code
		3.7	5	9	11	15	21	33	45	81	
50	Q1AA04005***	P110 Δ	P110 Δ	P110 Δ	P110 Δ	P110 Δ	P110 Δ	P110 Δ	P110 Δ	P110 Δ	2D
100	Q1AA04010***	P110 Δ	P110 Δ	P110 Δ	P110 Δ	P110 Δ	P110 Δ	P110	P110	P120 Δ	2D
200	Q1AA06020***	P110	P110	P110	P110	P110	P110	P110 \bullet	P120	P120 \bullet	2R
400	Q1AA06040***	P110	P110	P110	P120	P120	P120	P120	P120	P130	2R
750	Q1AA07075***	P120	P120	P120	P120	P120	P120	P130	P130	-	0U
1000	Q1AA10100***	P120	P120	P120	P120	P120	P130	-	-	-	0W
	Q1AA12100***	P120	P120	P120	P120	P120	P130	-	-	-	0Y
1500	Q1AA10150***	P120	P120	P120	P130	P130	P130	-	-	-	0W
2000	Q1AA10200***	P120	P120	P130	P130	P130	-	-	-	-	0W
	Q1AA12200***	P120	P120	P130	P130	P130	-	-	-	-	0Y
2500	Q1AA10250***	P120	P120	P130	-	-	-	-	-	-	0W
3000	Q1AA12300***	P130	P130	P130	-	-	-	-	-	-	1T
	Q1AA13300***	P130	P130	P130	-	-	-	-	-	-	1T
4000	Q1AA13400***	P130	P130	-	-	-	-	-	-	-	1T
5000	Q1AA13500***	P130	P130	-	-	-	-	-	-	-	1T

Page of Dimension Table

[Page]

Frame Size	Output Shaft Type	Reduction Ratio								
		3.7	5	9	11	15	21	33	45	81
P110	Solid Shaft (N, W)	26	27	28	29	30	31	32	33	34
	Flange Shaft (F)	53	54	55	56	57	58	59	60	61
P120	Solid Shaft (N, W)	35	36	37	38	39	40	41	42	43
	Flange Shaft (F)	62	63	64	65	66	67	68	69	70
P130	Solid Shaft (N, W)	44	45	46	47	48	49	50	51	52
	Flange Shaft (F)	71	72	73	74	75	76	77	78	79

Note: *Refer to Selection Table 3 (on pages 20, 22-23) for rated torque, allowable maximum input speed, allowable peak torque, and allowable radial load for each frame size.

*Check the value of no load running torque in Selection Table 1 (page 8) when using the combinations marked with Δ . Consult us for larger no load running torque is larger. Specialized units may be available.

*Refer to Selection Table 3 (on page 20) for allowable peak torque at startup for combinations marked \bullet .

Selection Table 2 (Frame Size Combination Table for Each Servo Motor Manufacturers)

5. Fuji Electric FA Components & Systems

GYS Motor (Rated speed: 3000 r/min)

FALDIC- α , β Series Cubic Type
 FALDIC-W Low Inertia Series

Servo Motor Capacity [W]	Nomenclature of Servo Motor	Reduction Ratio									Motor Flange Code
		3.7	5	9	11	15	21	33	45	81	
50	GYS500DC*-**B-*	P110 Δ	P110 Δ	P110 Δ	P110 Δ	P110 Δ	P110 Δ	P110 Δ	P110 Δ	P110 Δ	7J
100	GYS101DC*-**B-*	P110 Δ	P110 Δ	P110 Δ	P110 Δ	P110 Δ	P110 Δ	P110	P110	P120 Δ	2D
200	GYS201DC*-**B-*	P110	P110	P110	P110	P110	P110	P110•	P120	P120•	2R
400	GYS401DC*-**B-*	P110	P110	P110	P120	P120	P120	P120	P120	P130	2R
750	GYS751DC*-**B-*	P120	P120	P120	P120	P120	P120	P130	P130	-	7P
1000	GYS102DC*-**B-*	P120	P120	P120	P120	P120	P130	-	-	-	7Y
1500	GYS152DC*-**B-*	P120	P120	P120	P130	P130	P130	-	-	-	7Y
2000	GYS202DC*-**B-*	P120	P120	P130	P130	P130	-	-	-	-	7Y
3000	GYS302DC*-**B-*	P130	P130	P130	-	-	-	-	-	-	1T
4000	GYS402DC*-**B-*	P130	P130	-	-	-	-	-	-	-	1T
5000	GYS502DC*-**B-*	P130	P130	-	-	-	-	-	-	-	1T

GYS Motor (Rated speed: 3000 r/min)

FALDIC- α , β Series Slim Type

Servo Motor Capacity [W]	Nomenclature of Servo Motor	Reduction Ratio									Motor Flange Code
		3.7	5	9	11	15	21	33	45	81	
100	GYC101DC*-**B-*	P110 Δ	P110 Δ	P110 Δ	P110 Δ	P110 Δ	P110 Δ	P110	P110	P120 Δ	2G
200	GYC201DC*-**B-*	P110	P110	P110	P110	P110	P110	P110•	P120	P120•	2T
400	GYC401DC*-**B-*	P110	P110	P110	P120	P120	P120	P120	P120	P130	2T
750	GYC751DC*-**B-*	P120	P120	P120	P120	P120	P120	P130	P130	-	7A
1000	GYC102DC*-**B-*	P120	P120	P120	P120	P120	P130	-	-	-	7Z
1500	GYC152DC*-**B-*	P120	P120	P120	P130	P130	P130	-	-	-	7Z
2000	GYC202DC*-**B-*	P120	P120	P130	P130	P130	-	-	-	-	7Z

Page of Dimension Table

[Page]

Frame Size	Output Shaft Type	Reduction Ratio								
		3.7	5	9	11	15	21	33	45	81
P110	Solid Shaft (N, W)	26	27	28	29	30	31	32	33	34
	Flange Shaft (F)	53	54	55	56	57	58	59	60	61
P120	Solid Shaft (N, W)	35	36	37	38	39	40	41	42	43
	Flange Shaft (F)	62	63	64	65	66	67	68	69	70
P130	Solid Shaft (N, W)	44	45	46	47	48	49	50	51	52
	Flange Shaft (F)	71	72	73	74	75	76	77	78	79

Note: *Refer to Selection Table 3 (on pages 20, 22-23) for rated torque, allowable maximum input speed, allowable peak torque, and allowable radial load for each frame size.

*Check the value of no load running torque in Selection Table 1 (page 8) when using the combinations marked with Δ . Consult us for larger no load running torque is larger. Specialized units may be available.

*Refer to Selection Table 3 (on page 20) for allowable peak torque at startup for combinations marked \bullet .

Selection Table 2 (Frame Size Combination Table for Each Servo Motor Manufacturers)

6. FANUC Ltd.

β is Series (Rated speed: 4000-2000 r/min) Applies to rated speed torque.

Servo motor Capacity [W]	Nomenclature of Servo Motor () indicates reted spped	Reduction Ratio									Motor Flange Code
		3.7	5	9	11	15	21	33	45	81	
50	β 0.2/5000is (4000)	P110 Δ	P110 Δ	P110 Δ	P110 Δ	P110 Δ	P110 Δ	P110 Δ	P110 Δ	P110 Δ	2D
100	β 0.3/5000is (4000)	P110 Δ	P110 Δ	P110 Δ	P110 Δ	P110 Δ	P110 Δ	P110 Δ	P110 Δ	P110 Δ	2D
130	β 0.4/5000is (4000)	P110	P110	P110	P110	P110	P110	P110	P110	P110	2H
200	β 0.5/5000is (4000)	P110	P110	P110	P110	P110	P110 \bullet	P110 \bullet	P110 \bullet	P110 \bullet	2H
400	β 1/5000is (4000)	P110	P110	P110	P120	P120	P120	P120 \bullet	P120 \bullet	-	2R
500	β 2/4000is (4000)	P110	P110	P120	P120	P120	P120	P120 \bullet	P120 \bullet	-	2J
750	β 4/4000is (3000)	P120	P120	P120	P120	P120	P120 \bullet	P130	-	-	0V
1200	β 8/3000is (2000)	P120	P120	P130	P130	P130	P130	-	-	-	7X
1800	β 12/3000is (2000)	P120	P120	P130	P130 \bullet	P130 \bullet	-	-	-	-	7Z
2500	β 22/2000is (2000)	P130	P130	-	-	-	-	-	-	-	0X

α is Series (Rated speed: 4000-2000 r/min)

Servo motor Capacity [W]	Nomenclature of Servo Motor () indicates reted spped	Reduction Ratio									Motor Flange Code
		3.7	5	9	11	15	21	33	45	81	
750	α 2/5000is (4000)	P110	P110	P120	P120	P120	P120	P130	P130	P130 \bullet	2J
1000	α 4/5000is (4000)	P120	P120	P120	P120	P120	P120	P130	P130	-	0V
2500	α 8/4000is (4000)	P120	P120	P130	-	-	-	-	-	-	7X
2700	α 12/4000is (3000)	P130	P130	-	-	-	-	-	-	-	7Z
4500	α 22/4000is (3000)	P130	P130	-	-	-	-	-	-	-	0X
5500	α 30/4000is (3000)	-	-	-	-	-	-	-	-	-	0X
5500	α 40/4000is (3000)	-	-	-	-	-	-	-	-	-	0X
5000	α 50/3000is (2000)	-	-	-	-	-	-	-	-	-	0X

Page of Dimension Table

[Page]

Frame Size	Output Shaft Type	Reduction Ratio								
		3.7	5	9	11	15	21	33	45	81
P110	Solid Shaft (N, W)	26	27	28	29	30	31	32	33	34
	Flange Shaft (F)	53	54	55	56	57	58	59	60	61
P120	Solid Shaft (N, W)	35	36	37	38	39	40	41	42	43
	Flange Shaft (F)	62	63	64	65	66	67	68	69	70
P130	Solid Shaft (N, W)	44	45	46	47	48	49	50	51	52
	Flange Shaft (F)	71	72	73	74	75	76	77	78	79

Note: *Refer to Selection Table 3 (on pages 20, 22-23) for rated torque, allowable maximum input speed, allowable peak torque, and allowable radial load for each frame size.

*Check the value of no load running torque in Selection Table 1 (page 8) when using the combinations marked with Δ . Consult us for larger no load running torque is larger. Specialized units may be available.

*Refer to Selection Table 3 (on page 20) for allowable peak torque at startup for combinations marked \bullet .

Selection Table 2 (Frame Size Combination Table for Each Servo Motor Manufacturers)

7. KEYENCE

MV Series (Rated speed: 3000 r/min)

Servo Motor Capacity [W]	Nomenclature of Servo Motor	Reduction Ratio									Motor Flange Code	
		3.7	5	9	11	15	21	33	45	81		
50	MV-M05(MV-B05)	P110 Δ	P110 Δ	P110 Δ	P110 Δ	P110 Δ	P110 Δ	P110 Δ	P110 Δ	P110 Δ	P110 Δ	2D
100	MV-M10(MV-B10)	P110 Δ	P110 Δ	P110 Δ	P110 Δ	P110 Δ	P110 Δ	P110 Δ	P110	P110	P120 Δ	2D
200	MV-M20(MV-B20)	P110	P110	P110	P110	P110	P110	P110	P110 \bullet	P120	P120 \bullet	2R
400	MV-M40(MV-B40)	P110	P110	P110	P120	P120	P120	P120	P120	P120	P130	2R
750	MV-M75(MV-B75)	P120	P120	P120	P120	P120	P120	P120	P130	P130	-	0U

Note: *Refer to Selection Table 3 (on pages 20, 22-23) for rated torque, allowable maximum input speed, allowable peak torque, and allowable radial load for each frame size.

*Check the value of no load running torque in Selection Table 1 (page 8) when using the combinations marked with Δ . Consult us for larger no load running torque is larger. Specialized units may be available.

*Refer to Selection Table 3 (on page 20) for allowable peak torque at startup for combinations marked \bullet .

Selection Table 3 (Rating Table)

Table1-1 Rating Table (SI Unit)

Input Speed (r/min)		6000	5000	4000	3000	2000	1500	1000	Allowable Peak Torque at Startup and Stop ^{*2,*6}	Maximum Torque at Emergency ^{*3,*6}	Allowable Maximum Input Speed ^{*4}
Frame Size	Reduction Ratio	Rated Torque ^{*1}									
		Nm									
P110	3.7(3/11)	8.0	8.5	9.0	10.0	11.0	12.0	13.5	40.0	60.0	6000
	5	8.5	9.0	9.5	10.5	12.0	13.0	14.5	45.0		
	9	9.5	10.0	10.5	11.5	11.5	11.5	11.5	35.0		
	11	12.5	13.0	14.0	15.5	17.5	18.0	18.5	45.0		
	15	12.5	13.5	14.0	15.5	17.5	19.0	21.5			
	21	14.0	15.0	16.0	17.5	19.5	21.5	22.5			
	33	18.0	18.0	18.0	18.5	18.5	18.5	18.5			
	45	18.0	19.0	20.0	22.0	22.5	22.5	22.5	35.0		
81	11.5	11.5	11.5	11.5	11.5	11.5	11.5	11.5			
P120	3.7(3/11)	34.0	36.0	38.5	42.0	47.5	52.0	58.5	140.0	175.0	6000
	5	36.0	38.0	41.0	44.5	50.5	55.0	62.0	145.0	240.0	
	9	41.0	43.0	43.0	43.0	43.5	43.5	43.5	140.0	200.0	
	11	27.5	29.0	31.0	34.0	38.5	42.0	47.5	135.0	180.0	
	15	37.5	40.0	42.5	46.5	52.5	57.5	64.5	185.0	250.0	
	21	40.0	42.5	45.5	49.5	56.0	61.0	69.0	190.0		
	33	34.5	36.5	39.0	40.5	40.5	40.5	40.5	135.0	180.0	
	45	47.0	49.5	53.0	55.0	55.0	55.0	55.5	180.0	250.0	
81	43.5	43.5	43.5	43.5	43.5	43.5	43.5	140.0	200.0		
P130	3.7(3/11)	-	70.0	75.0	82.0	92.5	101.0	114.0	290.0	445.0	5000
	5		74.0	79.5	86.5	97.5	106.5	120.5	325.0	500.0	
	9		83.5	89.5	97.5	100.0	100.0	100.5	330.0		
	11		56.5	60.5	66.0	74.5	81.0	92.0	320.0	395.0	
	15		77.0	82.5	90.0	101.5	111.0	125.0	380.0	500.0	
	21		82.0	88.0	96.0	105.5	118.0	133.5			
	33		70.5	75.5	82.0	93.0	101.0	114.5	355.0	395.0	
	45		96.0	103.0	112.0	126.5	138.0	153.0	380.0	500.0	
81	100.5	100.5	101.0	101.0	101.0	101.0	330.0				

Table 1-2 Rating Table (Engineering Unit)

Input Speed (r/min)		6000	5000	4000	3000	2000	1500	1000	Allowable Peak Torque at Startup and Stop ^{*2,*6}	Maximum Torque at Emergency ^{*3,*6}	Allowable Maximum Input Speed ^{*4}
Frame Size	Reduction Ratio	Rated Torque ^{*1}									
		kgf·m									
P110	3.7	0.82	0.87	0.92	1.02	1.12	1.22	1.38	4.08	6.12	6000
	5	0.87	0.92	0.97	1.07	1.22	1.33	1.48	4.59		
	9	0.97	1.02	1.07	1.17	1.17	1.17	1.17	3.57		
	11	1.27	1.33	1.43	1.58	1.78	1.83	1.89	4.59		
	15	1.27	1.38	1.43	1.58	1.78	1.94	2.19			
	21	1.43	1.53	1.63	1.78	1.99	2.19	2.29			
	33	1.83	1.83	1.83	1.89	1.89	1.89	1.89			
	45	1.83	1.94	2.04	2.24	2.29	2.29	2.29	3.57		
81	1.17	1.17	1.17	1.17	1.17	1.17	1.17	1.17			
P120	3.7	3.47	3.67	3.92	4.28	4.84	5.30	5.96	14.3	17.8	6000
	5	3.67	3.87	4.18	4.54	5.15	5.61	6.32	14.8	24.5	
	9	4.18	4.38	4.38	4.38	4.43	4.43	4.43	14.3	20.4	
	11	2.80	2.96	3.16	3.47	3.92	4.28	4.84	13.8	18.3	
	15	3.82	4.08	4.33	4.74	5.35	5.86	6.57	18.9	25.5	
	21	4.08	4.33	4.64	5.05	5.71	6.22	7.03	19.4	25.5	
	33	3.52	3.72	3.98	4.13	4.13	4.13	4.13	13.8	18.3	
	45	4.79	5.05	5.40	5.61	5.61	5.61	5.66	18.3	25.5	
81	4.43	4.43	4.43	4.43	4.43	4.43	4.43	14.3	20.4		
P130	3.7	-	7.14	7.65	8.36	9.43	10.30	11.6	29.6	45.4	5000
	5		7.54	8.10	8.82	9.94	10.86	12.3	33.1	51.0	
	9		8.51	9.12	9.94	10.2	10.2	10.2	33.6		
	11		5.76	6.17	6.73	7.59	8.26	9.38	32.6	40.3	
	15		7.85	8.41	9.17	10.35	11.3	12.7	38.7	51.0	
	21		8.36	8.97	9.79	10.75	12.0	13.6			
	33		7.19	7.70	8.36	9.48	10.3	11.7	36.2	40.3	
	45		9.79	10.5	11.4	12.9	14.1	15.6	38.7	51.0	
81	10.2	10.2	10.3	10.3	10.3	10.3	33.6				

Selection Table 3 (Rating Table)

Table1-3 Allowable Operation Cycle

Input Speed (r/min)		6000		5000		4000		3000		2000		1500		1000	
Frame Size	Reduction Ratio	Allowable continuous operation period	Allowable % ED	Allowable continuous operation period	Allowable % ED	Allowable continuous operation period	Allowable % ED	Allowable continuous operation period	Allowable % ED	Allowable continuous operation period	Allowable % ED	Allowable continuous operation period	Allowable % ED	Allowable continuous operation period	Allowable % ED
		min	%	min	%	min	%	min	%	min	%	min	%	min	%
P110	3.7(3/11)	5	30	10	50	10	60	20	70	20	80	30	90	30	90
	5		40		60		70		80						
	9		50		70		80		90						
	11		40		60		70		80		90				
	15														
	21														
	33														
	45		50		70		80		90						
	81														
P120	3.7(3/11)	5	20	10	20	10	30	20	40	20	60	30	70	30	90
	5		30		50		60		70		80				
	9		40		60		70		80						
	11		30		50		60		70		80				
	15														
	21														
	33														
	45		40		60		70		80						
	81														
P130	3.7(3/11)	-	-	5	20	5	30	10	40	15	60	20	70	30	80
	5			30	50	60	70	80							
	9			40	60	70	80								
	11			10	30	50	60	70							
	15														
	21														
	33														
	45			40	60	70	80								
	81														

P1 Type

- *1: Rated torque is the allowable value of the average load torque at the output shaft. The rated torque for the input speed of 1000 r/min or less is the same as the rated torque of 1000 r/min.
- *2: Maximum allowable torque when startup and stop during operation cycle.
- *3: Maximum allowable value of the shock torque at emergency stop or external shock torque. Should be less than 1,000 times in one lifetime.
- *4: Maximum allowable input speed when not under constant operation condition.
- *5: Allowable constant operation hours for intermittent operation condition (Consult us when exceeding or when continuously operating).
- *6: Some values are not allowable depending on the input shaft diameter.
Make sure to follow the method of motor attachment in page 88.

Selection Table 3 (Allowable External Rating)

Table 2-1 External Load (SI Unit)

Motor Speed (r/min)		6000		5000		4000		3000		2000		1500		1000		Allowable Moment Nm
Frame Size	Reduction Ratio	Radial Load *1	Axial Load *2	Radial Load *1	Axial Load *2	Radial Load *1	Axial Load *2	Radial Load *1	Axial Load *2	Radial Load *1	Axial Load *2	Radial Load *1	Axial Load *2	Radial Load *1	Axial Load *2	
		N	N	N	N	N	N	N	N	N	N	N	N	N	N	
P110	3.7(3/11)	215	425	230	450	250	485	275	535	315	610	345	670	395	770	70
	5	240	470	255	500	275	540	305	595	350	680	385	750	440	860	
	9	295	575	315	610	335	655	370	725	425	830	470	910	535	1045	
	11	310	615	330	650	355	700	395	775	450	885	495	975	570	1115	
	15	350	680	370	725	400	780	440	860	505	985	555	1080	635	1240	
	21	390	760	415	810	450	870	495	960	565	1100	620	1210	715	1385	
	33	455	885	485	940	520	1015	575	1115	655	1280	725	1405	830	1610	
	45	505	985	535	1045	580	1125	635	1240	730	1420	805	1560	920	1785	
81	615	1190	655	1265	705	1360	775	1500	890	1715	980	1885	1050	2160		
P120	3.7(3/11)	670	1245	710	1320	765	1425	845	1570	965	1795	1065	1975	1215	2260	300
	5	745	1385	790	1475	855	1590	940	1750	1075	2000	1185	2205	1355	2525	
	9	905	1690	965	1795	1040	1935	1145	2130	1310	2435	1440	2680	1650	3070	
	11	965	1800	1025	1915	1105	2060	1220	2270	1395	2595	1535	2860	1760	3270	
	15	1075	2000	1145	2130	1230	2295	1355	2525	1550	2890	1710	3180	1955	3640	
	21	1205	2240	1280	2380	1380	2565	1515	2825	1735	3235	1910	3560	2190	4075	
	33	1400	2605	1485	2770	1600	2985	1765	3285	2020	3760	2225	4140	2545	4735	
	45	1550	2890	1650	3070	1775	3305	1955	3640	2240	4170	2465	4585	2825	4800	
81	1890	3515	2005	3735	2165	4025	2380	4430	2725	4800	2900	4800	2900	4800		
P130	3.7(3/11)	-	-	955	2015	1030	2170	1135	2390	1295	2735	1430	3010	1635	3445	620
	5	-	-	1060	2235	1140	2405	1260	2650	1440	3030	1585	3335	1815	3820	
	9	-	-	1290	2715	1390	2925	1530	3220	1750	3685	1930	4055	2210	4640	
	11	-	-	1375	2910	1480	3135	1630	3450	1865	3945	2050	4345	2350	4975	
	15	-	-	1530	3230	1650	3480	1815	3830	2075	4380	2285	4825	2620	5520	
	21	-	-	1710	3610	1845	3885	2030	4280	2325	4895	2560	5390	2930	6170	
	33	-	-	1990	4200	2145	4525	2360	4980	2705	5700	2975	6270	3405	7180	
	45	-	-	2210	4655	2380	5015	2620	5520	3000	6315	3300	6955	3780	7960	
81	-	-	2685	5665	2895	6105	3185	6720	3645	7690	4015	8465	4500	9400		

*1: Radial load is the value applied to the middle of the output shaft (at axial load).

*2: Axial load is the value applied to the center of the output shaft (at radial load).

Multiply radial load locating factor to the value in the above table when the radial load is applied to locations other than the middle of the output shaft.

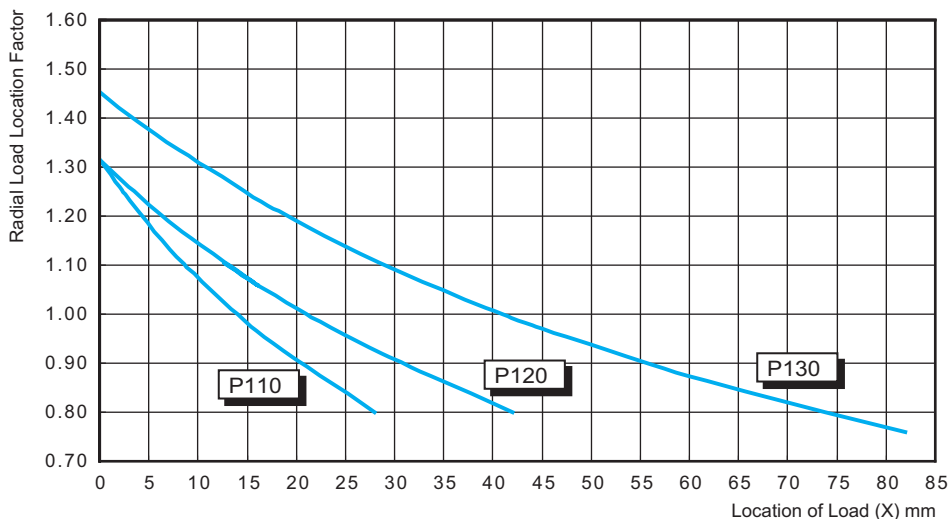


Fig. 2 Radial Load Location Factor

Selection Table 3 (Allowable External Rating)

Table 2-2 External Load (SI Engineering)

Motor Speed r/min		6000		5000		4000		3000		2000		1500		1000		Allowable Momen kgfm
Frame Size	Reduction Ratio	Radial Load *1	Axial Load *2	Radial Load *1	Axial Load *2	Radial Load *1	Axial Load *2	Radial Load *1	Axial Load *2	Radial Load *1	Axial Load *2	Radial Load *1	Axial Load *2	Radial Load *1	Axial Load *2	
		kgf	kgf	kgf	kgf	kgf	kgf	kgf	kgf	kgf	kgf	kgf	kgf	kgf	kgf	
P110	3.7(3/11)	21.9	43.3	23.4	45.9	25.5	49.4	28.0	54.5	32.1	62.2	35.2	68.3	40.3	78.5	7.13
	5	24.5	47.9	26.0	51.0	28.0	55.0	31.1	60.7	35.7	69.3	39.2	76.5	44.9	87.7	
	9	30.1	58.6	32.1	62.2	34.1	66.8	37.7	73.9	43.3	84.6	47.9	92.8	54.5	106.5	
	11	31.6	62.7	33.6	66.3	36.2	71.4	40.3	79.0	45.9	90.2	50.5	99.4	58.1	113.7	
	15	35.7	69.3	37.7	73.9	40.8	79.5	44.9	87.7	51.5	100.4	56.6	110.1	64.7	126.4	
	21	39.8	77.5	42.3	82.6	45.9	88.7	50.5	97.9	57.6	112.1	63.2	123.3	72.9	141.2	
	33	46.4	90.2	49.4	95.8	53.0	103.5	58.6	113.7	66.8	130.5	73.9	143.2	84.6	164.1	
	45	51.5	100.4	54.5	106.5	59.1	114.7	64.7	126.4	74.4	144.8	82.1	159.0	93.8	182.0	
81	62.7	121.3	66.8	129.0	71.9	138.6	79.0	152.9	90.7	174.8	99.9	192.2	107.0	220.2		
P120	3.7(3/11)	68.3	126.9	72.4	134.6	78.0	145.3	86.1	160.0	98.4	183.0	108.6	201.3	123.9	230.4	30.6
	5	75.9	141.2	80.5	150.4	87.2	162.1	95.8	178.4	109.6	203.9	120.8	224.8	138.1	257.4	
	9	92.3	172.3	98.4	183.0	106.0	197.2	116.7	217.1	133.5	248.2	146.8	273.2	168.2	312.9	
	11	98.4	183.5	104.5	195.2	112.6	210.0	124.4	231.4	142.2	264.5	156.5	291.5	179.4	333.3	
	15	109.6	203.9	116.7	217.1	125.4	233.9	138.1	257.4	158.0	294.6	174.3	324.2	199.3	371.0	
	21	122.8	228.3	130.5	242.6	140.7	261.5	154.4	288.0	176.9	329.8	194.7	362.9	223.2	415.4	
	33	142.7	265.5	151.4	282.4	163.1	304.3	179.9	334.9	205.9	383.3	226.8	422.0	259.4	482.7	
	45	158.0	294.6	168.2	312.9	180.9	336.9	199.3	371.0	228.3	425.1	251.3	467.4	288.0	489.3	
81	192.7	358.3	204.4	380.7	220.7	410.3	242.6	451.6	277.8	489.3	295.6	489.3	295.6	489.3		
P130	3.7(3/11)	-	-	97.3	205.4	105.0	221.2	115.7	243.6	132.0	278.8	145.8	306.8	166.7	351.2	63.2
	5	-	-	108.1	227.8	116.2	245.2	128.4	270.1	146.8	308.9	161.6	340.0	185.0	389.4	
	9	-	-	131.5	276.8	141.7	298.2	156.0	328.2	178.4	375.6	196.7	413.4	225.3	473.0	
	11	-	-	140.2	296.6	150.9	319.6	166.2	351.7	190.1	402.1	209.0	442.9	239.6	507.1	
	15	-	-	156.0	329.3	168.2	354.7	185.0	390.4	211.5	446.5	232.9	491.8	267.1	562.7	
	21	-	-	174.3	368.0	188.1	396.0	206.9	436.3	237.0	499.0	261.0	549.4	298.7	629.0	
	33	-	-	202.9	428.1	218.7	461.3	240.6	507.6	275.7	581.0	303.3	639.1	347.1	731.9	
	45	-	-	225.3	474.5	242.6	511.2	267.1	562.7	305.8	643.7	336.4	709.0	385.3	811.4	
81	-	-	273.7	577.5	295.1	622.3	324.7	685.0	371.6	783.9	409.3	862.9	458.7	958.2		

P1 Type

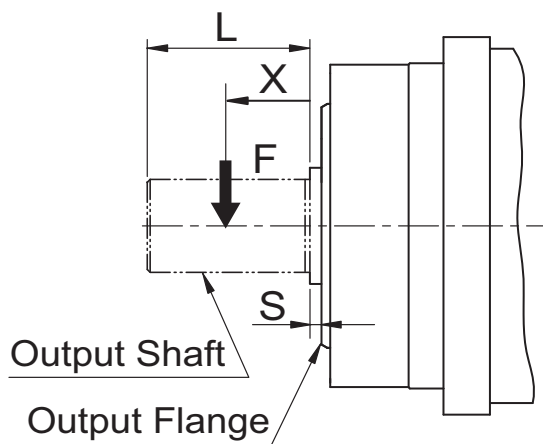
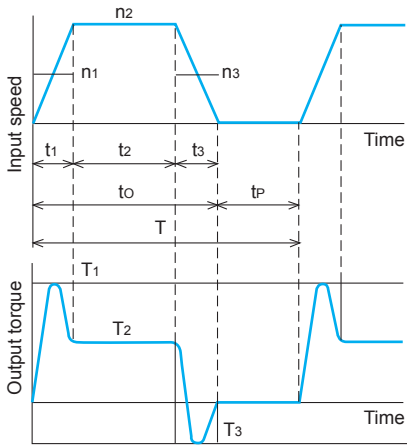


Fig. 3

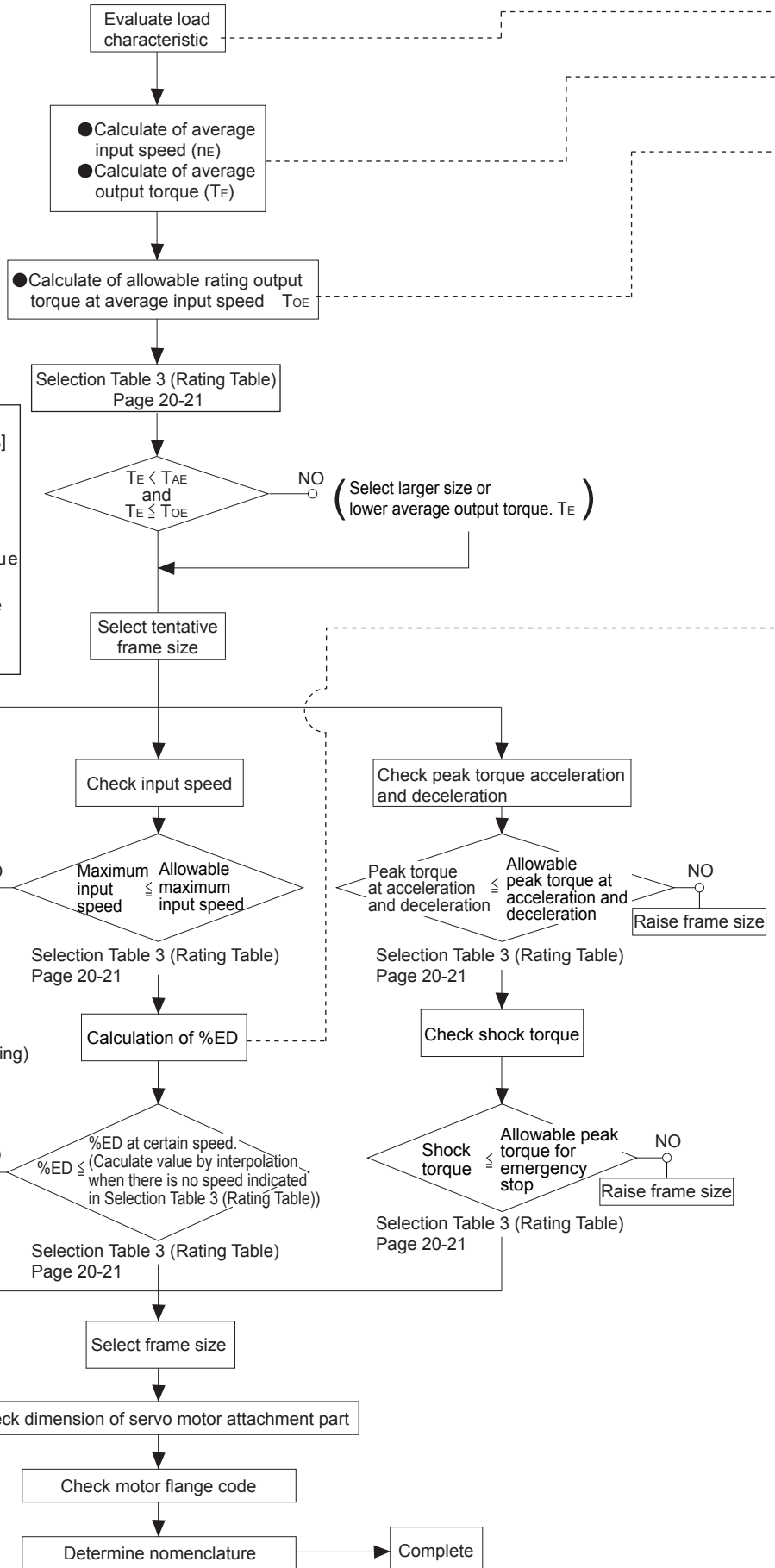
Selection Procedure

Flow Chart and Formula of Selection

Fig. 4 Load Pattern



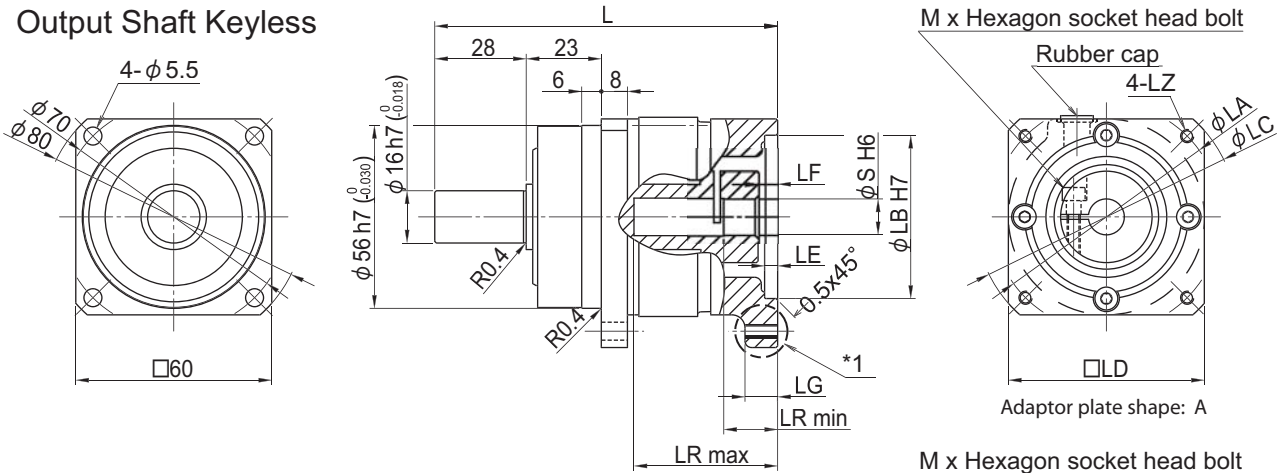
n_1 : Average input speed at acceleration when as in Fig 4: $n_1 = \frac{n_2}{2}$ [r/min]
 n_2 : Input speed at normal operation
 n_3 : Average input speed at deceleration when as in Fig 4: $n_1 = n_3 = \frac{n_2}{2}$ [r/min]
 t_1 : Acceleration time [s]
 t_2 : Steady operation time [s]
 t_3 : Deceleration time [s]
 t_o : Operation time [s]
 t_p : Stop time [s]
 T : Operation cycle [s]
 T_1 : Starting peak torque [Nm]
 T_2 : Steady operation torque [Nm]
 T_3 : Stopping peak torque [Nm]



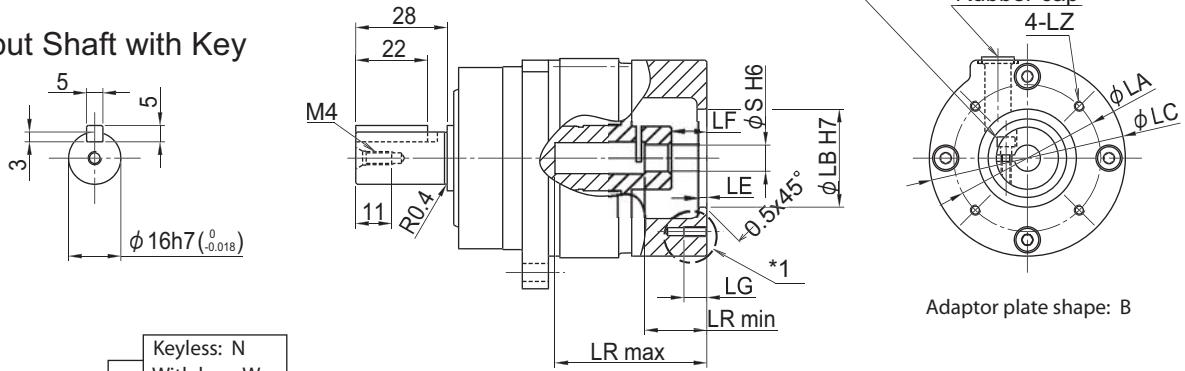
Dimension Drawings

Frame Size: P110
 Reduction Ratio: 1/3.7
 Solid Shaft

Output Shaft Keyless



Output Shaft with Key



Nomenclature ANFX-P110

Keyless: N
 With key: W

Output shaft type Motor flange code Backlash Reduction ratio (3.7)

3 min: L3
 15 min: LD

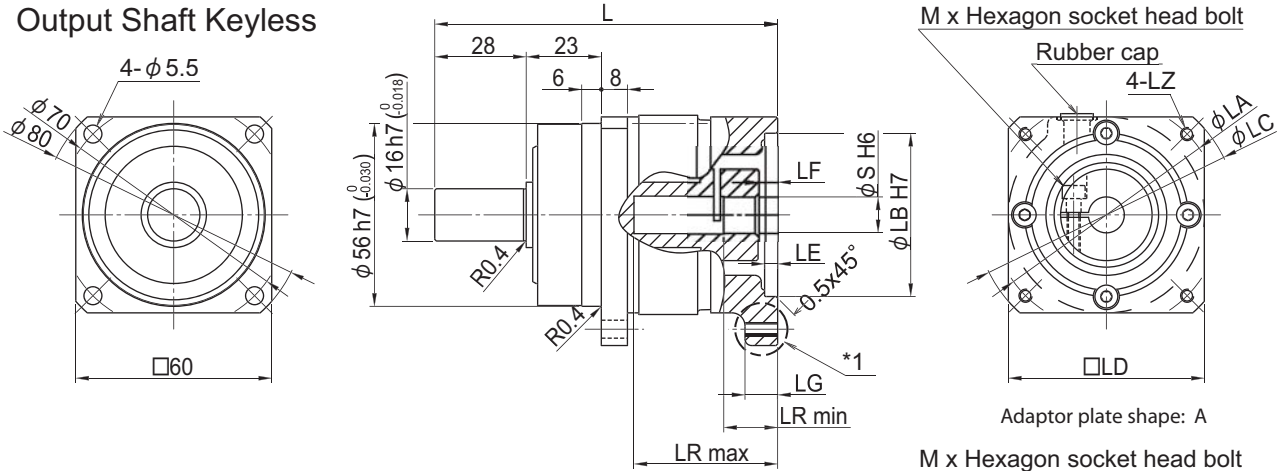
Motor flange code	L	LA	LB	LC	LD	LE	LF	Dimension LG	*1	Adaptor plate shape	LZ	LR		S	M	Mass [kg]	Motor flange code		
												max	min						
2C	107.5	45	30	60	-	5	11	7	Useful thread length	B	M3	46.5	19	8	M3	0.9	2C		
7J		46	30	60	-	5	11	9	Useful thread length		M4	46.5	19	6	M3	0.9	7J		
2D		46	30	60	-	5	11	9	Useful thread length		M4	46.5	19	8	M3	0.9	2D		
2E	105	60	50	80	60	4	8.5	8	Useful thread length	A	M4	44	16.5	8	M3	0.9	2E		
2K		60	50	80	60	4	6	8	Useful thread length		M4	44	16.5	11	M4	0.9	2K		
2F		70	50	80	60	4	8.5	10	Through hole		M4	44	16.5	8	M3	0.9	2F		
2L		70	50	80	60	4	6	10	Through hole		M4	44	16.5	11	M4	0.9	2L		
2P		70	50	80	60	4	6	10	Through hole		M4	44	16.5	14	M4	0.9	2P		
2G		70	50	80	60	4	8.5	10	Through hole		M5	44	16.5	8	M3	0.9	2G		
2H		70	50	80	60	4	6	10	Through hole		M5	44	16.5	9	M4	0.9	2H		
2R		70	50	80	60	4	6	10	Through hole		M5	44	16.5	14	M4	0.9	2R		
8A		106.5	90	70	105	80	6	7.5	12		Through hole	A	M5	45.5	18	11	M4	1.0	8A
8B			90	70	105	80	6	7.5	12		Through hole		M5	45.5	18	14	M4	1.0	8B
2T	90		70	105	80	6	7.5	12	Through hole	M6	45.5		18	14	M4	1.0	2T		
2J	112	100	80	120	90	5	13	12	Through hole	M6	51	23.5	10	M4	1.1	2J			
8E	128.5	100	80	120	90	6	9.5	12	Through hole	M6	41	22	16	M5	1.3	8E			

Note 1: Dimension of shaft end key: Dimension tolerance conforms to JIS B 1301-1996 "Parallel Key."
 Note 2: Dimensions and mass shown in the above figures are subject to change without prior notification.

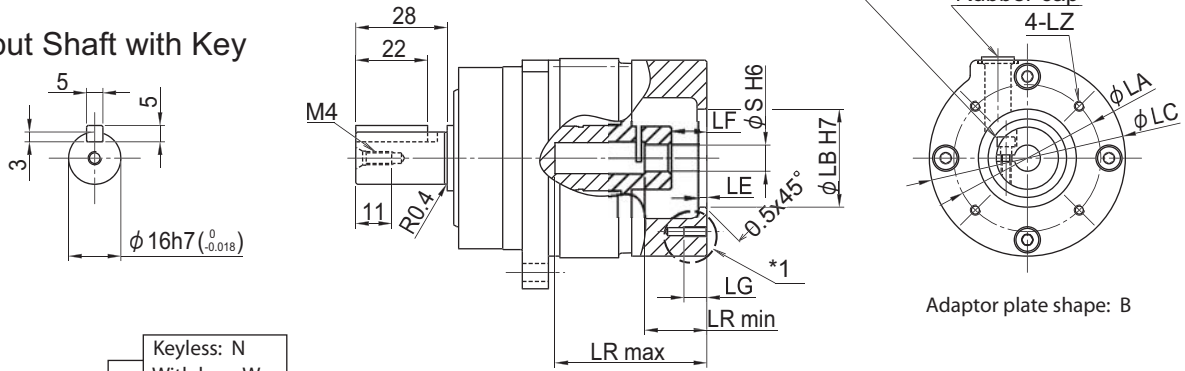
Dimension Drawings

Frame Size: P110
 Reduction Ratio: 1/9
 Solid Shaft

Output Shaft Keyless



Output Shaft with Key



Nomenclature ANFX-P110

Keyless: N
 With key: W

Output shaft type Motor flange code Backlash Reduction ratio (9)

3 min: L3
 15 min: LD

Motor flange code	L	LA	LB	LC	LD	LE	LF	Dimension LG	*1	Adaptor plate shape	LR				S	M	Mass [kg]	Motor flange code
											LZ	max	min					
2C	107.5	45	30	60	-	5	11	7	Useful thread length	B	M3	46.5	19	8	M3	0.9	2C	
7J		46	30	60	-	5	11	9	Useful thread length		M4	46.5	19	6	M3	0.9	7J	
2D		46	30	60	-	5	11	9	Useful thread length		M4	46.5	19	8	M3	0.9	2D	
2E	105	60	50	80	60	4	8.5	8	Useful thread length	A	M4	44	16.5	8	M3	0.9	2E	
2K		60	50	80	60	4	6	8	Useful thread length		M4	44	16.5	11	M4	0.9	2K	
2F		70	50	80	60	4	8.5	10	Through hole		M4	44	16.5	8	M3	0.9	2F	
2L		70	50	80	60	4	6	10	Through hole		M4	44	16.5	11	M4	0.9	2L	
2P		70	50	80	60	4	6	10	Through hole		M4	44	16.5	14	M4	0.9	2P	
2G		70	50	80	60	4	8.5	10	Through hole		M5	44	16.5	8	M3	0.9	2G	
2H		70	50	80	60	4	6	10	Through hole		M5	44	16.5	9	M4	0.9	2H	
2R		70	50	80	60	4	6	10	Through hole		M5	44	16.5	14	M4	0.9	2R	
8A		106.5	90	70	105	80	6	7.5	12		Through hole	M5	45.5	18	11	M4	1.0	8A
8B			90	70	105	80	6	7.5	12		Through hole	M5	45.5	18	14	M4	1.0	8B
2T	90		70	105	80	6	7.5	12	Through hole	M6	45.5	18	14	M4	1.0	2T		
2J	112	100	80	120	90	5	13	12	Through hole	M6	51	23.5	10	M4	1.2	2J		
8E	128.5	100	80	120	90	6	9.5	12	Through hole	M6	41	22	16	M5	1.3	8E		

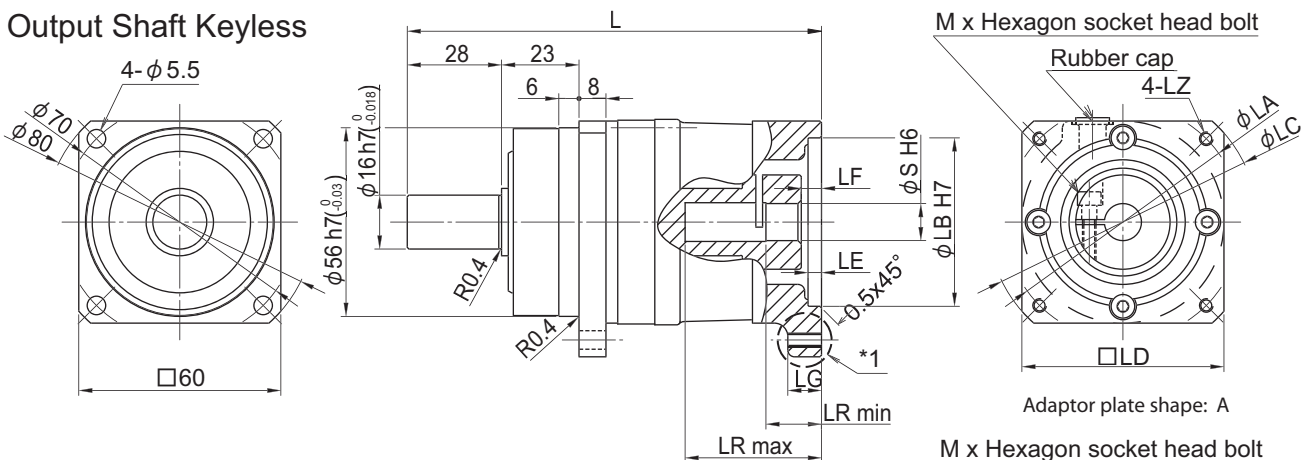
Note 1: Dimension of shaft end key: Dimension tolerance conforms to JIS B 1301-1996 "Parallel Key."
 Note 2: Dimensions and mass shown in the above figures are subject to change without prior notification.

Dimension Drawings

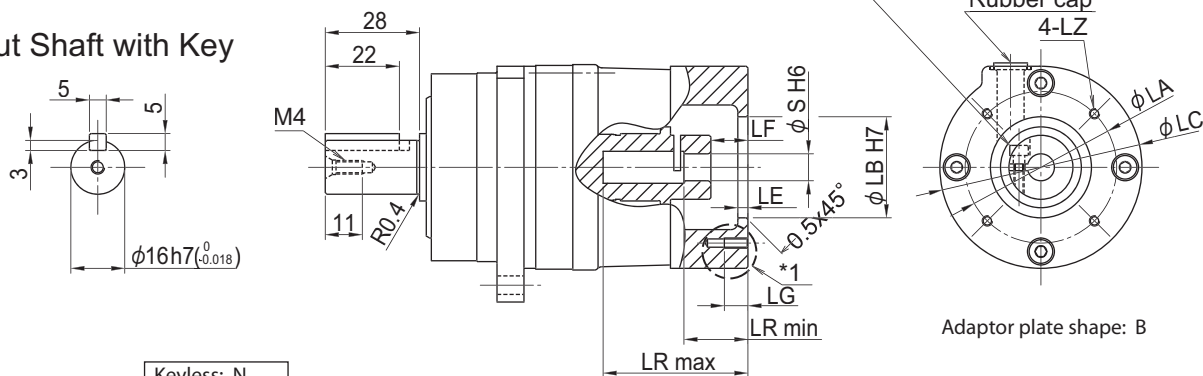
P1 Type

Frame Size: P110
Reduction Ratio: 1/11
Solid Shaft

Output Shaft Keyless



Output Shaft with Key



Nomenclature ANFX-P110

Keyless: N
With key: W

Output shaft type Motor flange code Backlash Reduction ratio (11)

3 min: L3
15 min: LD

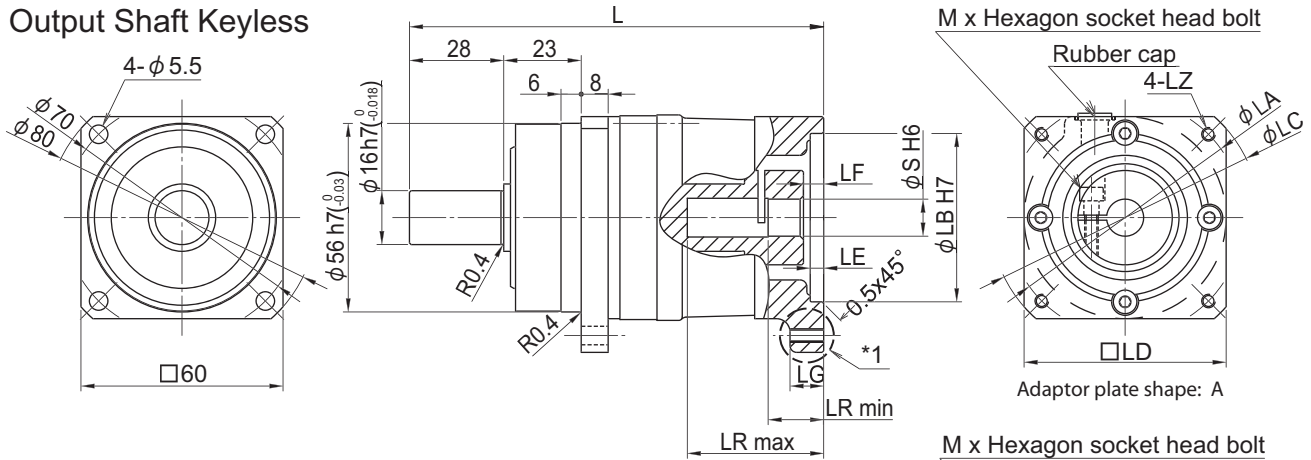
Motor flange code	Dimension										Adaptor plate shape	LZ	LR		S	M	Mass [kg]	Motor flange code
	L	LA	LB	LC	LD	LE	LF	LG	*1	Shape			max	min				
2C	125.5	45	30	60	-	5	11	7	Useful thread length	B	M3	43	19	8	M3	1.1	2C	
7J		46	30	60	-	5	11	9	Useful thread length		M4	43	19	6	M3	1.1	7J	
2D		46	30	60	-	5	11	9	Useful thread length		M4	43	19	8	M3	1.1	2D	
2E	123	60	50	80	60	4	8.5	9	Useful thread length	A	M4	40.5	16.5	8	M3	1.1	2E	
2K		60	50	80	60	4	6	9	Useful thread length		M4	40.5	16.5	11	M4	1.2	2K	
2F		70	50	80	60	4	8.5	10	Through hole		M4	40.5	16.5	8	M3	1.1	2F	
2L		70	50	80	60	4	6	10	Through hole		M4	40.5	16.5	11	M4	1.2	2L	
2G		70	50	80	60	4	8.5	10	Through hole		M5	40.5	16.5	8	M3	1.1	2G	
2H		70	50	80	60	4	6	10	Through hole		M5	40.5	16.5	9	M4	1.2	2H	
2R		70	50	80	60	4	6	10	Through hole		M5	40.5	16.5	14	M4	1.2	2R	
8A		124.5	90	70	105	80	6	7.5	12		Through hole	M5	42	18	11	M4	1.3	8A
8B	90		70	105	80	6	7.5	12	Through hole	M5	42	18	14	M4	1.3	8B		
2T	90		70	105	80	6	7.5	12	Through hole	M6	42	18	14	M4	1.3	2T		

Note 1: Dimension of shaft end key: Dimension tolerance conforms to JIS B 1301-1996 "Parallel Key."
2: Dimensions and mass shown in the above figures are subject to change without prior notification.

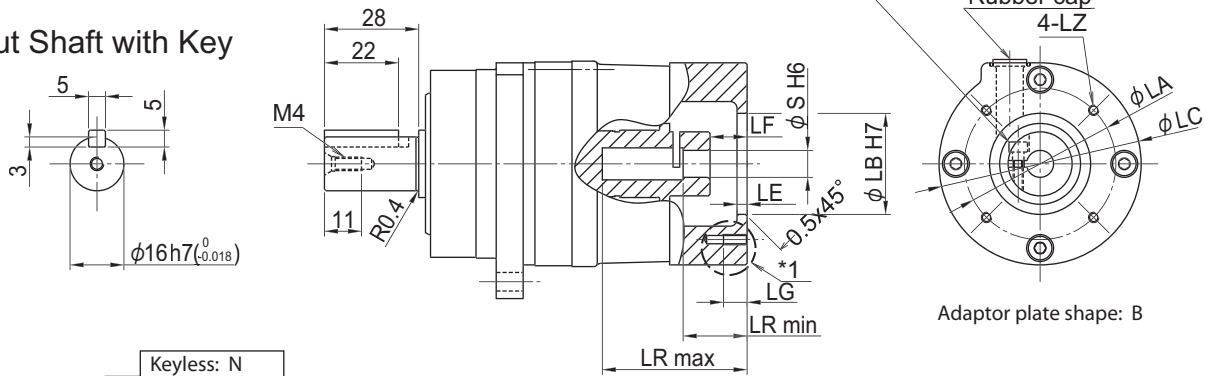
Dimension Drawings

Frame Size: P110
 Reduction Ratio: 1/15
 Solid Shaft

Output Shaft Keyless



Output Shaft with Key



Nomenclature ANFX-P110

Keyless: N
 With key: W

Output shaft type Motor flange code Backlash Reduction ratio (15)

3 min: L3
 15 min: LD

Motor flange code	Dimension										Adaptor plate shape	LZ	LR		S	M	Mass [kg]	Motor flange code
	L	LA	LB	LC	LD	LE	LF	LG	*1	Shape			max	min				
2C	125.5	45	30	60	-	5	11	7	Useful thread length	B	M3	43	19	8	M3	1.1	2C	
7J		46	30	60	-	5	11	9	Useful thread length		M4	43	19	6	M3	1.1	7J	
2D		46	30	60	-	5	11	9	Useful thread length		M4	43	19	8	M3	1.1	2D	
2E	123	60	50	80	60	4	8.5	9	Useful thread length	A	M4	40.5	16.5	8	M3	1.1	2E	
2K		60	50	80	60	4	6	9	Useful thread length		M4	40.5	16.5	11	M4	1.2	2K	
2F		70	50	80	60	4	8.5	10	Through hole		M4	40.5	16.5	8	M3	1.1	2F	
2L		70	50	80	60	4	6	10	Through hole		M4	40.5	16.5	11	M4	1.2	2L	
2G		70	50	80	60	4	8.5	10	Through hole		M5	40.5	16.5	8	M3	1.1	2G	
2H		70	50	80	60	4	6	10	Through hole		M5	40.5	16.5	9	M4	1.2	2H	
2R		70	50	80	60	4	6	10	Through hole		M5	40.5	16.5	14	M4	1.2	2R	
8A		124.5	90	70	105	80	6	7.5	12		Through hole	M5	42	18	11	M4	1.3	8A
8B			90	70	105	80	6	7.5	12		Through hole	M5	42	18	14	M4	1.3	8B
2T	90		70	105	80	6	7.5	12	Through hole	M6	42	18	14	M4	1.3	2T		

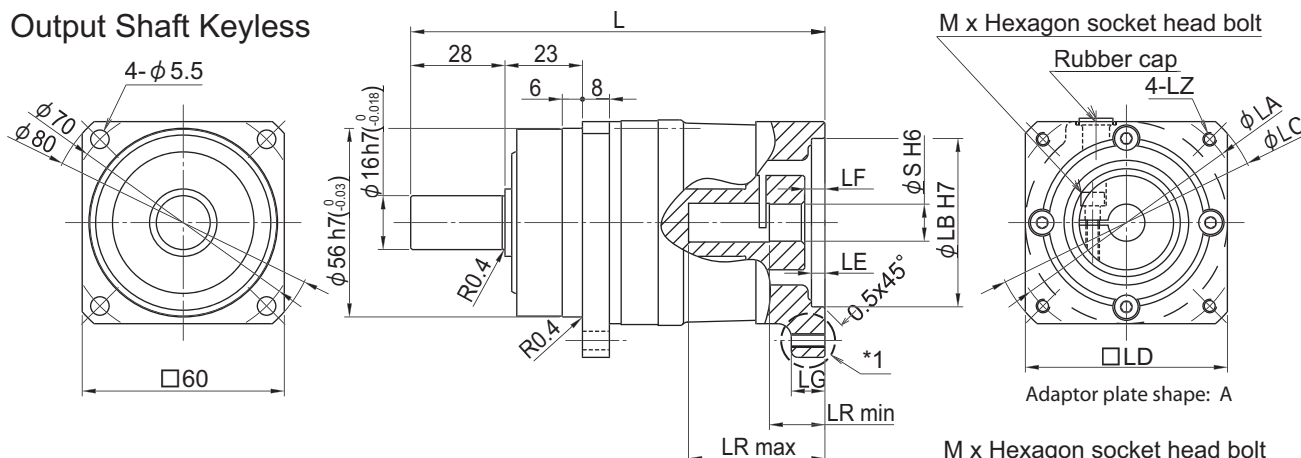
Note 1: Dimension of shaft end key: Dimension tolerance conforms to JIS B 1301-1996 "Parallel Key."
 Note 2: Dimensions and mass shown in the above figures are subject to change without prior notification.

Dimension Drawings

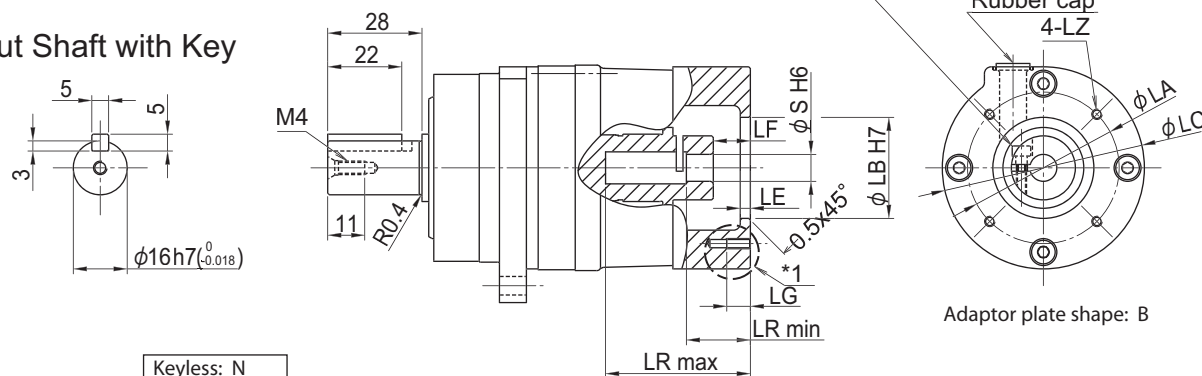
P1 Type

Frame Size: P110
Reduction Ratio: 1/21
Solid Shaft

Output Shaft Keyless



Output Shaft with Key



Nomenclature ANFX-P110

Keyless: N
With key: W

Output shaft type Motor flange code Backlash Reduction ratio (21)

3 min: L3
15 min: LD

Motor flange code	L	LA	LB	LC	LD	LE	LF	Dimension LG	*1	Adaptor plate shape	LZ	LR		S	M	Mass [kg]	Motor flange code
												max	min				
2C	125.5	45	30	60	-	5	11	7	Useful thread length	B	M3	43	19	8	M3	1.1	2C
7J		46	30	60	-	5	11	9	Useful thread length		M4	43	19	6	M3	1.1	7J
2D		46	30	60	-	5	11	9	Useful thread length		M4	43	19	8	M3	1.1	2D
2E	123	60	50	80	60	4	8.5	9	Useful thread length	A	M4	40.5	16.5	8	M3	1.1	2E
2K		60	50	80	60	4	6	9	Useful thread length		M4	40.5	16.5	11	M4	1.2	2K
2F		70	50	80	60	4	8.5	10	Through hole		M4	40.5	16.5	8	M3	1.1	2F
2L		70	50	80	60	4	6	10	Through hole		M4	40.5	16.5	11	M4	1.1	2L
2G		70	50	80	60	4	8.5	10	Through hole		M5	40.5	16.5	8	M3	1.1	2G
2H		70	50	80	60	4	6	10	Through hole		M5	40.5	16.5	9	M4	1.2	2H
2R		70	50	80	60	4	6	10	Through hole		M5	40.5	16.5	14	M4	1.1	2R
8A		124.5	90	70	105	80	6	7.5	12		Through hole	M5	42	18	11	M4	1.3
8B	90		70	105	80	6	7.5	12	Through hole	M5	42	18	14	M4	1.2	8B	
2T	90		70	105	80	6	7.5	12	Through hole	M6	42	18	14	M4	1.2	2T	

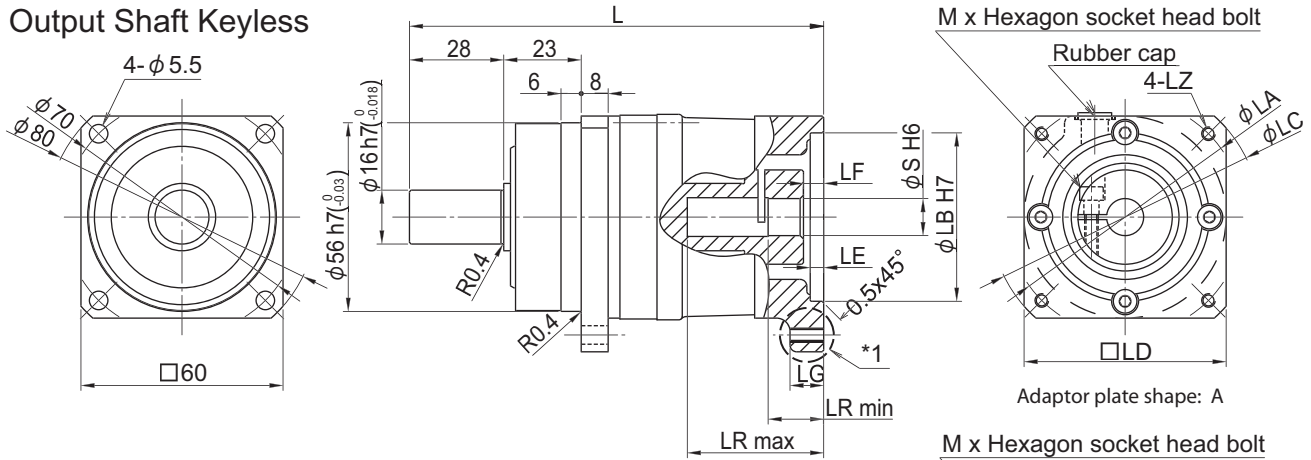
Note 1: Dimension of shaft end key: Dimension tolerance conforms to JIS B 1301-1996 "Parallel Key."

Note 2: Dimensions and mass shown in the above figures are subject to change without prior notification.

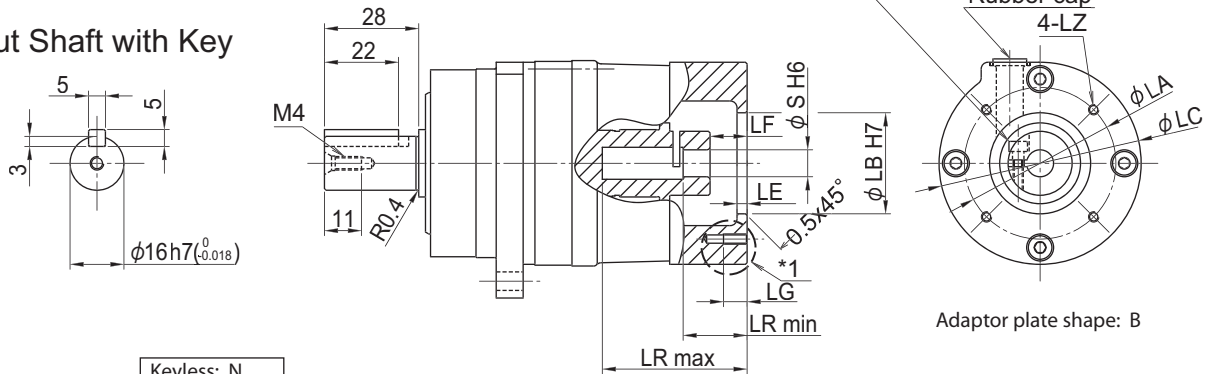
Dimension Drawings

Frame Size: P110
 Reduction Ratio: 1/33
 Solid Shaft

Output Shaft Keyless



Output Shaft with Key



Nomenclature ANFX-P110

Keyless: N
 With key: W

Output shaft type Motor flange code Backlash Reduction ratio (33)

3 min: L3
 15 min: LD

Motor flange code	L	LA	LB	LC	LD	LE	LF	Dimension LG	*1	Adaptor plate shape	LZ	LR		S	M	Mass [kg]	Motor flange code
												max	min				
2C	125.5	45	30	60	-	5	11	7	Useful thread length	B	M3	43	19	8	M3	1.2	2C
7J		46	30	60	-	5	11	9	Useful thread length		M4	43	19	6	M3	1.2	7J
2D		46	30	60	-	5	11	9	Useful thread length		M4	43	19	8	M3	1.2	2D
2E	123	60	50	80	60	4	8.5	9	Useful thread length	A	M4	40.5	16.5	8	M3	1.1	2E
2K		60	50	80	60	4	6	9	Useful thread length		M4	40.5	16.5	11	M4	1.3	2K
2F		70	50	80	60	4	8.5	10	Through hole		M4	40.5	16.5	8	M3	1.1	2F
2L		70	50	80	60	4	6	10	Through hole		M4	40.5	16.5	11	M4	1.2	2L
2G		70	50	80	60	4	8.5	10	Through hole		M5	40.5	16.5	8	M3	1.1	2G
2H		70	50	80	60	4	6	10	Through hole		M5	40.5	16.5	9	M4	1.2	2H
2R		70	50	80	60	4	6	10	Through hole		M5	40.5	16.5	14	M4	1.1	2R
8A	124.5	90	70	105	80	6	7.5	12	Through hole	A	M5	42	18	11	M4	1.4	8A
2T		90	70	105	80	6	7.5	12	Through hole		M6	42	18	14	M4	1.2	2T

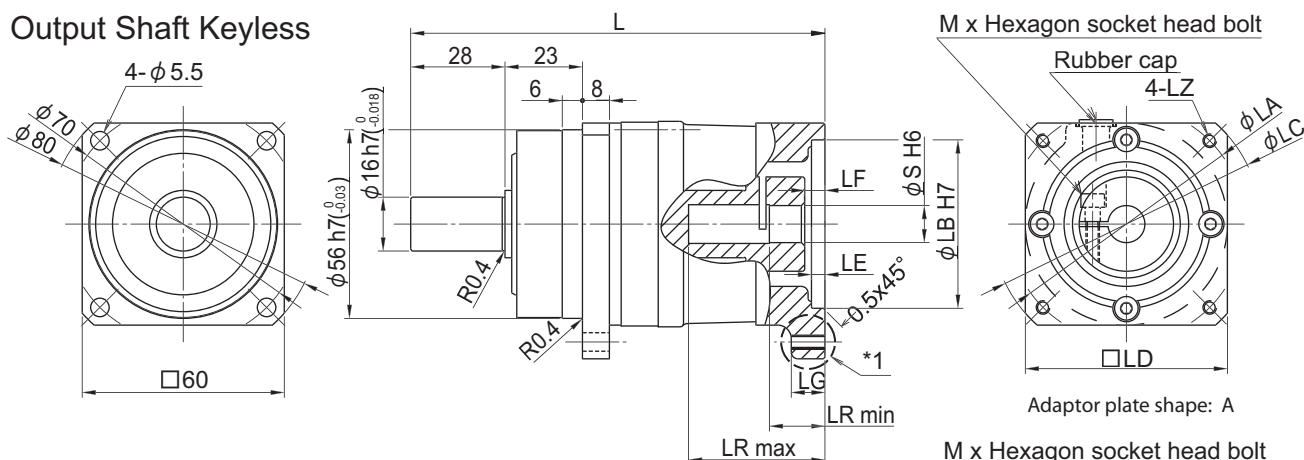
Note 1: Dimension of shaft end key: Dimension tolerance conforms to JIS B 1301-1996 "Parallel Key."
 Note 2: Dimensions and mass shown in the above figures are subject to change without prior notification.

Dimension Drawings

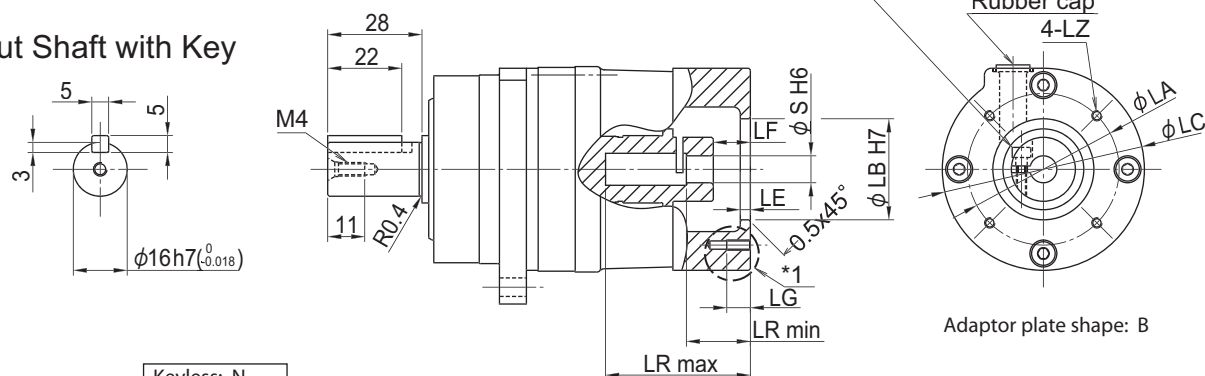
P1 Type

Frame Size: P110
Reduction Ratio: 1/45
Solid Shaft

Output Shaft Keyless



Output Shaft with Key



Nomenclature ANFX-P110

Keyless: N
With key: W

Output shaft type Motor flange code Backlash Reduction ratio (45)

3 min: L3
15 min: LD

Motor flange code	Dimension										Adaptor plate shape	LZ	LR		S	M	Mass [kg]	Motor flange code
	L	LA	LB	LC	LD	LE	LF	LG	*1	Shape			max	min				
2C	125.5	45	30	60	-	5	11	7	Useful thread length	B	M3	43	19	8	M3	1.2	2C	
7J		46	30	60	-	5	11	9	Useful thread length		M4	43	19	6	M3	1.2	7J	
2D		46	30	60	-	5	11	9	Useful thread length		M4	43	19	8	M3	1.2	2D	
2E	123	60	50	80	60	4	8.5	9	Useful thread length	A	M4	40.5	16.5	8	M3	1.1	2E	
2F		70	50	80	60	4	8.5	10	Through hole		M4	40.5	16.5	8	M3	1.1	2F	
2G		70	50	80	60	4	8.5	10	Through hole		M5	40.5	16.5	8	M3	1.1	2G	
2H		70	50	80	60	4	6	10	Through hole		M5	40.5	16.5	9	M4	1.2	2H	

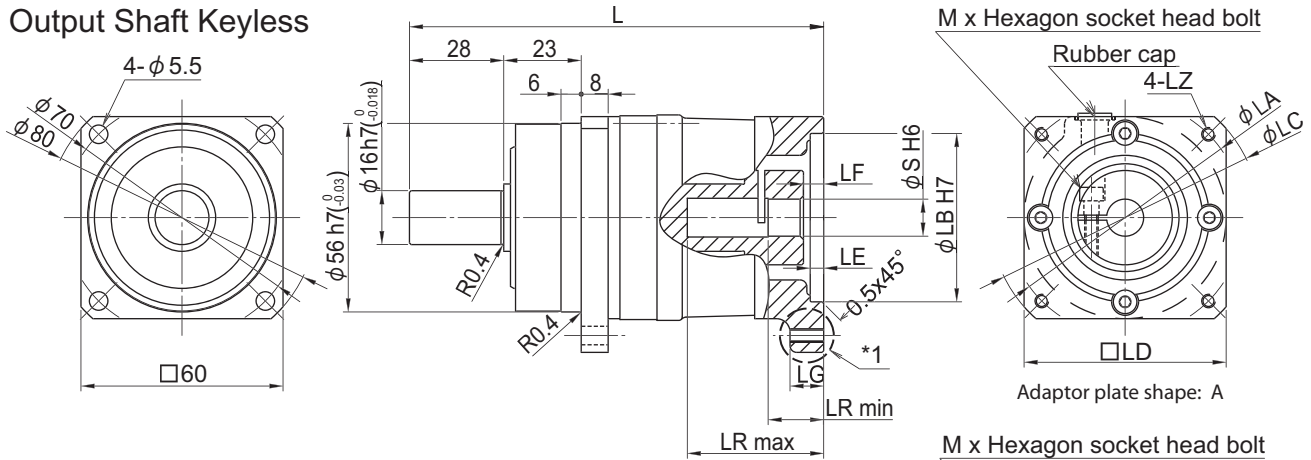
Note 1: Dimension of shaft end key: Dimension tolerance conforms to JIS B 1301-1996 "Parallel Key."

Note 2: Dimensions and mass shown in the above figures are subject to change without prior notification.

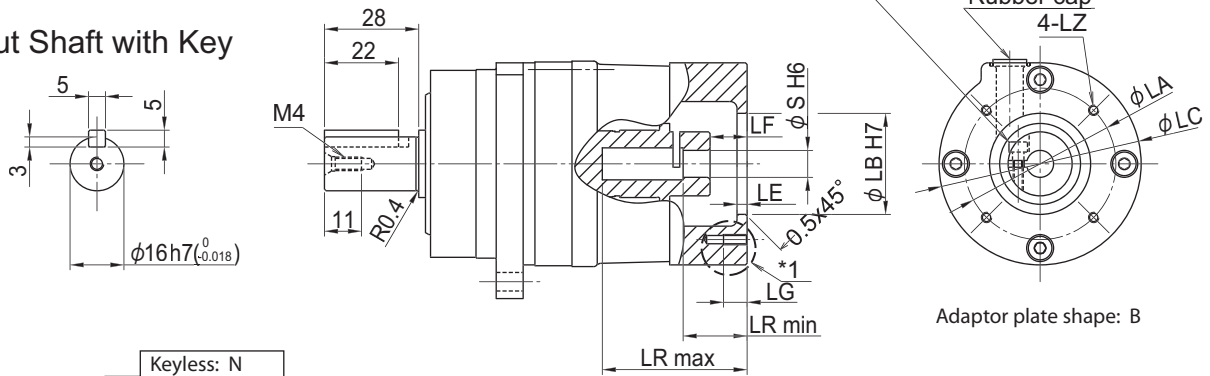
Dimension Drawings

Frame Size: P110
 Reduction Ratio: 1/81
 Solid Shaft

Output Shaft Keyless



Output Shaft with Key



Nomenclature ANFX-P110

Keyless: N
 With key: W

Output shaft type Motor flange code Backlash Reduction ratio (81)

3 min: L3
 15 min: LD

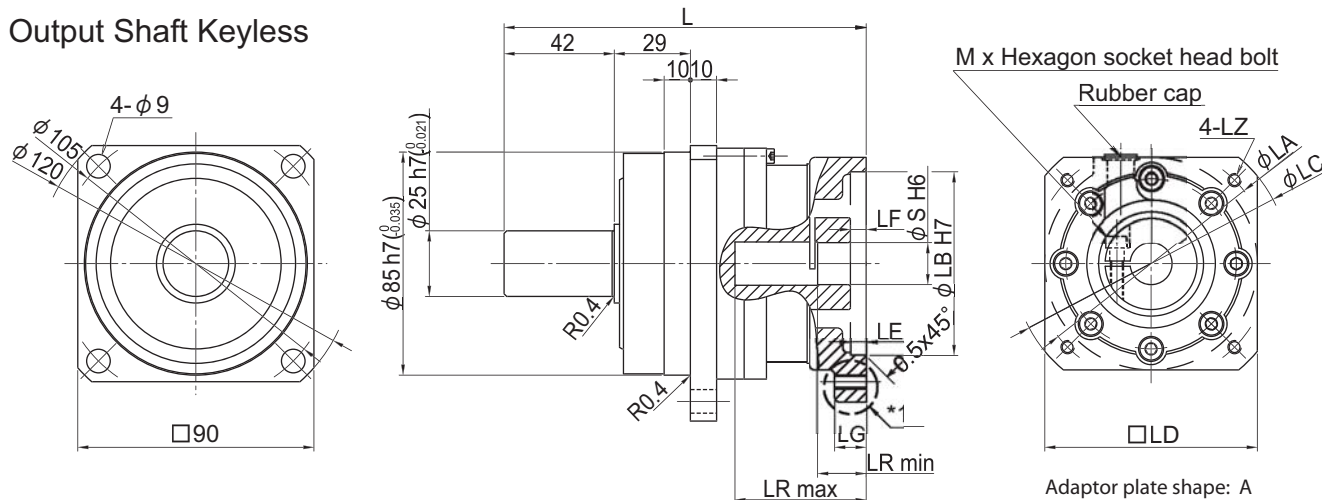
Motor flange code	L	LA	LB	LC	LD	LE	LF	Dimension LG	*1	Adaptor plate shape	LZ	LR		S	M	Mass [kg]	Motor flange code
												max	min				
2C	125.5	45	30	60	-	5	11	7	Useful thread length	B	M3	43	19	8	M3	1.1	2C
7J		46	30	60	-	5	11	9	Useful thread length		M4	43	19	6	M3	1.1	7J
2D		46	30	60	-	5	11	9	Useful thread length		M4	43	19	8	M3	1.1	2D
2E	123	60	50	80	60	4	8.5	9	Useful thread length	A	M4	40.5	16.5	8	M3	1.2	2E
2H		70	50	80	60	4	6	10	Through hole		M5	40.5	16.5	9	M4	1.2	2H

Note 1: Dimension of shaft end key: Dimension tolerance conforms to JIS B 1301-1996 "Parallel Key."
 Note 2: Dimensions and mass shown in the above figures are subject to change without prior notification.

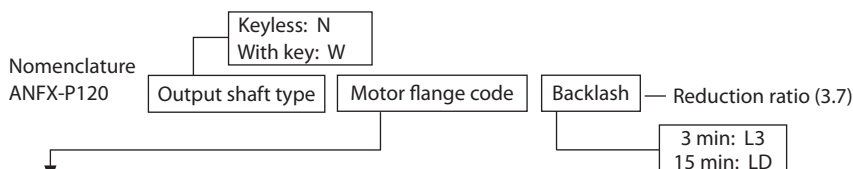
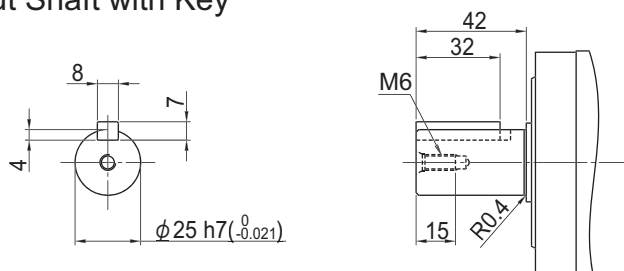
Dimension Drawings

Frame Size: P120
 Reduction Ratio: 1/3.7
 Solid Shaft

Output Shaft Keyless



Output Shaft with Key



Motor flange code	L	LA	LB	LC	LD	LE	LF	Dimension LG	*1 Adaptor plate shape	LZ	LR		S	M	Mass [kg]	Motor flange code
											max	min				
0U	138	90	70	105	81	6	6	12	Through hole	M5	50	18.5	16	M5	2.5	0U
7S		90	70	105	81	6	6	12	Through hole	M5	50	18.5	19	M5	2.4	7S
7P		90	70	105	81	6	6	12	Through hole	M6	50	18.5	16	M5	2.5	7P
1G		90	70	105	81	6	6	12	Through hole	M6	50	18.5	19	M5	2.4	1G
0V	151.5	100	80	120	90	5	21.5	12	Through hole	M6	63.5	32	14	M4	2.6	0V
8E		100	80	120	90	5	19.5	12	Through hole	M6	63.5	32	16	M5	2.6	8E
7V		100	80	120	90	5	19.5	12	Through hole	M6	63.5	32	19	M5	2.5	7V
1L	164.5	115	95	135	100	6	17	16	Through hole	M6	46	31.5	24	M6	2.9	1L
7A	151.5	115	95	135	100	6	19.5	16	Through hole	M8	63.5	32	16	M5	2.7	7A
7B		115	95	135	100	6	19.5	16	Through hole	M8	63.5	32	19	M5	2.6	7B
0W	164.5	115	95	135	100	6	17	16	Through hole	M8	46	31.5	22	M6	3.0	0W
7Y		115	95	135	100	6	17	16	Through hole	M8	46	31.5	24	M6	2.9	7Y
0Y		135	110	165	120	7	17	16	Through hole	M8	46	31.5	22	M6	3.1	0Y
7R	154.5	145	110	165	120	7	22.5	16	Through hole	M8	66.5	35	16	M5	2.8	7R
7X		145	110	165	120	7	22.5	16	Through hole	M8	66.5	35	19	M5	2.7	7X
1S	189.5	145	110	165	120	7	42	16	Through hole	M8	71	55	22	M6	3.2	1S
7Z		145	110	165	120	7	42	16	Through hole	M8	71	55	24	M6	3.2	7Z

Note 1: Dimension of shaft end key: Dimension tolerance conforms to JIS B 1301-1996 "Parallel Key."

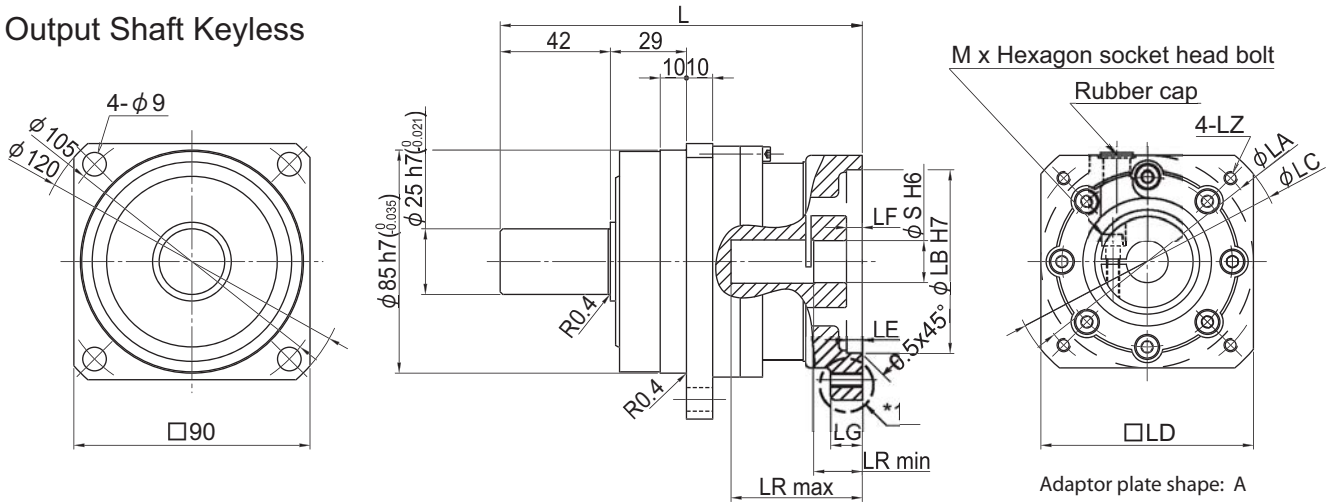
Note 2: Dimensions and mass shown in the above figures are subject to change without prior notification.

P1 Type

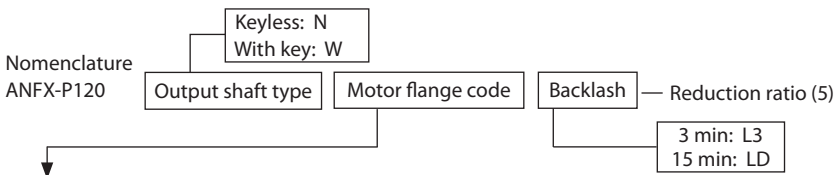
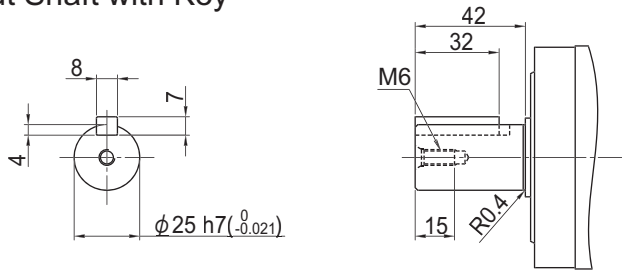
Dimension Drawings

Frame Size: P120
 Reduction Ratio: 1/5
 Solid Shaft

Output Shaft Keyless



Output Shaft with Key



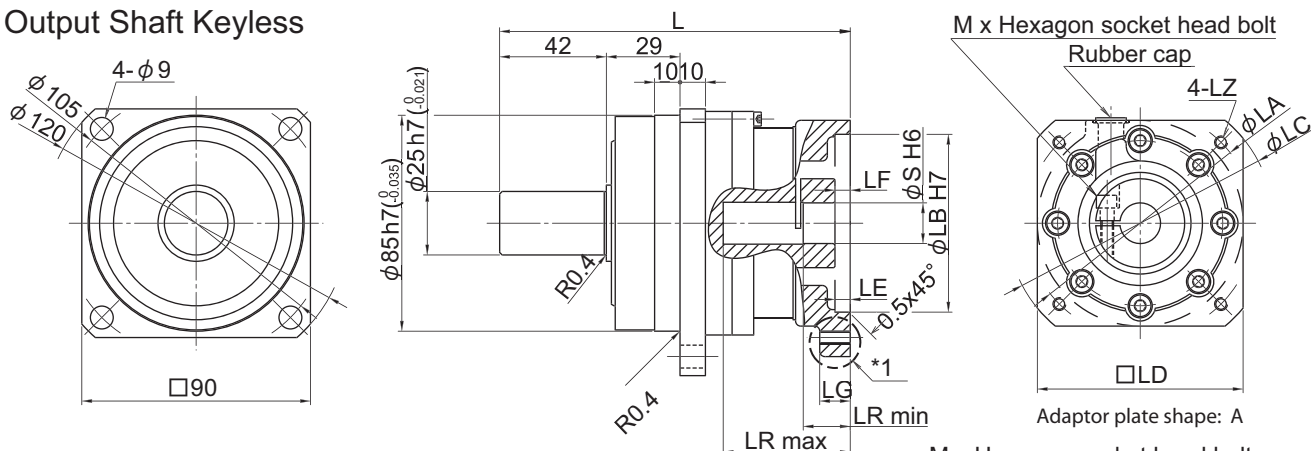
Motor flange code	L	LA	LB	LC	LD	LE	LF	Dimension LG	*1	Adaptor plate shape	LZ	LR		S	M	Mass [kg]	Motor flange code
												max	min				
0U	138	90	70	105	81	6	6	12	Through hole	A	M5	50	18.5	16	M5	2.5	0U
7S		90	70	105	81	6	6	12			M5	50	18.5	19	M5	2.4	7S
7P		90	70	105	81	6	6	12			M6	50	18.5	16	M5	2.5	7P
1G		90	70	105	81	6	6	12			M6	50	18.5	19	M5	2.4	1G
0V ^{Note2}	151.5	100	80	120	90	5	19.5	12	Through hole	A	M6	63.5	30	14	M4	2.6	0V ^{Note2}
8E		100	80	120	90	5	19.5	12			M6	63.5	32	16	M5	2.6	8E
7V		100	80	120	90	5	19.5	12			M6	63.5	32	19	M5	2.5	7V
1L	164.5	115	95	135	100	6	17	16	Through hole	A	M6	46	31.5	24	M6	2.9	1L
7A	151.5	115	95	135	100	6	19.5	16	Through hole	A	M8	63.5	32	16	M5	2.7	7A
7B		115	95	135	100	6	19.5	16	Through hole		M8	63.5	32	19	M5	2.6	7B
0W	164.5	115	95	135	100	6	17	16	Through hole	A	M8	46	31.5	22	M6	3.0	0W
7Y		115	95	135	100	6	17	16	Through hole		M8	46	31.5	24	M6	2.9	7Y
0Y	154.5	135	110	165	120	7	17	16	Through hole	A	M8	46	31.5	22	M6	3.1	0Y
7R		145	110	165	120	7	22.5	16	Through hole		M8	66.5	35	16	M5	2.8	7R
7X		145	110	165	120	7	22.5	16	Through hole		M8	66.5	35	19	M5	2.7	7X
1S	189.5	145	110	165	120	7	42	16	Through hole	A	M8	71	55	22	M6	3.2	1S
7Z		145	110	165	120	7	42	16	Through hole		M8	71	55	24	M6	3.2	7Z

Note 1: Dimension of shaft end key: Dimension tolerance conforms to JIS B 1301-1996 "Parallel Key."
 Note 2: Dimension of coupling of motor flange code (0V) includes tolerance (+0.012 ~ +0.023)
 Note 3: Dimensions and mass shown in the above figures are subject to change without prior notification.

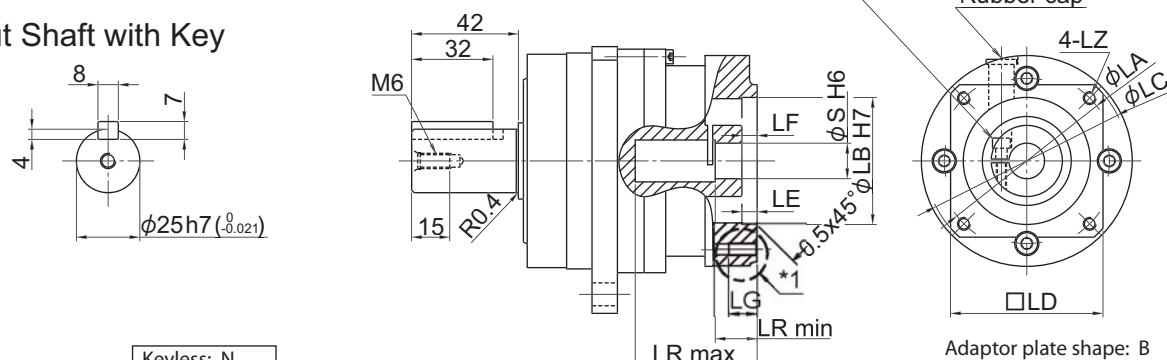
Dimension Drawings

Frame Size: P120
Reduction Ratio: 1/9
Solid Shaft

Output Shaft Keyless



Output Shaft with Key



Nomenclature ANFX-P120

Keyless: N
With key: W

Output shaft type Motor flange code Backlash Reduction ratio (9)

3 min: L3
15 min: LD

Motor flange code	L	LA	LB	LC	LD	LE	LF	LG	*1 Adaptor plate shape	LZ	LR		S	M	Mass [kg]	Motor flange code	
											max	min					
2R	136	70	50	80	60	6	6	11	Useful thread length	B	M5	48	16.5	14	M4	2.5	2R
0U	138	90	70	105	81	6	6	12	Through hole	A	M5	50	18.5	16	M5	2.5	0U
7S		90	70	105	81	6	6	12	Through hole		M5	50	18.5	19	M5	2.4	7S
7P		90	70	105	81	6	6	12	Through hole		M6	50	18.5	16	M5	2.5	7P
1G		90	70	105	81	6	6	12	Through hole		M6	50	18.5	19	M5	2.4	1G
2J		100	80	120	90	5	21.5	12	Through hole		M6	63.5	32	10	M4	2.6	2J
0V ^{Notes}	151.5	100	80	120	90	5	19.5	12	Through hole	M6	63.5	30	14	M4	2.4	0V ^{Notes}	
8E		100	80	120	90	5	19.5	12	Through hole	M6	63.5	32	16	M5	2.6	8E	
7V		100	80	120	90	5	19.5	12	Through hole	M6	63.5	32	19	M5	2.5	7V	
1L	164.5	115	95	135	100	6	17	16	Through hole	M6	46	31.5	24	M6	2.9	1L	
7A	151.5	115	95	135	100	6	19.5	16	Through hole	M8	63.5	32	16	M5	2.7	7A	
7B		115	95	135	100	6	19.5	16	Through hole	M8	63.5	32	19	M5	2.6	7B	
0W	164.5	115	95	135	100	6	17	16	Through hole	M8	46	31.5	22	M6	3.0	0W	
7Y		115	95	135	100	6	17	16	Through hole	M8	46	31.5	24	M6	2.9	7Y	
0Y		135	110	165	120	7	17	16	Through hole	M8	46	31.5	22	M6	3.1	0Y	
7R	154.5	145	110	165	120	7	22.5	16	Through hole	M8	66.5	35	16	M5	2.8	7R	
7X		145	110	165	120	7	22.5	16	Through hole	M8	66.5	35	19	M5	2.8	7X	
1S	189.5	145	110	165	120	7	42	16	Through hole	M8	71	55	22	M6	3.3	1S	
7Z		145	110	165	120	7	42	16	Through hole	M8	71	55	24	M6	3.2	7Z	

Note 1: Dimension of shaft end key: Dimension tolerance conforms to JIS B 1301-1996 "Parallel Key."

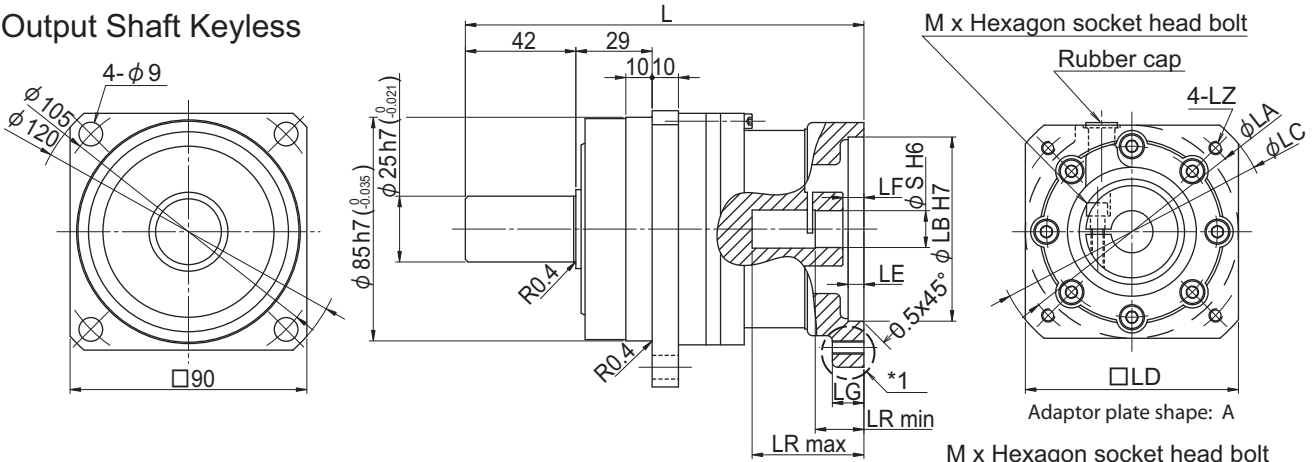
Note 2: Dimension of coupling of motor flange code (0V) includes tolerance (+0.012 ~ +0.023)

Note 3: Dimensions and mass shown in the above figures are subject to change without prior notification.

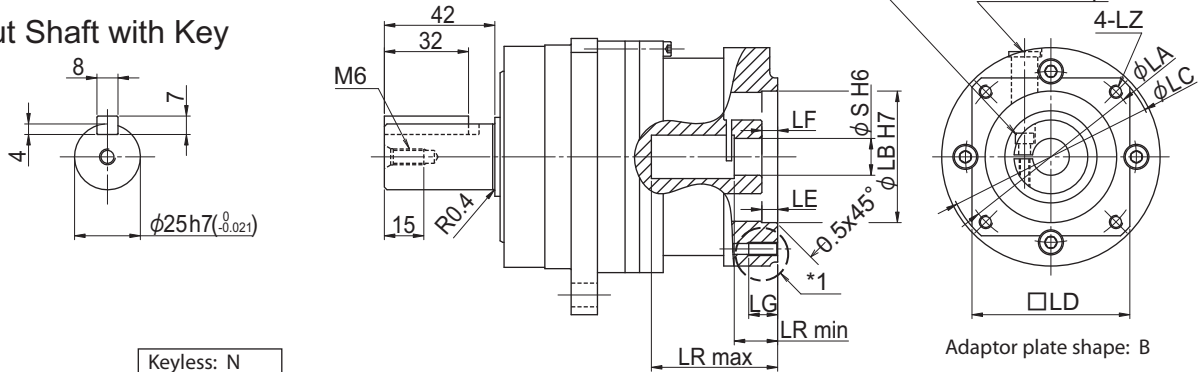
Dimension Drawings

Frame Size: P120
 Reduction Ratio: 1/11
 Solid Shaft

Output Shaft Keyless



Output Shaft with Key



Nomenclature ANFX-P120

Keyless: N
 With key: W

Output shaft type Motor flange code Backlash Reduction ratio (11)

3 min: L3
 15 min: LD

Motor flange code	L	LA	LB	LC	LD	LE	LF	LG	*1	Adaptor plate shape	Dimension				Mass [kg]	Motor flange code	
											LZ	LR max	LR min	S			M
2P	149.5	70	50	80	60	6	6	9	Useful thread length	B	M4	40.5	16.5	14	M4	2.8	2P
2R		70	50	80	60	6	6	11	Useful thread length		M5	40.5	16.5	14	M4	2.8	2R
8B	151.5	90	70	105	81	6	8	12	Through hole	A	M5	42.5	18.5	14	M4	2.8	8B
0U		90	70	105	81	6	6	12	Through hole		M5	42.5	18.5	16	M5	2.9	0U
7S		90	70	105	81	6	6	12	Through hole		M5	42.5	18.5	19	M5	2.9	7S
2T		90	70	105	81	6	8	12	Through hole		M6	42.5	18.5	14	M4	2.8	2T
7P		90	70	105	81	6	6	12	Through hole		M6	42.5	18.5	16	M5	2.9	7P
1G		90	70	105	81	6	6	12	Through hole		M6	42.5	18.5	19	M5	2.9	1G
2J		100	80	120	90	5	21.5	12	Through hole		M6	56	32	10	M4	3.0	2J
0V ^{Note3}	165	100	80	120	90	5	19.5	12	Through hole	A	M6	56	30	14	M4	2.9	0V ^{Note3}
8E		100	80	120	90	5	19.5	12	Through hole		M6	56	32	16	M5	3.0	8E
7V		100	80	120	90	5	19.5	12	Through hole		M6	56	32	19	M5	3.0	7V
1L	178	115	95	135	100	6	17	16	Through hole	A	M6	46	31.5	24	M6	3.4	1L
7A	165	115	95	135	100	6	19.5	16	Through hole		M8	56	32	16	M5	3.1	7A
0W	115	95	135	100	6	17	16	Through hole	M8		46	31.5	22	M6	3.7	0W	
7Y	178	115	95	135	100	6	17	16	Through hole		M8	46	31.5	24	M6	3.4	7Y
0Y	135	110	165	120	7	17	16	Through hole	M8		46	31.5	22	M6	3.6	0Y	
7R	168	145	110	165	120	7	22.5	16	Through hole		M8	59	35	16	M5	3.2	7R
7X		145	110	165	120	7	22.5	16	Through hole		M8	59	35	19	M5	3.2	7X
7Z	203	145	110	165	120	7	42	16	Through hole		M8	71	56.5	24	M6	3.7	7Z

Note 1: Dimension of shaft end key: Dimension tolerance conforms to JIS B 1301-1996 "Parallel Key."

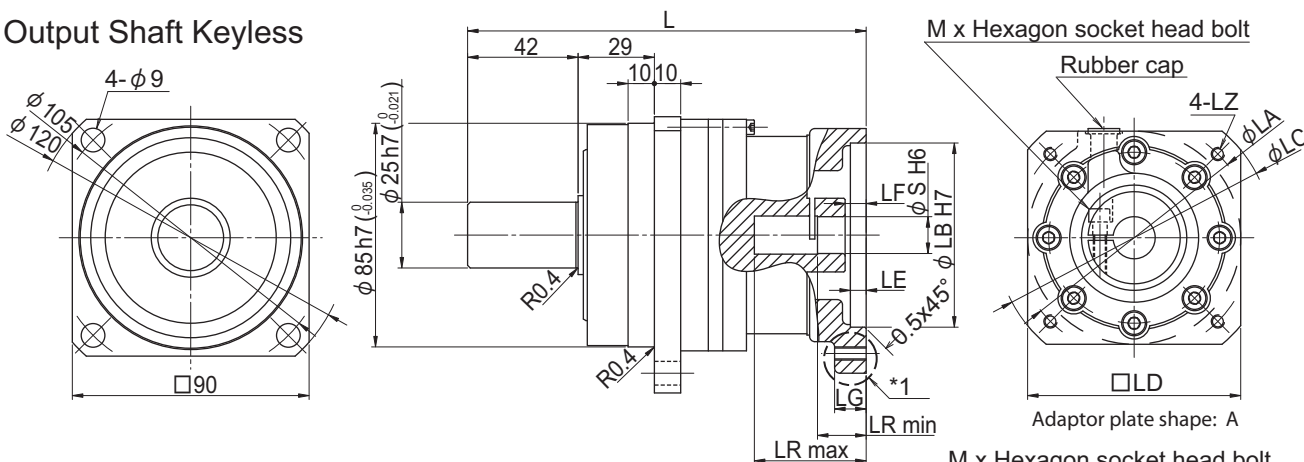
Note 2: Dimension of coupling of motor flange code (0V) includes tolerance (+0.012 ~ +0.023)

Note 3: Dimensions and mass shown in the above figures are subject to change without prior notification.

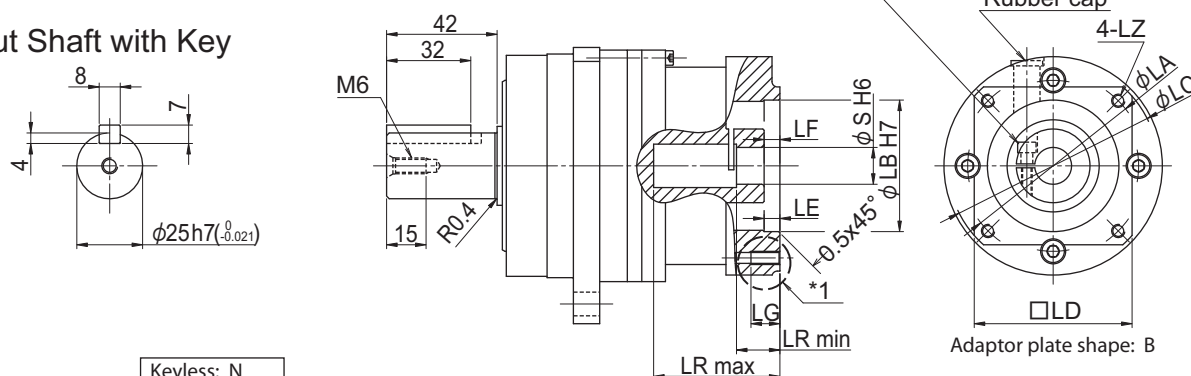
Dimension Drawings

Frame Size: P120
Reduction Ratio: 1/15
Solid Shaft

Output Shaft Keyless



Output Shaft with Key



Nomenclature ANFX-P120

Keyless: N
With key: W

Output shaft type Motor flange code Backlash Reduction ratio (15)

3 min: L3
15 min: LD

Motor flange code	L	LA	LB	LC	LD	LE	LF	Dimension LG	*1	Adaptor plate shape	LZ	LR		S	M	Mass [kg]	Motor flange code
												max	min				
2P	149.5	70	50	80	60	6	6	9	Useful thread length	B	M4	40.5	16.5	14	M4	2.8	2P
2R		70	50	80	60	6	6	11	Useful thread length		M5	40.5	16.5	14	M4	2.8	2R
8B		90	70	105	81	6	8	12	Through hole		M5	42.5	18.5	14	M4	2.8	8B
0U		90	70	105	81	6	6	12	Through hole		M5	42.5	18.5	16	M5	2.9	0U
7S		90	70	105	81	6	6	12	Through hole		M5	42.5	18.5	19	M5	2.9	7S
2T		90	70	105	81	6	8	12	Through hole		M6	42.5	18.5	14	M4	2.8	2T
7P		90	70	105	81	6	6	12	Through hole		M6	42.5	18.5	16	M5	2.9	7P
1G		90	70	105	81	6	6	12	Through hole		M6	42.5	18.5	19	M5	2.9	1G
2J	165	100	80	120	90	5	21.5	12	Through hole	A	M6	56	32	10	M4	3.0	2J
0V ^{Note3}		100	80	120	90	5	19.5	12	Through hole		M6	56	30	14	M4	2.9	0V ^{Note3}
8E		100	80	120	90	5	19.5	12	Through hole		M6	56	32	16	M5	3.0	8E
7V		100	80	120	90	5	19.5	12	Through hole		M6	56	32	19	M5	3.0	7V
1L	178	115	95	135	100	6	17	16	Through hole	A	M6	46	31.5	24	M6	3.4	1L
7A	165	115	95	135	100	6	19.5	16	Through hole		M8	56	32	16	M5	3.1	7A
0W	115	95	135	100	6	17	16	Through hole	M8		46	31.5	22	M6	3.7	0W	
7Y	178	115	95	135	100	6	17	16	Through hole		M8	46	31.5	24	M6	3.4	7Y
0Y	135	110	165	120	7	17	16	Through hole	M8		46	31.5	22	M6	3.6	0Y	
7R	168	145	110	165	120	7	22.5	16	Through hole		M8	59	35	16	M5	3.2	7R
7X		145	110	165	120	7	22.5	16	Through hole		M8	59	35	19	M5	3.2	7X
7Z		145	110	165	120	7	42	16	Through hole		M8	71	56.5	24	M6	3.7	7Z
		145	110	165	120	7	42	16	Through hole								

Note 1: Dimension of shaft end key: Dimension tolerance conforms to JIS B 1301-1996 "Parallel Key."

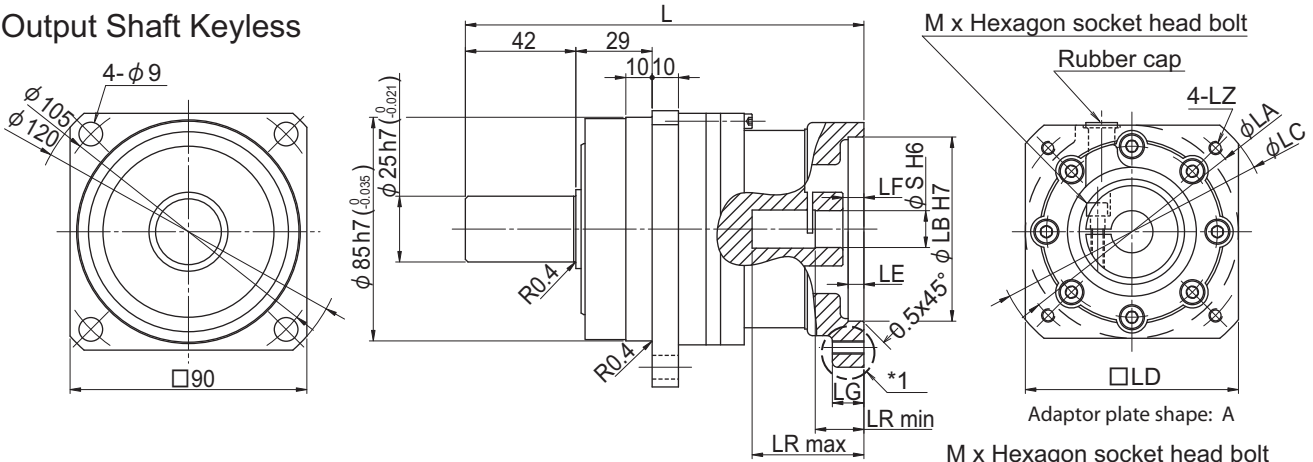
Note 2: Dimension of coupling of motor flange code (0V) includes tolerance (+0.012 ~ +0.023)

Note 3: Dimensions and mass shown in the above figures are subject to change without prior notification.

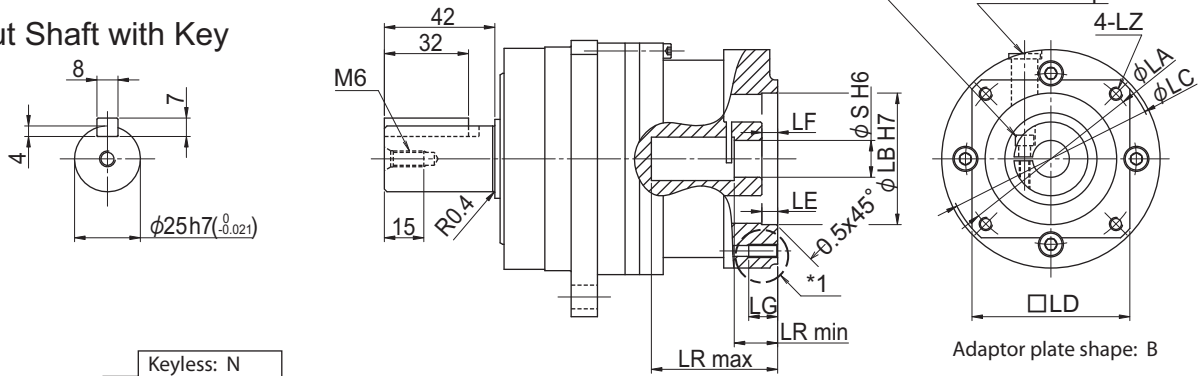
Dimension Drawings

Frame Size: P120
 Reduction Ratio: 1/21
 Solid Shaft

Output Shaft Keyless



Output Shaft with Key



Nomenclature ANFX-P120

Keyless: N
 With key: W

Output shaft type Motor flange code Backlash Reduction ratio (21)

3 min: L3
 15 min: LD

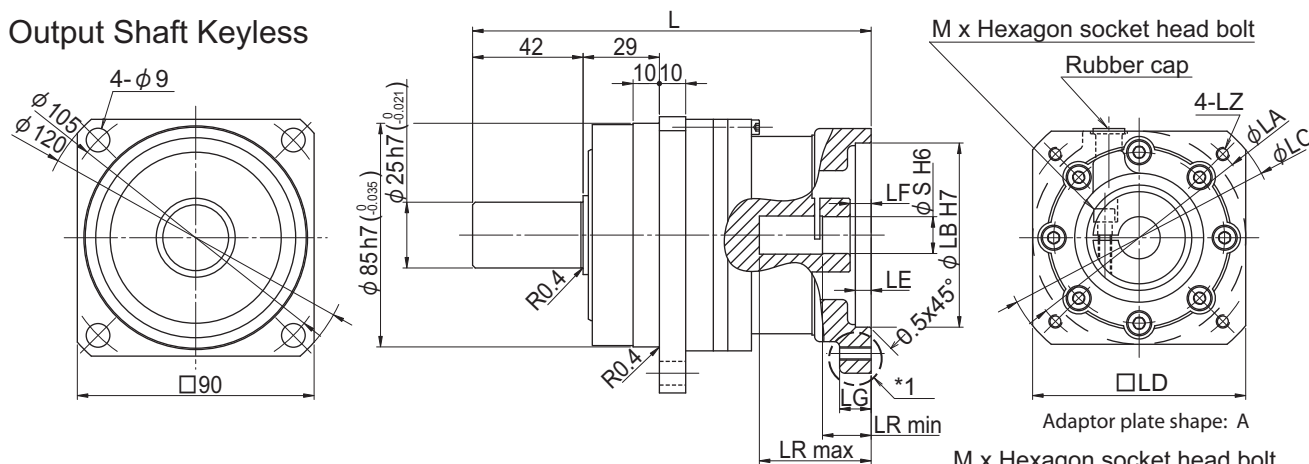
Motor flange code	L	LA	LB	LC	LD	LE	LF	Dimension LG	*1	Adaptor plate shape	LR		S	M	Mass [kg]	Motor flange code	
											max	min					
2P	149.5	70	50	80	60	6	6	9	Useful thread length	B	M4	40.5	16.5	14	M4	2.8	2P
2H		70	50	80	60	6	6	11	Useful thread length		M5	40.5	16.5	9	M4	2.8	2H
2R		70	50	80	60	6	6	11	Useful thread length		M5	40.5	16.5	14	M4	2.8	2R
8B	151.5	90	70	105	81	6	8	12	Through hole	A	M5	42.5	18.5	14	M4	2.8	8B
0U		90	70	105	81	6	6	12	Through hole		M5	42.5	18.5	16	M5	2.9	0U
7S		90	70	105	81	6	6	12	Through hole		M5	42.5	18.5	19	M5	2.9	7S
2T		90	70	105	81	6	8	12	Through hole		M6	42.5	18.5	14	M4	2.8	2T
7P		90	70	105	81	6	6	12	Through hole		M6	42.5	18.5	16	M5	2.9	7P
1G		90	70	105	81	6	6	12	Through hole		M6	42.5	18.5	19	M5	2.9	1G
2J		100	80	120	90	5	21.5	12	Through hole		M6	56	32	10	M4	3.0	2J
0V ^{Note2}	165	100	80	120	90	5	19.5	12	Through hole	A	M6	56	30	14	M4	3.0	0V ^{Note3}
8E		100	80	120	90	5	19.5	12	Through hole		M6	56	32	16	M5	3.0	8E
7A		115	95	135	100	6	19.5	16	Through hole		M8	56	32	16	M5	3.1	7A
7R	168	145	110	165	120	7	22.5	16	Through hole	A	M8	59	35	16	M5	3.2	7R
7X		145	110	165	120	7	22.5	16	Through hole		M8	59	35	19	M5	3.2	7X
7Z		145	110	165	120	7	42	16	Through hole		M8	71	56.5	24	M6	3.7	7Z

Note 1: Dimension of shaft end key: Dimension tolerance conforms to JIS B 1301-1996 "Parallel Key."
 Note 2: Dimension of coupling of motor flange code (0V) includes tolerance (+0.012 ~ +0.023)
 Note 3: Dimensions and mass shown in the above figures are subject to change without prior notification.

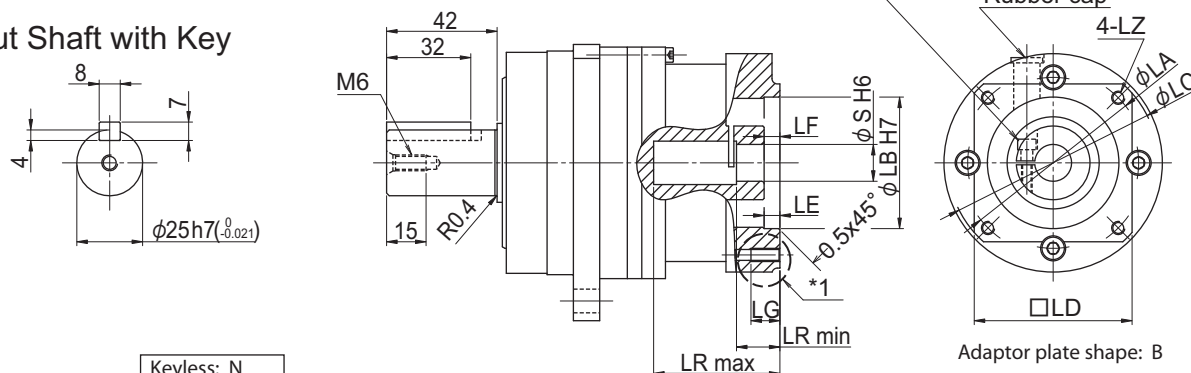
Dimension Drawings

Frame Size: P120
 Reduction Ratio: 1/33
 Solid Shaft

Output Shaft Keyless



Output Shaft with Key



Nomenclature ANFX-P120

Keyless: N
 With key: W

Output shaft type Motor flange code Backlash Reduction ratio (33)

3 min: L3
 15 min: LD

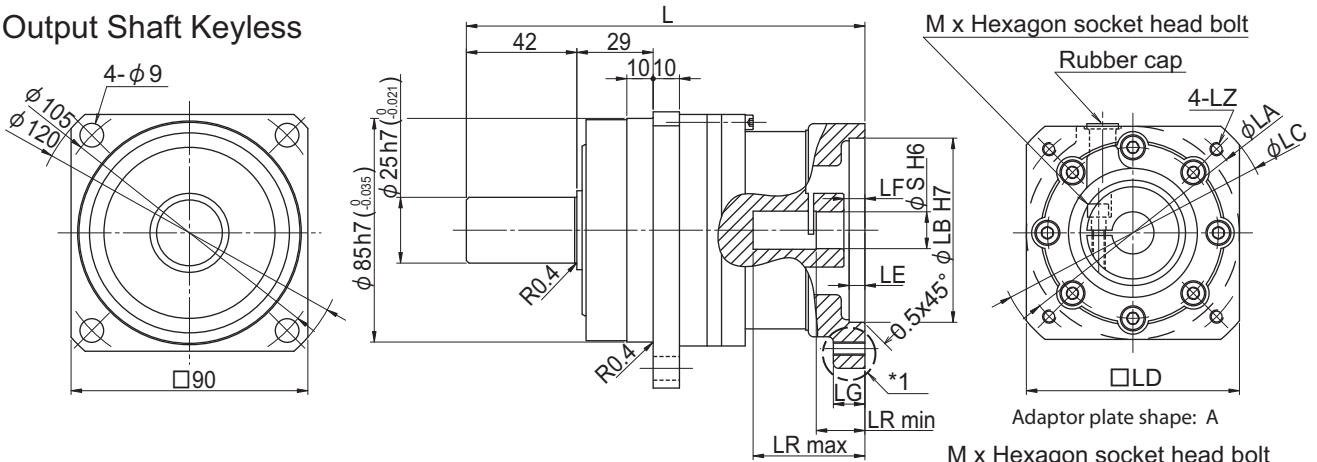
Motor flange code	L	LA	LB	LC	LD	LE	LF	Dimension LG	*1	Adaptor plate shape	LZ	LR		S	M	Mass [kg]	Motor flange code
												max	min				
2P	149.5	70	50	80	60	6	6	9	Useful thread length	B	M4	40.5	16.5	14	M4	2.9	2P
2R												40.5	16.5				
8B	151.5	90	70	105	81	6	8	12	Through hole	A	M5	42.5	18.5	14	M4	2.9	8B
2T												42.5	18.5				
2J												56	32				

Note 1: Dimension of shaft end key: Dimension tolerance conforms to JIS B 1301-1996 "Parallel Key."
 Note 2: Dimensions and mass shown in the above figures are subject to change without prior notification.

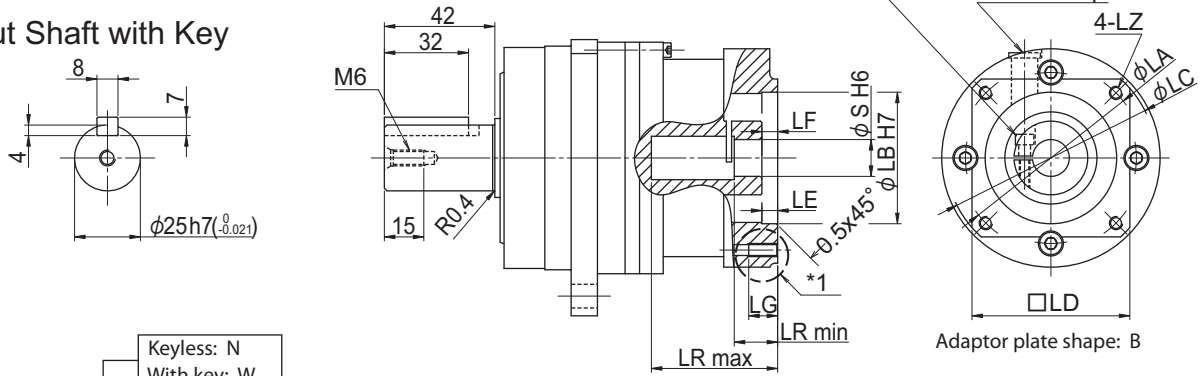
Dimension Drawings

Frame Size: P120
 Reduction Ratio: 1/45
 Solid Shaft

Output Shaft Keyless



Output Shaft with Key



Nomenclature ANFX-P120

Keyless: N
 With key: W

Output shaft type Motor flange code Backlash Reduction ratio (45)

3 min: L3
 15 min: LD

Motor flange code	L	LA	LB	LC	LD	LE	LF	Dimension LG	*1	Adaptor plate shape	LZ	LR		S	M	Mass [kg]	Motor flange code
												max	min				
2K	149.5	60	50	80	60	6	6	9	Useful thread length	B	M4	40.5	16.5	11	M4	2.9	2K
2L		70	50	80	60	6	6	9	Useful thread length		M4	40.5	16.5	11	M4	2.9	2L
2P		70	50	80	60	6	6	9	Useful thread length		M4	40.5	16.5	14	M4	2.9	2P
2H		70	50	80	60	6	6	11	Useful thread length		M5	40.5	16.5	9	M4	2.9	2H
2R		70	50	80	60	6	6	11	Useful thread length		M5	40.5	16.5	14	M4	2.9	2R
8A	151.5	90	70	105	81	6	8	12	Through hole	A	M5	42.5	18.5	11	M4	2.9	8A
8B		90	70	105	81	6	8	12	Through hole		M5	42.5	18.5	14	M4	2.9	8B
2T		90	70	105	81	6	8	12	Through hole		M6	42.5	18.5	14	M4	2.9	2T
2J	165	100	80	120	90	5	21.5	12	Through hole		M6	56	32	10	M4	3.0	2J

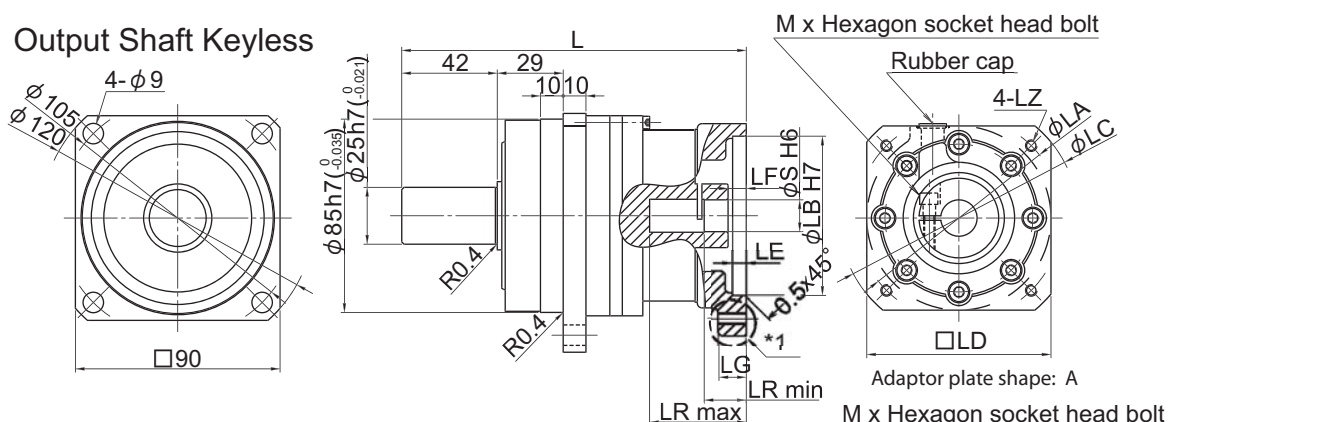
Note 1: Dimension of shaft end key: Dimension tolerance conforms to JIS B 1301-1996 "Parallel Key."
 Note 2: Dimensions and mass shown in the above figures are subject to change without prior notification.

Dimension Drawings

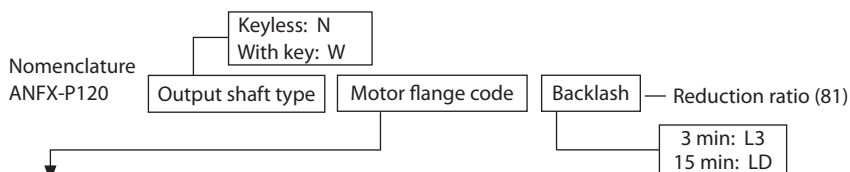
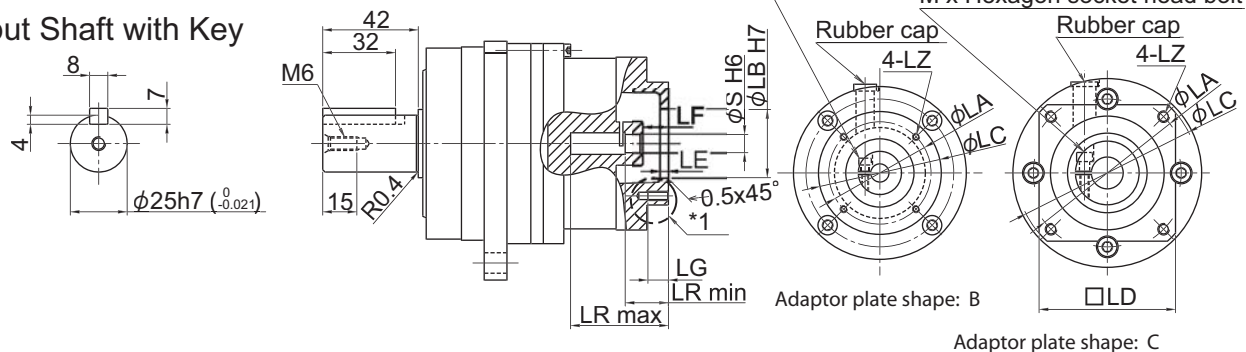
P1 Type

Frame Size: P120
 Reduction Ratio: 1/81
 Solid Shaft

Output Shaft Keyless



Output Shaft with Key



Motor flange code	L	LA	LB	LC	LD	LE	LF	Dimension LG	*1	Adaptor plate shape	LZ	LR		S	M	Mass [kg]	Motor flange code
												max	min				
2C	152	45	30	54	-	4	11	7	Useful thread length	B	M3	43	19	8	M3	2.8	2C
2D		46	30	54	-	4	11	9	Useful thread length		M4	43	19	8	M3	2.8	2D
2E	149.5	60	50	80	60	6	8.5	9	Useful thread length	C	M4	40.5	16.5	8	M3	2.9	2E
2K		60	50	80	60	6	6	9	Useful thread length		M4	40.5	16.5	11	M4	2.9	2K
2F		70	50	80	60	6	8.5	9	Useful thread length		M4	40.5	16.5	8	M3	2.9	2F
2G		70	50	80	60	6	8.5	11	Useful thread length		M5	40.5	16.5	8	M3	2.9	2G
2H		70	50	80	60	6	6	11	Useful thread length		M5	40.5	16.5	9	M4	2.9	2H
2R		70	50	80	60	6	6	11	Useful thread length		M5	40.5	16.5	14	M4	2.9	2R
2T	151.5	90	70	105	81	6	8	12	Through hole	A	M6	42.5	18.5	14	M4	2.9	2T

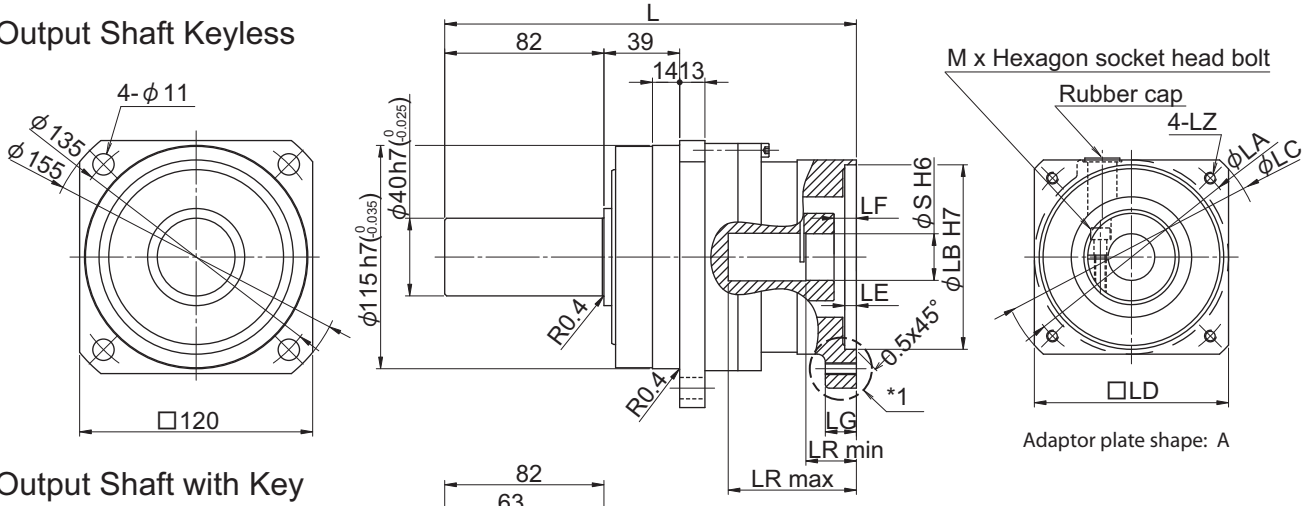
Note 1: Dimension of shaft end key: Dimension tolerance conforms to JIS B 1301-1996 "Parallel Key."

Note 2: Dimensions and mass shown in the above figures are subject to change without prior notification.

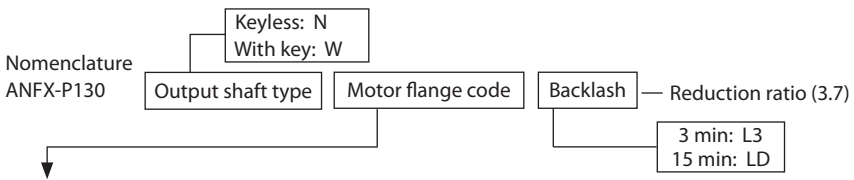
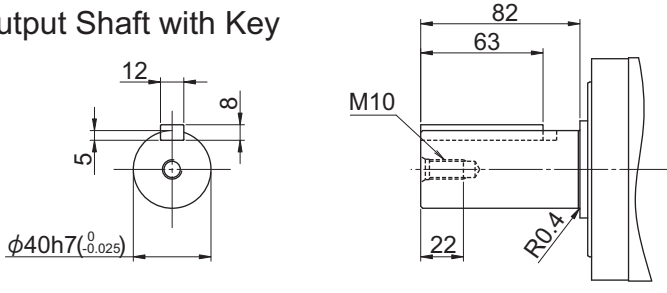
Dimension Drawings

Frame Size: P130
 Reduction Ratio: 1/3.7
 Flange Shaft

Output Shaft Keyless



Output Shaft with Key



Motor flange code	L	LA	LB	LC	LD	LE	LF	LG	*1 Shape	Adaptor plate shape	LZ	LR		S	M	Mass [kg]	Motor flange code
												max	min				
1S	220	145	110	165	120	7	19.5	16	Through hole	A	M8	74	34	22	M6	6.9	1S
7Z		145	110	165	120	7	19.5	16	Through hole		M8	74	34	24	M6	6.8	7Z
1T		145	110	165	120	7	19.5	16	Through hole		M8	74	34	28	M6	6.7	1T
0X ^{Note3}	265.5	200	114.3	230	180	6	41.5	24	Through hole		M12	81	60	35	M8	8.4	0X ^{Note3}

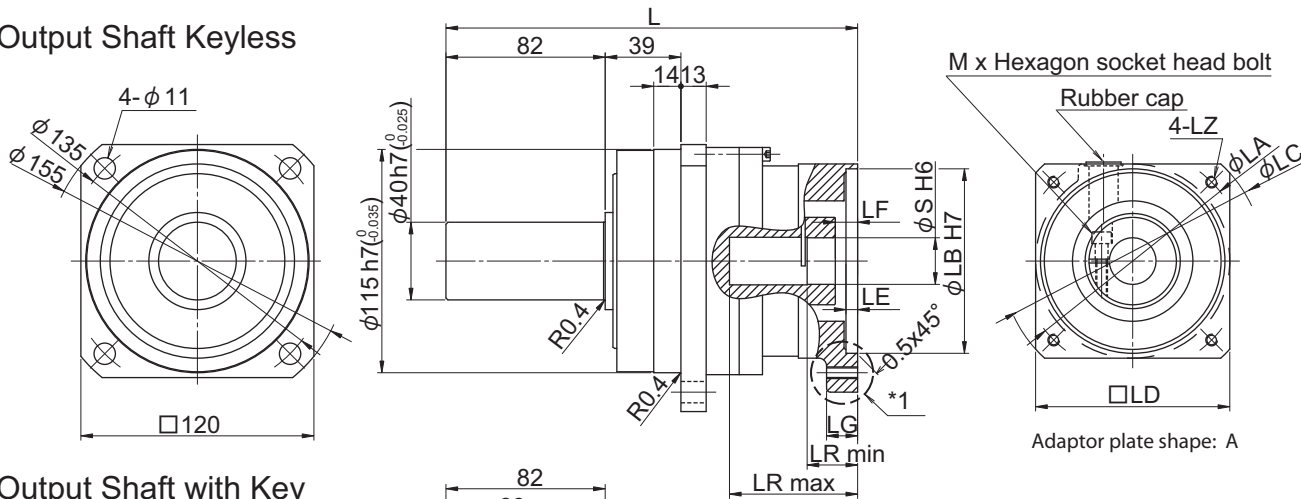
Note 1: Dimension of shaft end key: Dimension tolerance conforms to JIS B 1301-1996 "Parallel Key."
 Note 2: Dimension of coupling of motor flange code (0V) includes tolerance (+0.010 ~ +0.026)
 Note 3: Dimensions and mass shown in the above figures are subject to change without prior notification.

Dimension Drawings

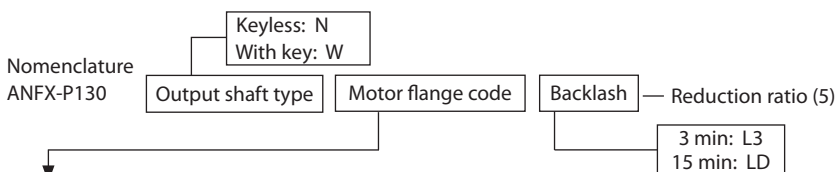
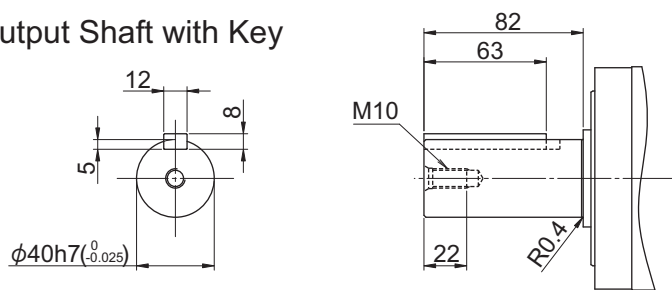
P1 Type

Frame Size: P130
 Reduction Ratio: 1/5
 Flange Shaft

Output Shaft Keyless



Output Shaft with Key



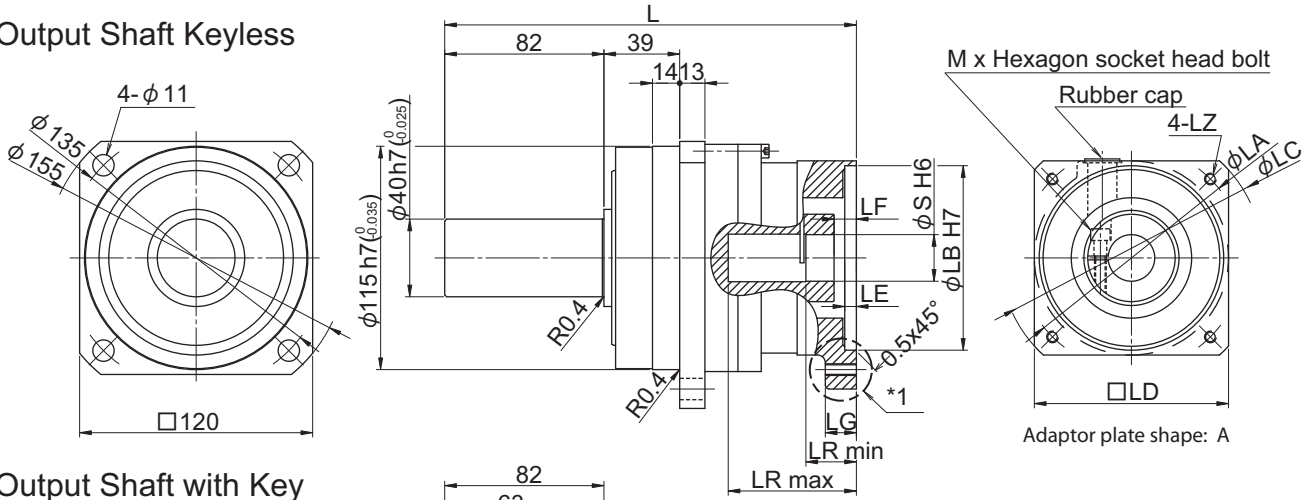
Motor flange code	L	LA	LB	LC	LD	LE	LF	Dimension LG	*1 Adaptor plate shape	LZ	LR		S	M	Mass [kg]	Motor flange code
											max	min				
1S	220	145	110	165	120	7	19.5	16	A	M8	74	34	22	M6	6.9	1S
7Z		145	110	165	120	7	19.5	16			74	34	24	M6	6.8	7Z
1T		145	110	165	120	7	19.5	16			74	34	28	M6	6.7	1T
OX ^(Notes)		265.5	200	114.3	230	180	6	41.5			24	M12	81	60	35	M8

- Note 1: Dimension of shaft end key: Dimension tolerance conforms to JIS B 1301-1996 "Parallel Key."
 Note 2: Dimension of coupling of motor flange code (0V) includes tolerance (+0.010 ~ +0.026)
 Note 3: Dimensions and mass shown in the above figures are subject to change without prior notification.

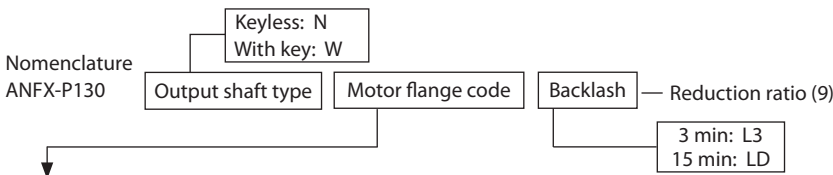
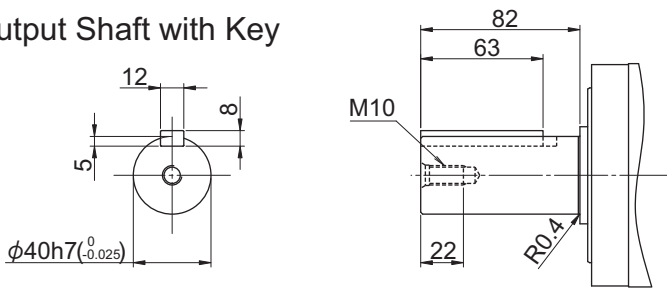
Dimension Drawings

Frame Size: P130
 Reduction Ratio: 1/9
 Flange Shaft

Output Shaft Keyless



Output Shaft with Key



Motor flange code	L	LA	LB	LC	LD	LE	LF	Dimension		Adaptor plate shape	LZ	LR		S	M	Mass [kg]	Motor flange code
								LG	Shape			max	min				
1L	212	115	95	135	100	6	11.5	16	Through hole	A	M6	66	26	24	M6	6.5	1L
7B		115	95	135	100	6	13.5	16	Through hole		M8	66	26	19	M5	6.5	7B
0W		115	95	135	100	6	11.5	16	Through hole		M8	66	26	22	M6	6.5	0W
7Y		115	95	135	100	6	11.5	16	Through hole		M8	66	26	24	M6	6.5	7Y
0Y	220	135	110	165	120	7	19.5	16	Through hole		M8	74	34	22	M6	7.0	0Y
7X		145	110	165	120	7	21.5	16	Through hole		M8	74	34	19	M5	7.0	7X
1S		145	110	165	120	7	19.5	16	Through hole		M8	74	34	22	M6	7.0	1S
7Z		145	110	165	120	7	19.5	16	Through hole		M8	74	34	24	M6	6.9	7Z
1T	265.5	145	110	165	120	7	19.5	16	Through hole		M8	74	34	28	M6	6.8	1T
0X ^{NOTE3}		200	114.3	230	180	6	41.5	24	Through hole		M12	81	60	35	M8	8.5	0X ^{NOTE3}

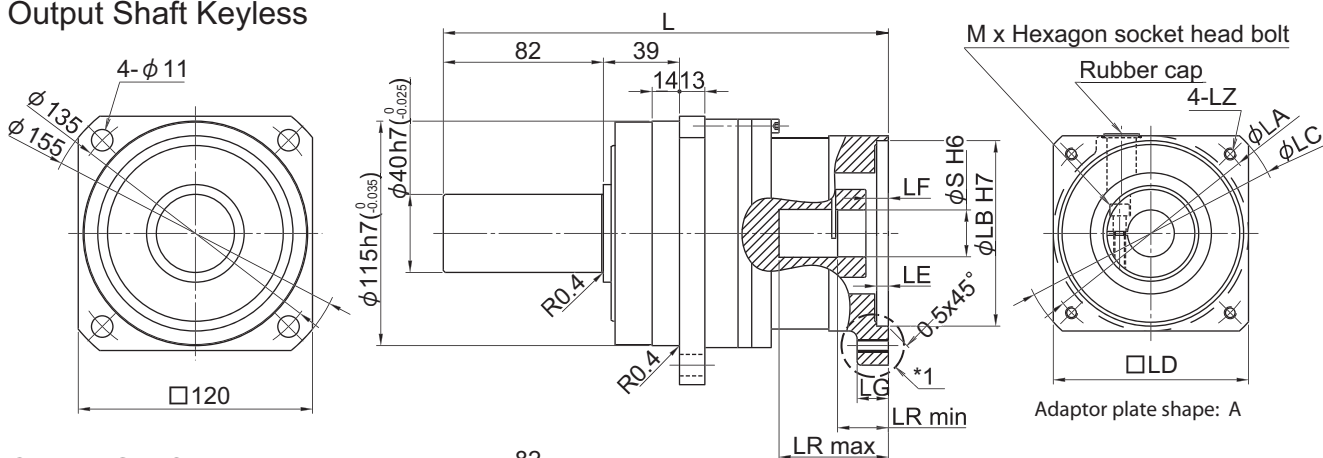
- Note 1: Dimension of shaft end key: Dimension tolerance conforms to JIS B 1301-1996 "Parallel Key."
 Note 2: Dimension of coupling of motor flange code (0V) includes tolerance (+0.010 ~ +0.026)
 Note 3: Dimensions and mass shown in the above figures are subject to change without prior notification.

Dimension Drawings

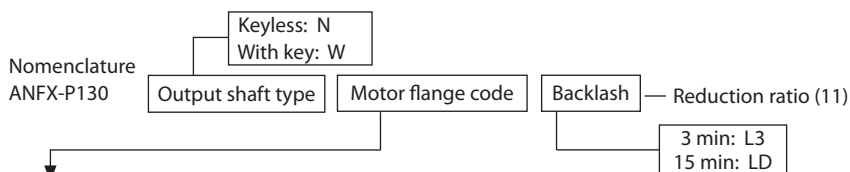
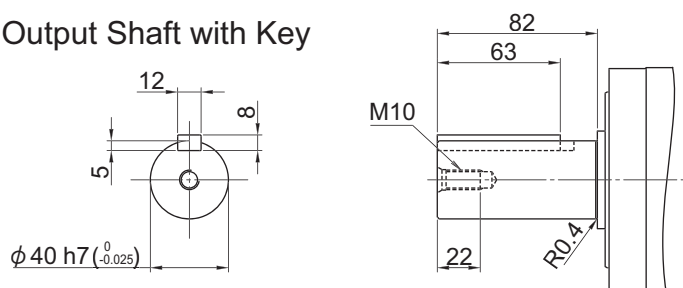
P1 Type

Frame Size: P130
 Reduction Ratio: 1/11
 Flange Shaft

Output Shaft Keyless



Output Shaft with Key



Motor flange code	Dimension														Mass [kg]	Motor flange code	
	L	LA	LB	LC	LD	LE	LF	LG *1		Adaptor plate shape	LZ	LR		S			M
								Shape				max	min				
1L	228	115	95	135	100	6	11.5	16	Through hole	A	M6	56	26	24	M6	7.4	1L
7B		115	95	135	100	6	13.5	16	Through hole		M8	56	26	19	M5	7.3	7B
0W		115	95	135	100	6	11.5	16	Through hole		M8	56	26	22	M6	7.4	0W
7Y		115	95	135	100	6	11.5	16	Through hole		M8	56	26	24	M6	7.4	7Y
0Y	236	135	110	165	120	7	19.5	16	Through hole	A	M8	74	34	22	M6	7.9	0Y
7X		145	110	165	120	7	21.5	16	Through hole		M8	64	34	19	M5	7.7	7X
1S		145	110	165	120	7	19.5	16	Through hole		M8	64	34	22	M6	7.0	1S
7Z		145	110	165	120	7	19.5	16	Through hole		M8	64	34	24	M6	7.7	7Z

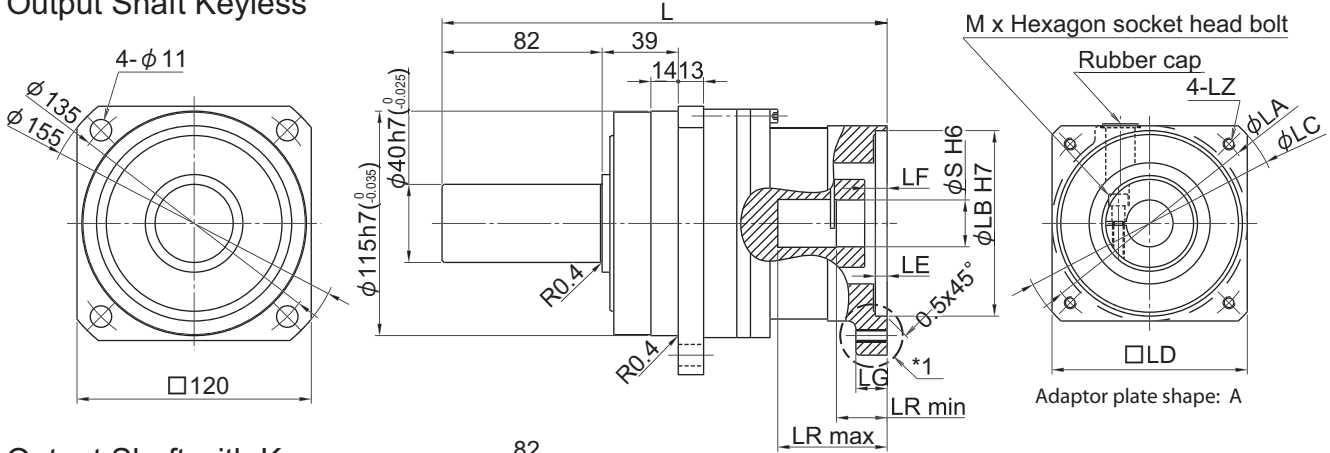
Note 1: Dimension of shaft end key: Dimension tolerance conforms to JIS B 1301-1996 "Parallel Key."

Note 2: Dimensions and mass shown in the above figures are subject to change without prior notification.

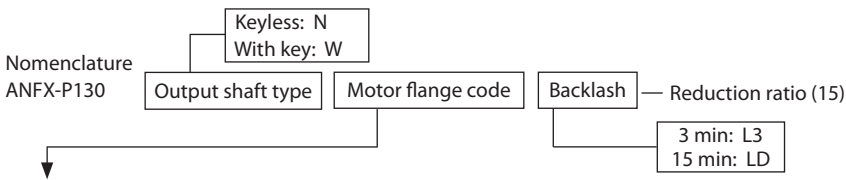
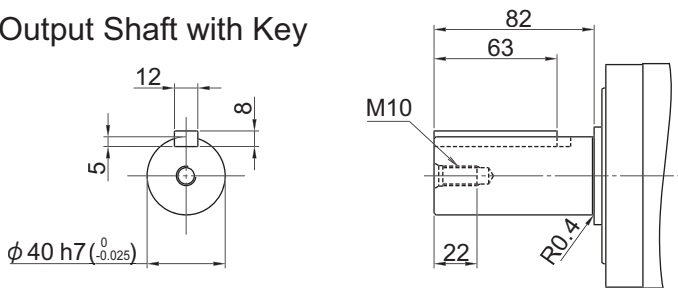
Dimension Drawings

Frame Size: P130
 Reduction Ratio: 1/15
 Flange Shaft

Output Shaft Keyless



Output Shaft with Key



Motor flange code	L	LA	LB	LC	LD	LE	LF	Dimension		*1	Adaptor plate shape	LZ	LR		S	M	Mass [kg]	Motor flange code
								LG	Shape				max	min				
1L	228	115	95	135	100	6	11.5	16	Through hole	A	M6	56	26	24	M6	7.4	1L	
7B		115	95	135	100	6	13.5	16	Through hole		M8	56	26	19	M5	7.3	7B	
0W		115	95	135	100	6	11.5	16	Through hole		M8	56	26	22	M6	7.4	0W	
7Y		115	95	135	100	6	11.5	16	Through hole		M8	56	26	24	M6	7.4	7Y	
0Y	236	135	110	165	120	7	19.5	16	Through hole	A	M8	74	34	22	M6	7.9	0Y	
7X		145	110	165	120	7	21.5	16	Through hole		M8	64	34	19	M5	7.7	7X	
1S		145	110	165	120	7	19.5	16	Through hole		M8	64	34	22	M6	7.0	1S	
7Z		145	110	165	120	7	19.5	16	Through hole		M8	64	34	24	M6	7.7	7Z	

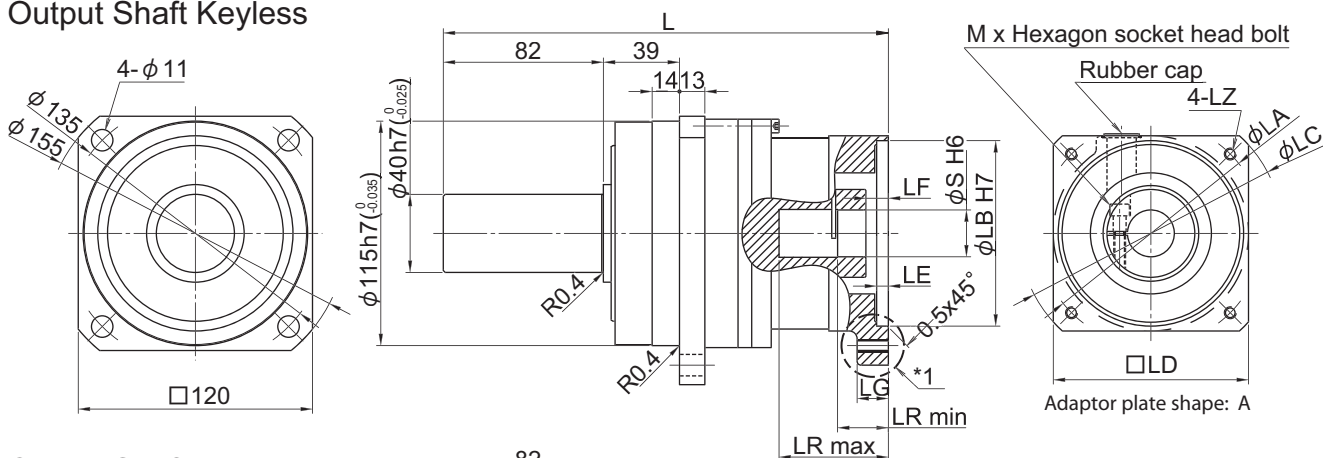
Note 1: Dimension of shaft end key: Dimension tolerance conforms to JIS B 1301-1996 "Parallel Key."
 Note 2: Dimensions and mass shown in the above figures are subject to change without prior notification.

Dimension Drawings

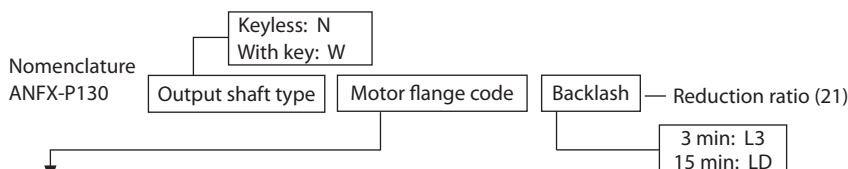
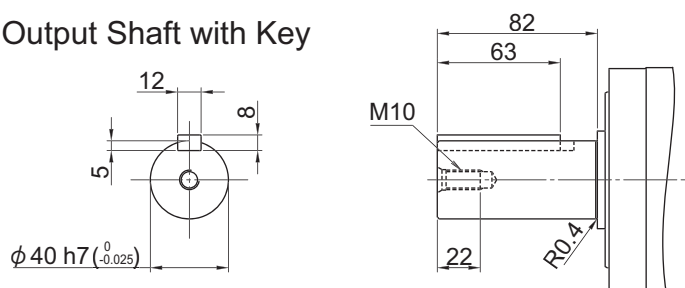
P1 Type

Frame Size: P130
Reduction Ratio: 1/21
Flange Shaft

Output Shaft Keyless



Output Shaft with Key

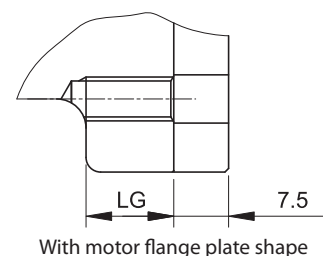


Motor flange code	L	LA	LB	LC	LD	LE	LF	Dimension		*1	Adaptor plate shape	LZ	LR		S	M	Mass [kg]	Motor flange code
								LG	Shape				max	min				
8E ^{Note3}	228	100	80	120	90	5	13.5	12	Through hole	A	M6	56	26	16	M5	7.4	8E ^{Note3}	
7V ^{Note3}		100	80	120	90	5	13.5	12	Through hole		M6	56	26	19	M5	7.3	7V ^{Note3}	
1L		115	95	135	100	6	11.5	16	Through hole		M6	56	26	24	M6	7.3	1L	
7B		115	95	135	100	6	13.5	16	Through hole		M8	56	26	19	M5	7.3	7B	
0W		115	95	135	100	6	11.5	16	Through hole		M8	56	26	22	M6	7.3	0W	
7Y		115	95	135	100	6	11.5	16	Through hole		M8	56	26	24	M6	7.3	7Y	
0Y	236	135	110	165	120	7	19.5	16	Through hole	M8	74	34	22	M6	7.9	0Y		
7X		145	110	165	120	7	21.5	16	Through hole	M8	64	34	19	M5	7.6	7X		
1S		145	110	165	120	7	19.5	16	Through hole	M8	64	34	22	M6	7.6	1S		
7Z		145	110	165	120	7	19.5	16	Through hole	M8	64	34	24	M6	7.7	7Z		

Note 1: Dimension of shaft end key: Dimension tolerance conforms to JIS B 1301-1996 "Parallel Key,"

2: Shape of flange plate for motor

3: Dimensions and mass shown in the above figures are subject to change without prior notification.



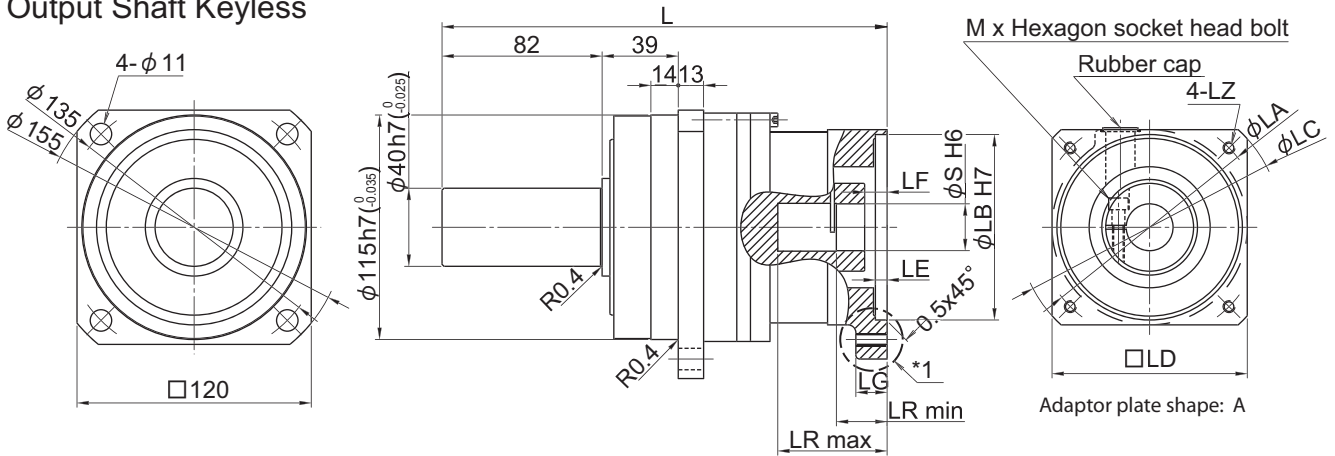
Dimension Drawings

Frame Size: P130

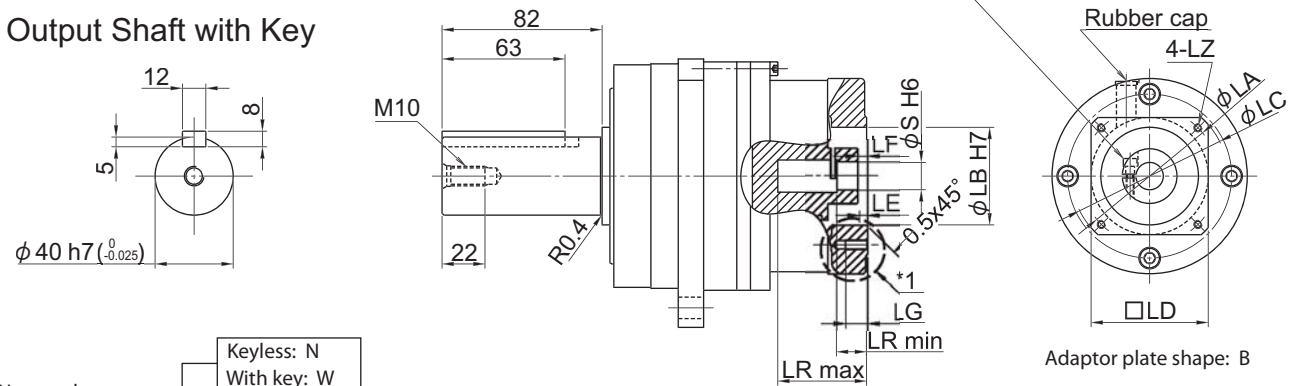
Reduction Ratio: 1/33

Flange Shaft

Output Shaft Keyless



Output Shaft with Key



Nomenclature ANFX-P130

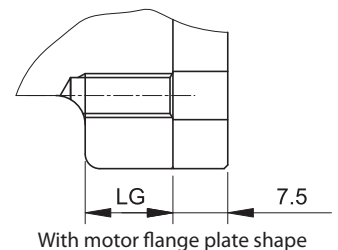
Keyless: N
With key: W

Output shaft type Motor flange code Backlash Reduction ratio (33)

3 min: L3
15 min: LD

Motor flange code	L	LA	LB	LC	LD	LE	LF	Dimension LG	*1	Adaptor plate shape	LR		S	M	Mass [kg]	Motor flange code	
											max	min					
2R	217.5	70	50	80	60	4	5	11	Useful thread length	B	M5	45.5	15.5	14	M4	7.3	2R
0U	220.5	90	70	120	90	6	6	11	Useful thread length		M5	48.5	18.5	16	M5	7.3	0U
7S		90	70	120	90	6	6	11	Useful thread length		M5	48.5	18.5	19	M5	7.3	7S
7P		90	70	120	90	6	6	13	Useful thread length		M6	48.5	18.5	16	M5	7.3	7P
1G		90	70	120	90	6	6	13	Useful thread length		M6	48.5	18.5	19	M5	7.3	1G
2J		228	100	80	120	90	5	15.5	12	Through hole	M6	56	26	10	M4	7.4	2J
0V	100		80	120	90	5	15.5	12	Through hole	M6	56	26	14	M4	7.4	0V	
8E	100		80	120	90	5	13.5	12	Through hole	M6	56	26	16	M5	7.4	8E	
7A	115		95	135	100	6	13.5	16	Through hole	M8	56	26	16	M5	7.4	7A	
7R	145		110	165	120	7	21.5	16	Through hole	M8	64	34	16	M5	7.7	7R	
7X	236	145	110	165	120	7	21.5	16	Through hole	A	M8	64	34	19	M5	7.7	7X
7Z		145	110	165	120	7	21.5	16	Through hole		M8	64	36	24	M6	7.7	7Z

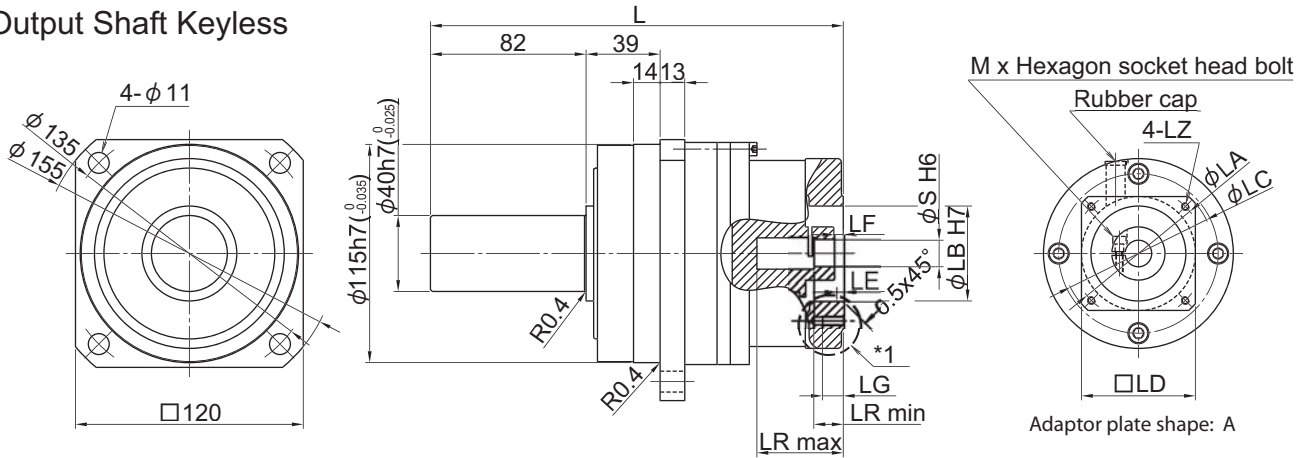
- Note 1: Dimension of shaft end key: Dimension tolerance conforms to JIS B 1301-1996 "Parallel Key."
 Note 2: Dimension of coupling of motor flange code (0V) includes tolerance (+0.012 ~ +0.023)
 Note 3: Shape of flange plate for motor
 Note 4: Dimensions and mass shown in the above figures are subject to change without prior notification.



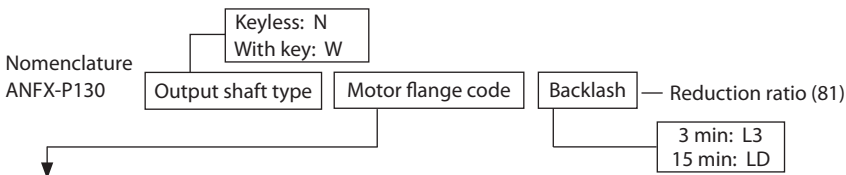
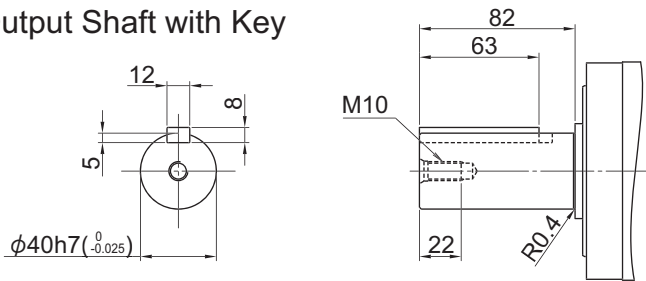
Dimension Drawings

Frame Size: P130
 Reduction Ratio: 1/81
 Flange Shaft

Output Shaft Keyless

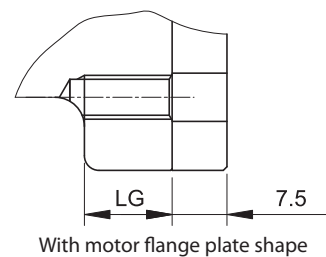


Output Shaft with Key



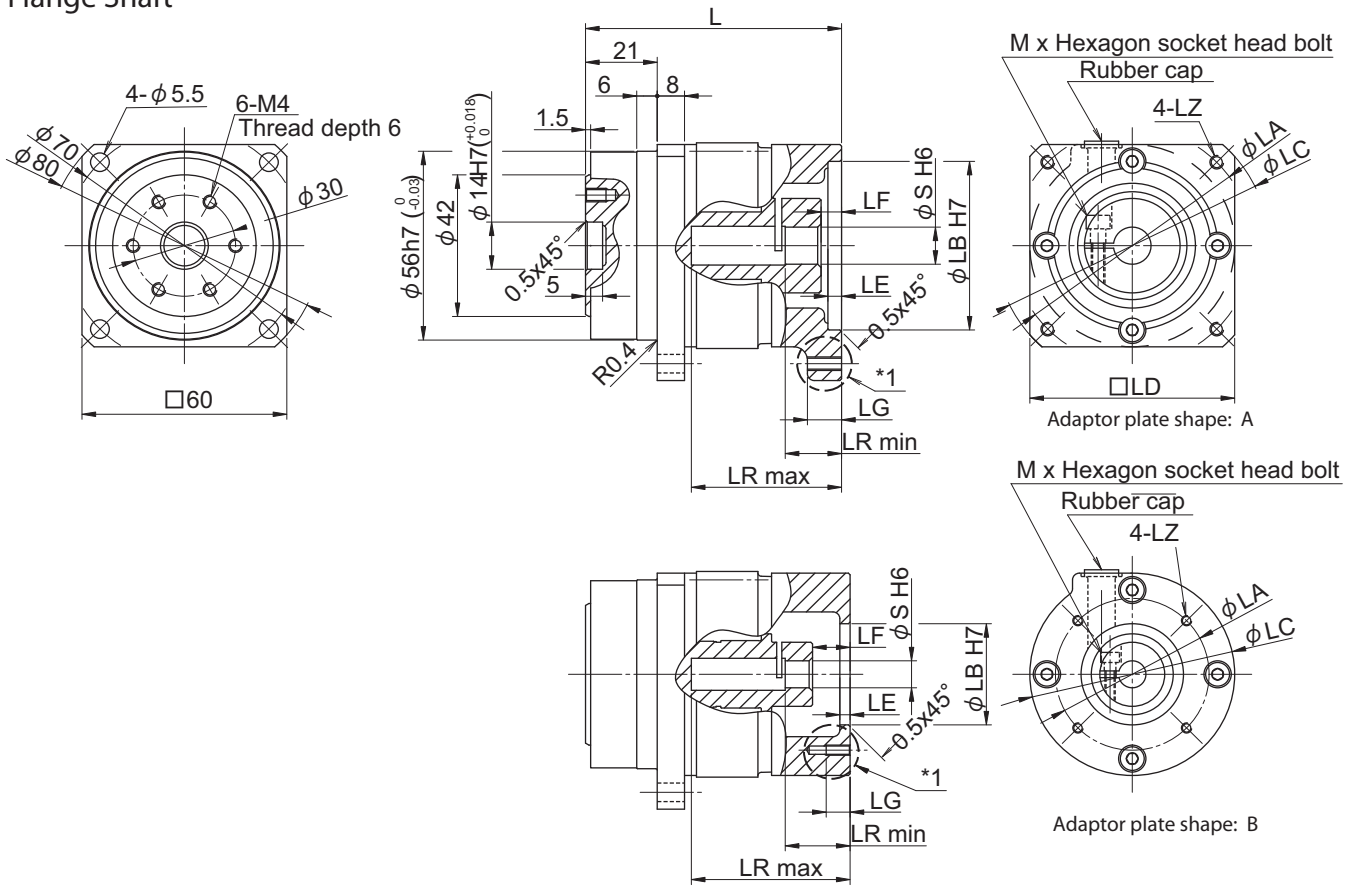
Motor flange code	L	LA	LB	LC	LD	LE	LF	Dimension LG	*1	Adaptor plate shape	LZ	LR		S	M	Mass [kg]	Motor flange code
												max	min				
2L	217.5	70	50	80	60	4	5	9	Useful thread length	A	M4	45.5	15.5	11	M4	7.3	2L
2P		70	50	80	60	4	5	9	Useful thread length		M4	45.5	15.5	14	M4	7.3	2P
2H		70	50	80	60	4	5	11	Useful thread length		M5	45.5	15.5	9	M4	7.3	2H
2R		70	50	80	60	4	5	11	Useful thread length		M5	45.5	15.5	14	M4	7.3	2R
8A	220.5	90	70	120	90	6	8	11	Useful thread length		M5	48.5	18.5	11	M4	7.4	8A
8B		90	70	120	90	6	8	11	Useful thread length		M5	48.5	18.5	14	M4	7.4	8B
2T		90	70	120	90	6	8	13	Useful thread length		M6	48.5	18.5	14	M4	7.4	2T
2J		228	100	80	120	90	5	15.5	12		Through hole	M6	56	26	10	M4	7.4

Note 1: Dimension of shaft end key: Dimension tolerance conforms to JIS B 1301-1996 "Parallel Key."
 2: Shape of flange plate for motor
 3: Dimensions and mass shown in the above figures are subject to change without prior notification.



Dimension Drawings

Frame Size: P110
 Reduction Ratio: 1/5
 Flange Shaft



Nomenclature
 ANFX-P110F Motor flange code Backlash Reduction ratio (5)

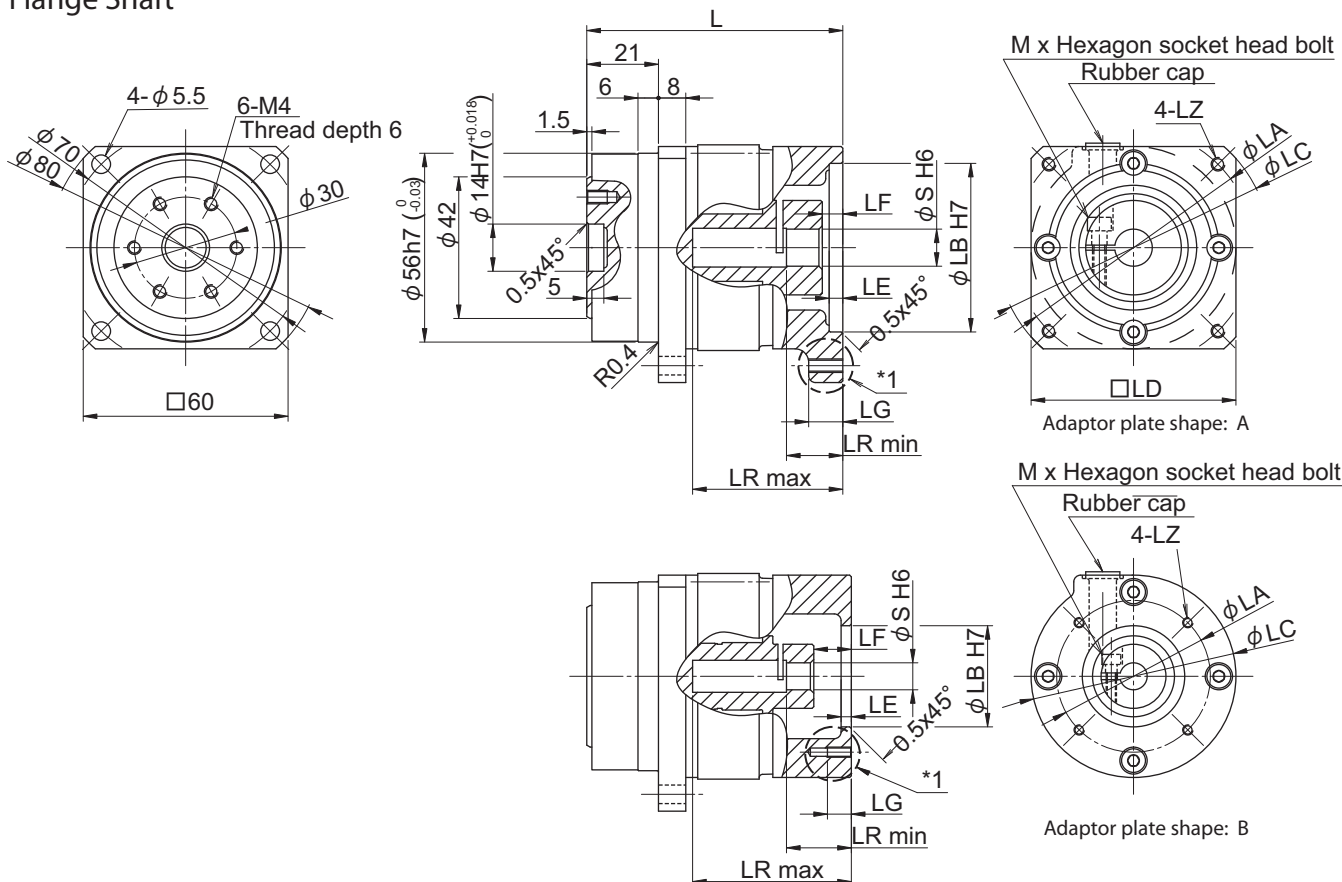
3 min: L3
 15 min: LD

Motor flange code	L	LA	LB	LC	LD	LE	LF	Dimension LG	*1	Adaptor plate shape	LZ	LR		S	M	Mass [kg]	Motor flange code	
												max	min					
2C	77.5	45	30	60	-	5	11	7	Useful thread length	B	M3	46.5	19	8	M3	0.86	2C	
7J		46	30	60	-	5	11	9	Useful thread length		M4	46.5	19	6	M3	0.86	7J	
2D		46	30	60	-	5	11	9	Useful thread length		M4	46.5	19	8	M3	0.86	2D	
2E	75	60	50	80	60	4	8.5	8	Useful thread length	A	M4	44	16.5	8	M3	0.86	2E	
2K		60	50	80	60	4	6	8	Useful thread length		M4	44	16.5	11	M4	0.86	2K	
2F		70	50	80	60	4	8.5	10	Through hole		M4	44	16.5	8	M3	0.86	2F	
2L		70	50	80	60	4	6	10	Through hole		M4	44	16.5	11	M4	0.86	2L	
2P		70	50	80	60	4	6	10	Through hole		M4	44	16.5	14	M4	0.86	2P	
2G		70	50	80	60	4	8.5	10	Through hole		M5	44	16.5	8	M3	0.86	2G	
2H		70	50	80	60	4	6	10	Through hole		M5	44	16.5	9	M4	0.86	2H	
2R		70	50	80	60	4	6	10	Through hole		M5	44	16.5	14	M4	0.86	2R	
8A		76.5	90	70	105	80	6	7.5	12		Through hole	M5	45.5	18	11	M4	0.96	8A
8B			90	70	105	80	6	7.5	12		Through hole	M5	45.5	18	14	M4	0.96	8B
2T	90		70	105	80	6	7.5	12	Through hole	M6	45.5	18	14	M4	0.96	2T		
2J	82	100	80	120	90	5	13	12	Through hole	M6	51	23.5	10	M4	1.06	2J		
8E	98.5	100	80	120	90	6	9.5	12	Through hole	M6	41	22	16	M5	1.26	8E		

Note 1: Dimensions and mass shown in the above figures are subject to change without prior notification.

Dimension Drawings

Frame Size: P110
 Reduction Ratio: 1/9
 Flange Shaft



Nomenclature
 ANFX-P110F Motor flange code Backlash Reduction ratio (9)

3 min: L3
 15 min: LD

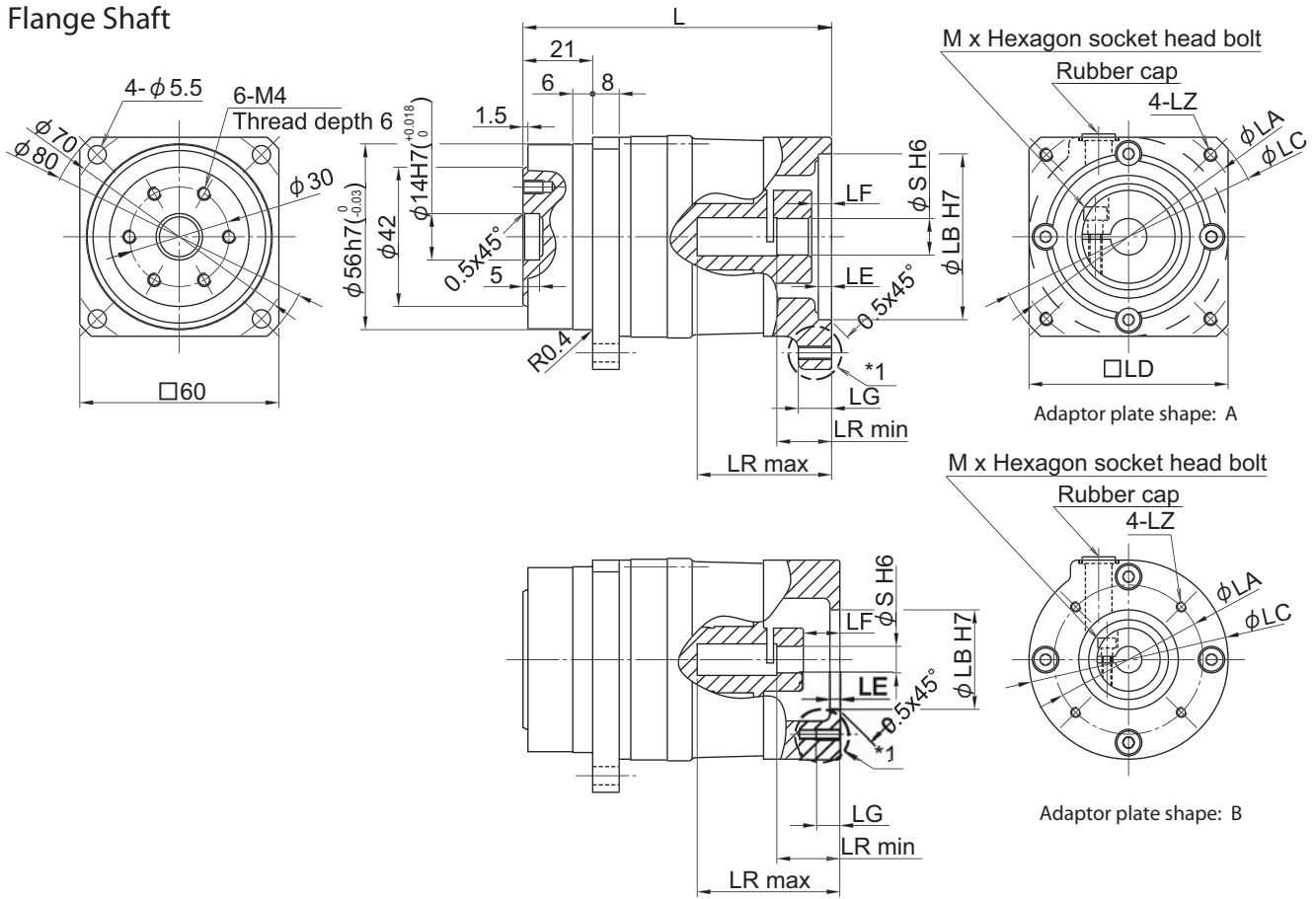
Motor flange code	L	LA	LB	LC	LD	LE	LF	Dimension LG	*1	Adaptor plate shape	LZ	LR		S	M	Mass [kg]	Motor flange code	
												max	min					
2C	77.5	45	30	60	-	5	11	7	Useful thread length	B	M3	46.5	19	8	M3	0.86	2C	
7J		46	30	60	-	5	11	9	Useful thread length		M4	46.5	19	6	M3	0.86	7J	
2D		46	30	60	-	5	11	9	Useful thread length		M4	46.5	19	8	M3	0.86	2D	
2E	75	60	50	80	60	4	8.5	8	Useful thread length	A	M4	44	16.5	8	M3	0.86	2E	
2K		60	50	80	60	4	6	8	Useful thread length		M4	44	16.5	11	M4	0.86	2K	
2F		70	50	80	60	4	8.5	10	Through hole		M4	44	16.5	8	M3	0.86	2F	
2L		70	50	80	60	4	6	10	Through hole		M4	44	16.5	11	M4	0.86	2L	
2P		70	50	80	60	4	6	10	Through hole		M4	44	16.5	14	M4	0.86	2P	
2G		70	50	80	60	4	8.5	10	Through hole		M5	44	16.5	8	M3	0.86	2G	
2H		70	50	80	60	4	6	10	Through hole		M5	44	16.5	9	M4	0.86	2H	
2R		70	50	80	60	4	6	10	Through hole		M5	44	16.5	14	M4	0.86	2R	
8A		76.5	90	70	105	80	6	7.5	12		Through hole	M5	45.5	18	11	M4	0.96	8A
8B			90	70	105	80	6	7.5	12		Through hole	M5	45.5	18	14	M4	0.96	8B
2T	90		70	105	80	6	7.5	12	Through hole	M6	45.5	18	14	M4	0.96	2T		
2J	82	100	80	120	90	5	13	12	Through hole	M6	51	23.5	10	M4	1.16	2J		
8E	98.5	100	80	120	90	6	9.5	12	Through hole	M6	41	22	16	M5	1.26	8E		

Note 1: Dimensions and mass shown in the above figures are subject to change without prior notification.

P1 Type

Dimension Drawings

Frame Size: P110
 Reduction Ratio: 1/11
 Flange Shaft



Nomenclature
 ANFX-P110F [Motor flange code] [Backlash] — Reduction ratio (11)

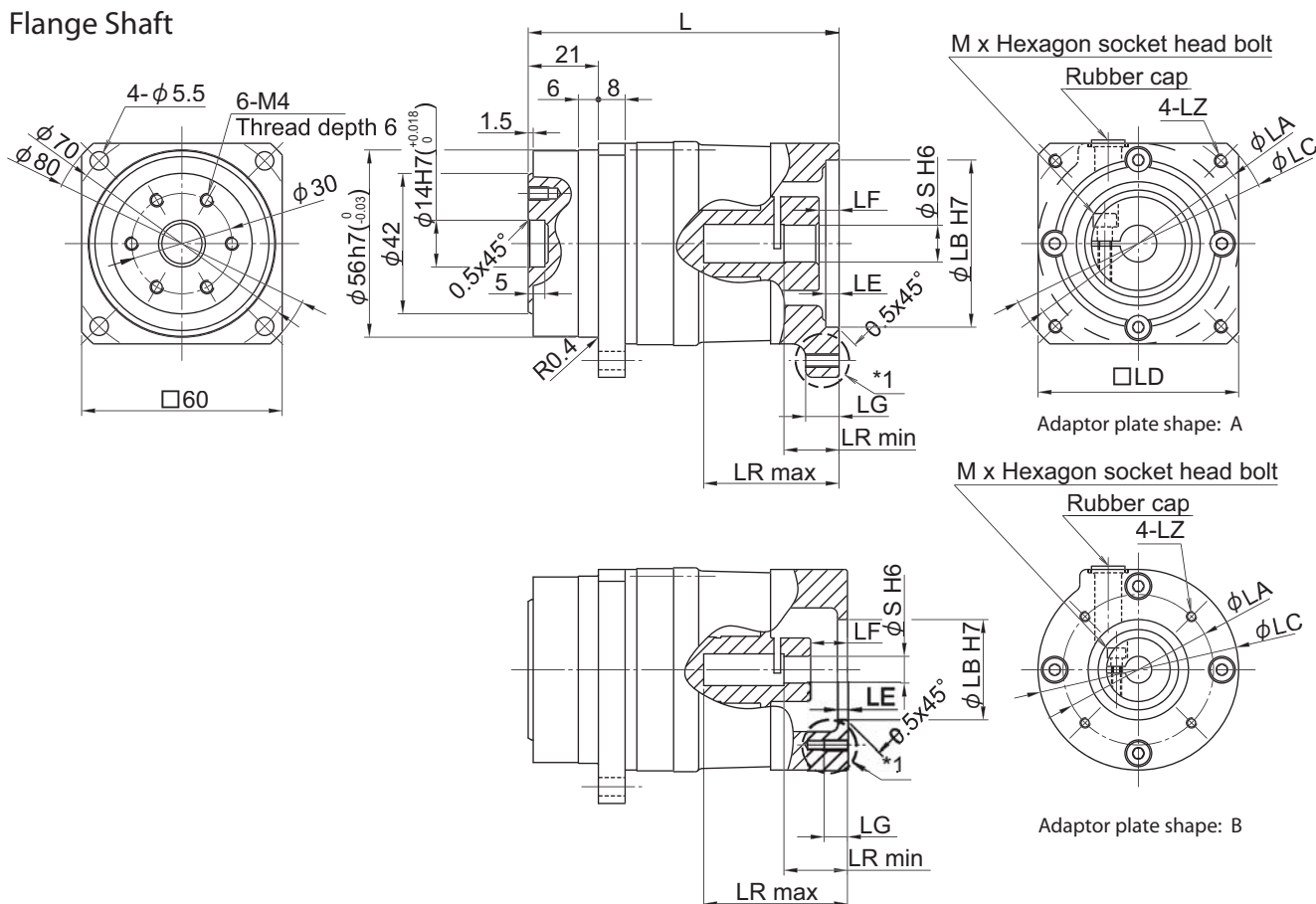
3 min: L3
 15 min: LD

Motor flange code	L	LA	LB	LC	LD	LE	LF	LG	*1 Shape	Adaptor plate shape	LZ	LR		S	M	Mass [kg]	Motor flange code	
												max	min					
2C	95.5	45	30	60	-	5	11	7	Useful thread length	B	M3	43	19	8	M3	1.06	2C	
7J		46	30	60	-	5	11	9	Useful thread length		M4	43	19	6	M3	1.06	7J	
2D		46	30	60	-	5	11	9	Useful thread length		M4	43	19	8	M3	1.06	2D	
2E	93	60	50	80	60	4	8.5	9	Useful thread length	A	M4	40.5	16.5	8	M3	1.06	2E	
2K		60	50	80	60	4	6	9	Useful thread length		M4	40.5	16.5	11	M4	1.06	2K	
2F		70	50	80	60	4	8.5	10	Through hole		M4	40.5	16.5	8	M3	1.06	2F	
2L		70	50	80	60	4	6	10	Through hole		M4	40.5	16.5	11	M4	1.16	2L	
2G		70	50	80	60	4	8.5	10	Through hole		M5	40.5	16.5	8	M3	1.06	2G	
2H		70	50	80	60	4	6	10	Through hole		M5	40.5	16.5	9	M4	1.16	2H	
2R		70	50	80	60	4	6	10	Through hole		M5	40.5	16.5	14	M4	1.16	2R	
8A		94.5	90	70	105	80	6	7.5	12		Through hole	M5	42	18	11	M4	1.26	8A
8B			90	70	105	80	6	7.5	12		Through hole	M5	42	18	14	M4	1.26	8B
2T	90		70	105	80	6	7.5	12	Through hole	M6	42	18	14	M4	1.26	2T		

Note 1: Dimensions and mass shown in the above figures are subject to change without prior notification.

Dimension Drawings

Frame Size: P110
 Reduction Ratio: 1/15
 Flange Shaft



Nomenclature
 ANFX-P110F Motor flange code Backlash Reduction ratio (15)

3 min: L3
 15 min: LD

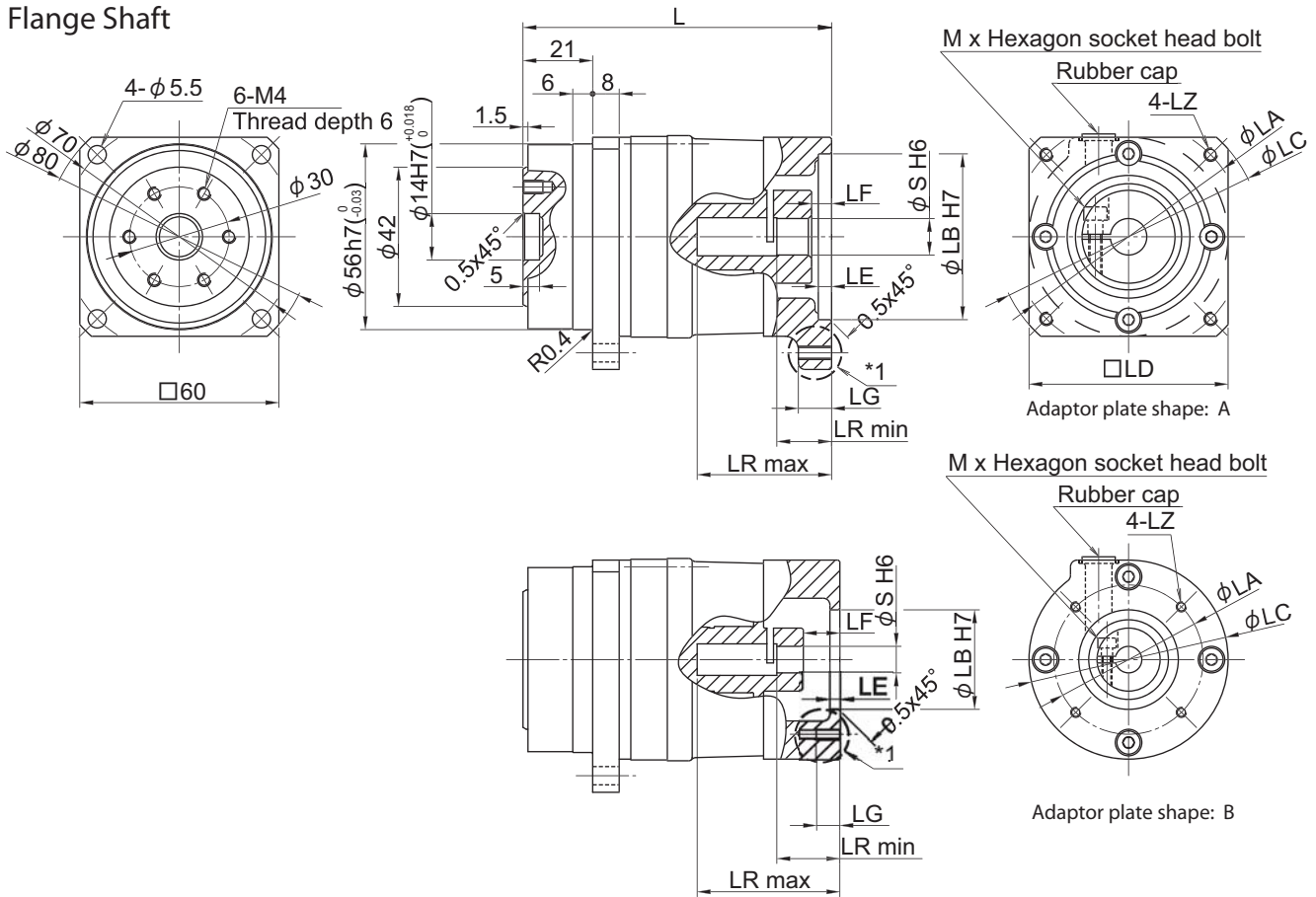
Motor flange code	L	LA	LB	LC	LD	LE	LF	Dimension LG	*1	Adaptor plate shape	LZ	LR		S	M	Mass [kg]	Motor flange code	
												max	min					
2C	95.5	45	30	60	-	5	11	7	Useful thread length	B	M3	43	19	8	M3	1.06	2C	
7J		46	30	60	-	5	11	9	Useful thread length		M4	43	19	6	M3	1.06	7J	
2D		46	30	60	-	5	11	9	Useful thread length		M4	43	19	8	M3	1.06	2D	
2E	93	60	50	80	60	4	8.5	9	Useful thread length	A	M4	40.5	16.5	8	M3	1.06	2E	
2K		60	50	80	60	4	6	9	Useful thread length		M4	40.5	16.5	11	M4	1.06	2K	
2F		70	50	80	60	4	8.5	10	Through hole		M4	40.5	16.5	8	M3	1.06	2F	
2L		70	50	80	60	4	6	10	Through hole		M4	40.5	16.5	11	M4	1.16	2L	
2G		70	50	80	60	4	8.5	10	Through hole		M5	40.5	16.5	8	M3	1.06	2G	
2H		70	50	80	60	4	6	10	Through hole		M5	40.5	16.5	9	M4	1.16	2H	
2R		70	50	80	60	4	6	10	Through hole		M5	40.5	16.5	14	M4	1.16	2R	
8A		94.5	90	70	105	80	6	7.5	12		Through hole	M5	42	18	11	M4	1.26	8A
8B			90	70	105	80	6	7.5	12		Through hole	M5	42	18	14	M4	1.26	8B
2T	90		70	105	80	6	7.5	12	Through hole	M6	42	18	14	M4	1.26	2T		

Note 1: Dimensions and mass shown in the above figures are subject to change without prior notification.

P1 Type

Dimension Drawings

Frame Size: P110
 Reduction Ratio: 1/21
 Flange Shaft



Nomenclature
 ANFX-P110F [Motor flange code] [Backlash] — Reduction ratio (21)

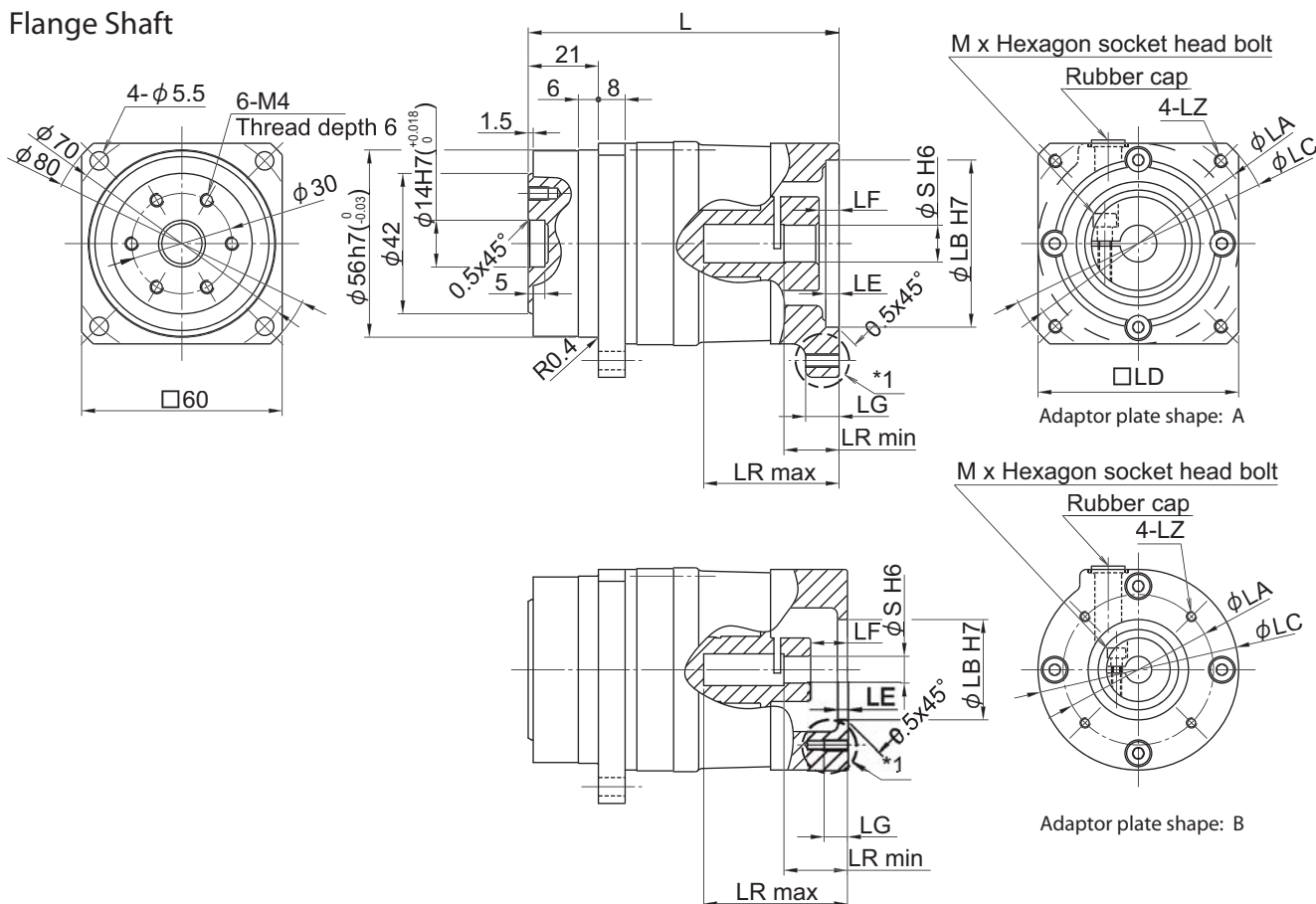
3 min: L3
 15 min: LD

Motor flange code	L	LA	LB	LC	LD	LE	LF	LG	*1	Adaptor plate shape	LZ	LR		S	M	Mass [kg]	Motor flange code	
												max	min					
2C	95.5	45	30	60	-	5	11	7	Useful thread length	B	M3	43	19	8	M3	1.06	2C	
7J		46	30	60	-	5	11	9	Useful thread length		M4	43	19	6	M3	1.06	7J	
2D		46	30	60	-	5	11	9	Useful thread length		M4	43	19	8	M3	1.06	2D	
2E	93	60	50	80	60	4	8.5	9	Useful thread length	A	M4	40.5	16.5	8	M3	1.06	2E	
2K		60	50	80	60	4	6	9	Useful thread length		M4	40.5	16.5	11	M4	1.16	2K	
2F		70	50	80	60	4	8.5	10	Through hole		M4	40.5	16.5	8	M3	1.06	2F	
2L		70	50	80	60	4	6	10	Through hole		M4	40.5	16.5	11	M4	1.06	2L	
2G		70	50	80	60	4	8.5	10	Through hole		M5	40.5	16.5	8	M3	1.06	2G	
2H		70	50	80	60	4	6	10	Through hole		M5	40.5	16.5	9	M4	1.16	2H	
2R		70	50	80	60	4	6	10	Through hole		M5	40.5	16.5	14	M4	1.06	2R	
8A		94.5	90	70	105	80	6	7.5	12		Through hole	M5	42	18	11	M4	1.26	8A
8B			90	70	105	80	6	7.5	12		Through hole	M5	42	18	14	M4	1.16	8B
2T			90	70	105	80	6	7.5	12		Through hole	M6	42	18	14	M4	1.16	2T

Note 1: Dimensions and mass shown in the above figures are subject to change without prior notification.

Dimension Drawings

Frame Size: P110
 Reduction Ratio: 1/33
 Flange Shaft



Nomenclature
 ANFX-P110F Motor flange code Backlash Reduction ratio (33)

3 min: L3
 15 min: LD

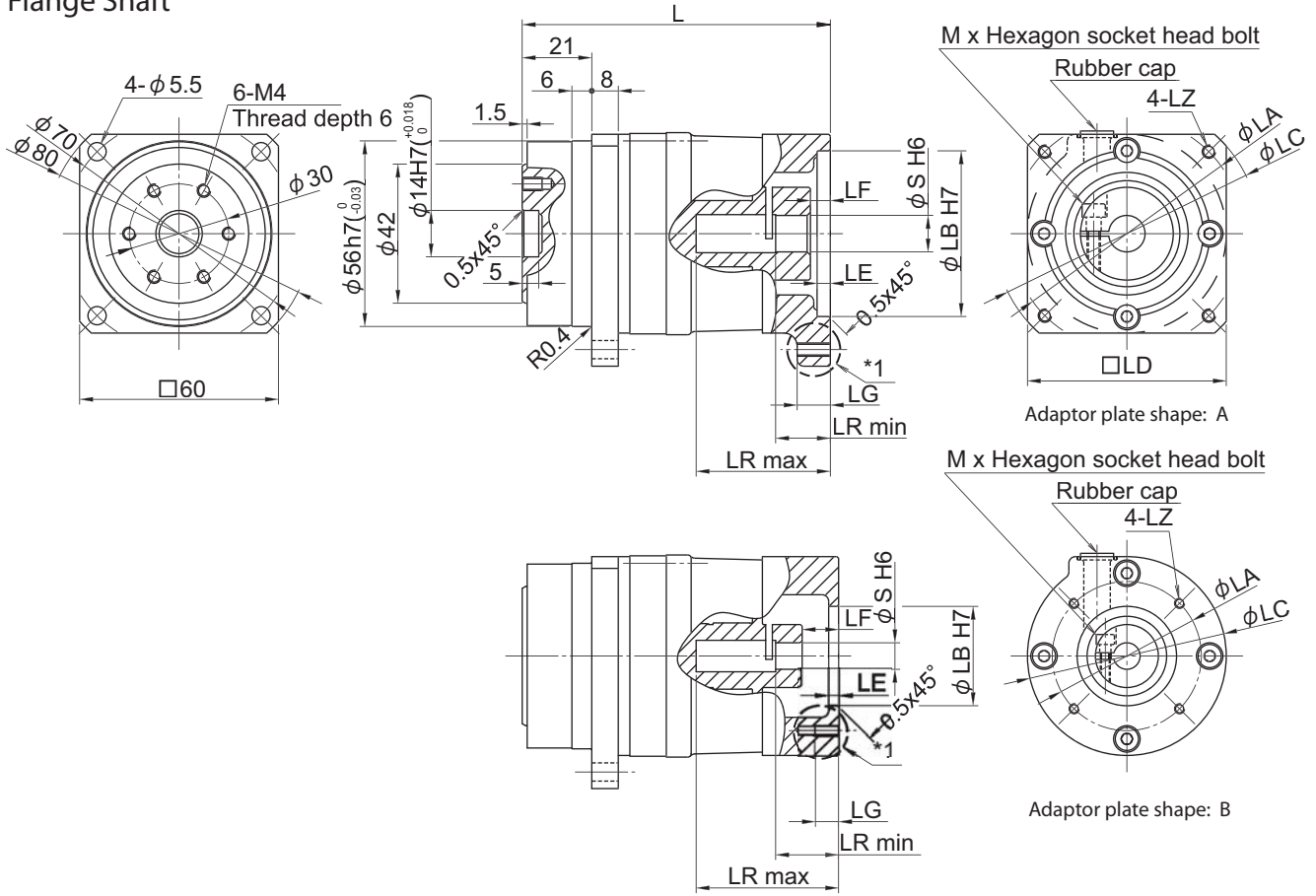
Motor flange code	L	LA	LB	LC	LD	LE	LF	Dimension LG	*1 Adaptor plate shape	Adaptor plate shape	LZ	LR max	min	S	M	Mass [kg]	Motor flange code
2C	95.5	45	30	60	-	5	11	7	Useful thread length	B	M3	43	19	8	M3	1.16	2C
7J		46	30	60	-	5	11	9	Useful thread length		M4	43	19	6	M3	1.16	7J
2D		46	30	60	-	5	11	9	Useful thread length		M4	43	19	8	M3	1.16	2D
2E	93	60	50	80	60	4	8.5	9	Useful thread length	A	M4	40.5	16.5	8	M3	1.06	2E
2K		60	50	80	60	4	6	9	Useful thread length		M4	40.5	16.5	11	M4	1.26	2K
2F		70	50	80	60	4	8.5	10	Through hole		M4	40.5	16.5	8	M3	1.06	2F
2L		70	50	80	60	4	6	10	Through hole		M4	40.5	16.5	11	M4	1.16	2L
2G		70	50	80	60	4	8.5	10	Through hole		M5	40.5	16.5	8	M3	1.06	2G
2H		70	50	80	60	4	6	10	Through hole		M5	40.5	16.5	9	M4	1.16	2H
2R		70	50	80	60	4	6	10	Through hole		M5	40.5	16.5	14	M4	1.06	2R
8A	124.5	90	70	105	80	6	7.5	12	Through hole	M5	42	18	11	M4	1.36	8A	
2T	94.5	90	70	105	80	6	7.5	12	Through hole	M6	42	18	14	M4	1.16	2T	

Note 1: Dimensions and mass shown in the above figures are subject to change without prior notification.

P1 Type

Dimension Drawings

Frame Size: P110
 Reduction Ratio: 1/45
 Flange Shaft



Nomenclature
 ANFX-P110F Motor flange code Backlash Reduction ratio (45)

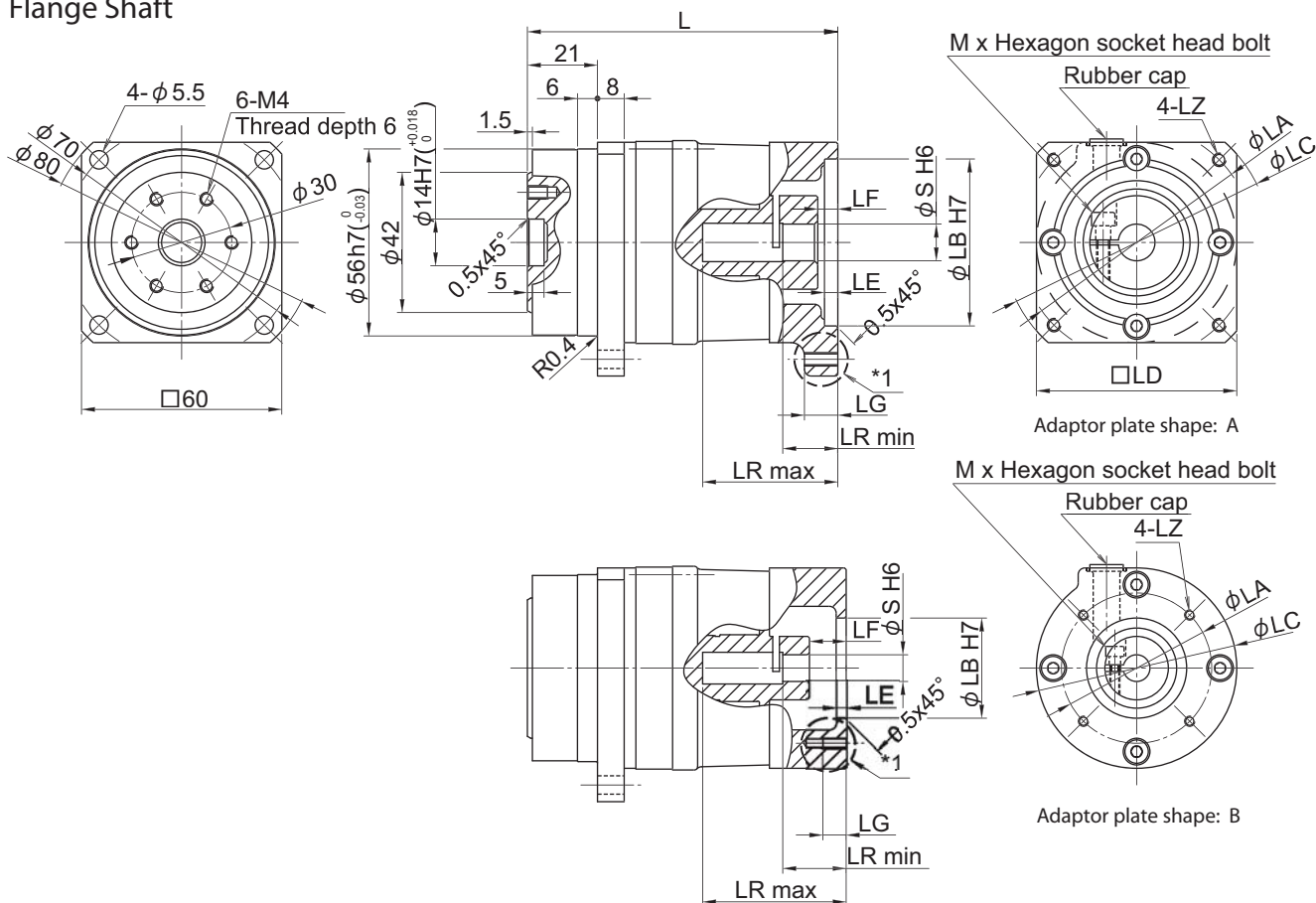
3 min: L3
 15 min: LD

Motor flange code	L	LA	LB	LC	LD	LE	LF	Dimension LG	*1	Adaptor plate shape	LZ	LR		S	M	Mass [kg]	Motor flange code
												max	min				
2C	95.5	45	30	60	-	5	11	7	Useful thread length	B	M3	43	19	8	M3	1.16	2C
7J		46	30	60	-	5	11	9	Useful thread length		M4	43	19	6	M3	1.16	7J
2D		46	30	60	-	5	11	9	Useful thread length		M4	43	19	8	M3	1.16	2D
2E	93	60	50	80	60	4	8.5	9	Useful thread length	A	M4	40.5	16.5	8	M3	1.06	2E
2F		70	50	80	60	4	8.5	10	Through hole		M4	40.5	16.5	8	M3	1.06	2F
2G		70	50	80	60	4	8.5	10	Through hole		M5	40.5	16.5	8	M3	1.06	2G
2H		70	50	80	60	4	6	10	Through hole		M5	40.5	16.5	9	M4	1.16	2H

Note 1: Dimensions and mass shown in the above figures are subject to change without prior notification.

Dimension Drawings

Frame Size: P110
 Reduction Ratio: 1/81
 Flange Shaft



Nomenclature
 ANFX-P110F Motor flange code Backlash Reduction ratio (81)

3 min: L3
 15 min: LD

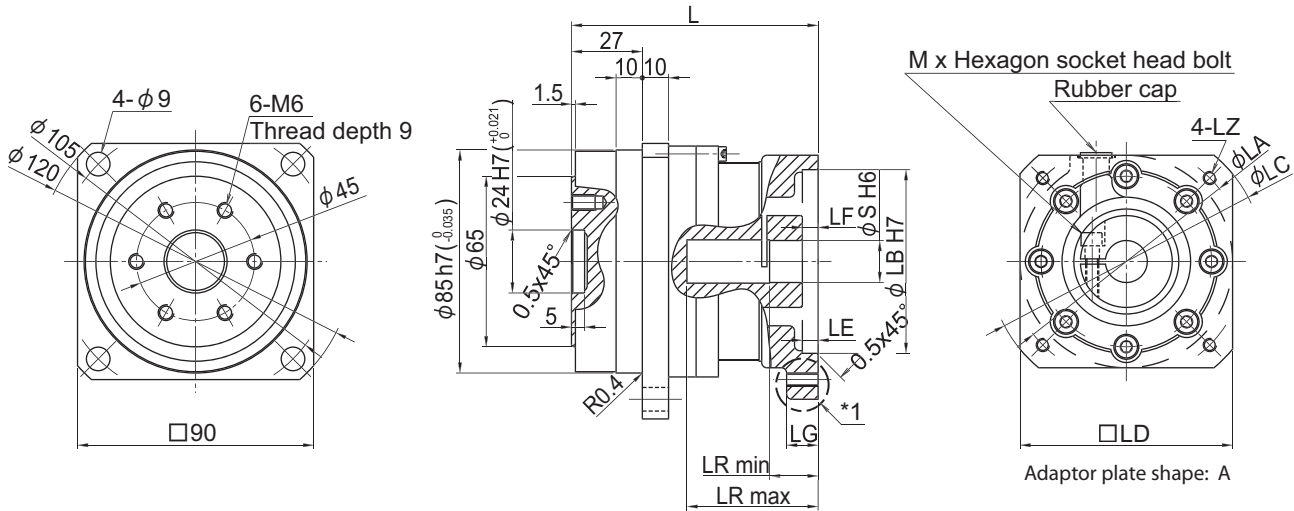
Motor flange code	L	LA	LB	LC	LD	LE	LF	Dimension LG	*1 Adaptor plate shape	Adaptor plate shape	LZ	LR		S	M	Mass [kg]	Motor flange code
												max	min				
2C	95.5	45	30	60	-	5	11	7	Useful thread length	B	M3	43	19	8	M3	1.16	2C
7J		46	30	60	-	5	11	9	Useful thread length		M4	43	19	6	M3	1.16	7J
2D		46	30	60	-	5	11	9	Useful thread length		M4	43	19	8	M3	1.16	2D
2E	93	60	50	80	60	4	8.5	9	Useful thread length	A	M4	40.5	16.5	8	M3	1.16	2E
2H		70	50	80	60	4	6	10	Through hole		M5	40.5	16.5	9	M4	1.16	2H

Note 1: Dimensions and mass shown in the above figures are subject to change without prior notification.

P1 Type

Dimension Drawings

Frame Size: P120
 Reduction Ratio: 1/3.7
 Flange Shaft



Nomenclature
 ANFX-P120F Motor flange code Backlash Reduction ratio (3.7)

3 min: L3
 15 min: LD

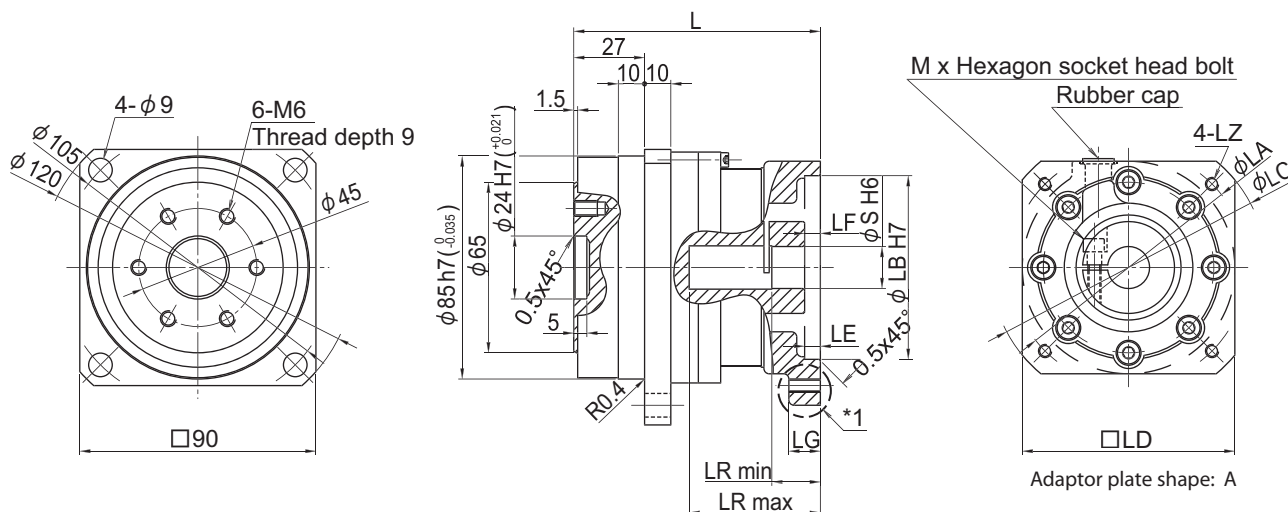
Motor flange code	L	LA	LB	LC	LD	LE	LF	Dimension		Adaptor plate shape	LZ	LR		S	M	Mass [kg]	Motor flange code
								LG	Shape *1			max	min				
0U	94	90	70	105	81	6	6	12	Through hole	A	M5	50	18.5	16	M5	2.3	0U
7S		90	70	105	81	6	6	12	Through hole		M5	50	18.5	19	M5	2.2	7S
7P		90	70	105	81	6	6	12	Through hole		M6	50	18.5	16	M5	2.3	7P
1G		90	70	105	81	6	6	12	Through hole		M6	50	18.5	19	M5	2.4	1G
0V ^{Note2}	107.5	100	80	120	90	5	19.5	12	Through hole		M6	63.5	30	14	M4	2.4	0V ^{Note2}
8E		100	80	120	90	5	19.5	12	Through hole		M6	63.5	32	16	M5	2.4	8E
7V		100	80	120	90	5	19.5	12	Through hole		M6	63.5	32	19	M5	2.3	7V
1L	120.5	115	95	135	100	6	17	16	Through hole		M6	46	31.5	24	M6	2.7	1L
7A	107.5	115	95	135	100	6	19.5	16	Through hole		M8	63.5	32	16	M5	2.5	7A
7B		115	95	135	100	6	19.5	16	Through hole		M8	63.5	32	19	M5	2.4	7B
0W	120.5	115	95	135	100	6	17	16	Through hole		M8	46	31.5	22	M6	2.8	0W
7Y		115	95	135	100	6	17	16	Through hole		M8	46	31.5	24	M6	2.7	7Y
0Y		135	110	165	120	7	17	16	Through hole		M8	46	31.5	22	M6	2.9	0Y
7R	110.5	145	110	165	120	7	22.5	16	Through hole		M8	66.5	35	16	M5	2.6	7R
7X		145	110	165	120	7	22.5	16	Through hole		M8	66.5	35	19	M5	2.5	7X
1S	145.5	145	110	165	120	7	42	16	Through hole		M8	71	55	22	M6	3.0	1S
7Z		145	110	165	120	7	42	16	Through hole	M8	71	55	24	M6	3.0	7Z	

Note 1: Dimension of coupling of motor flange code (0V) includes tolerance (+0.012 ~ +0.023)

Note 2: Dimensions and mass shown in the above figures are subject to change without prior notification.

Dimension Drawings

Frame Size: P120
 Reduction Ratio: 1/5
 Flange Shaft



Nomenclature
 ANFX-P120F Motor flange code Backlash — Reduction ratio (5)

3 min: L3
 15 min: LD

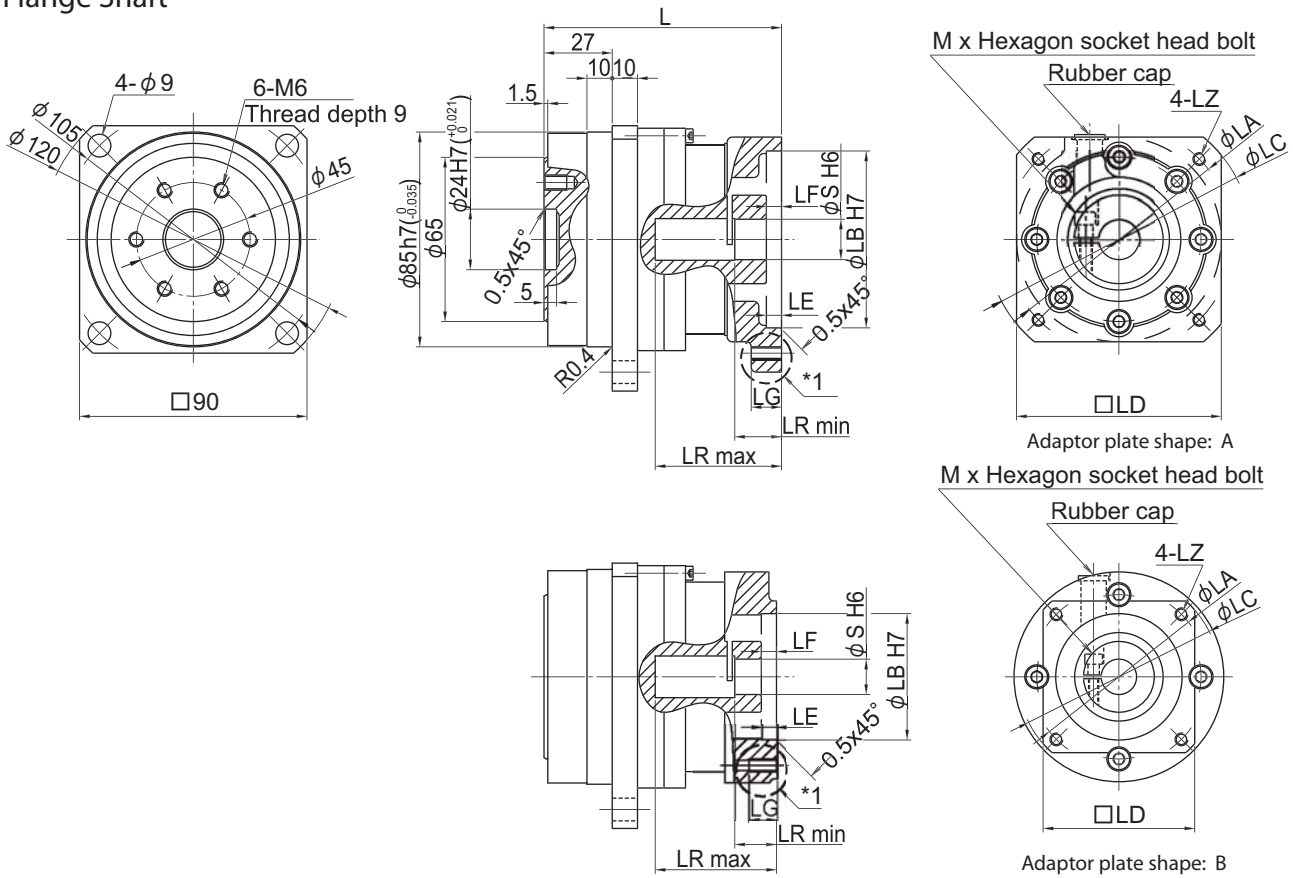
Motor flange code	L	LA	LB	LC	LD	LE	LF	Dimension		*1	Adaptor plate shape	LZ	LR		S	M	Mass [kg]	Motor flange code
								LG	Shape				max	min				
0U	94	90	70	105	81	6	6	12	Through hole	A	M5	50	18.5	16	M5	2.3	0U	
7S		90	70	105	81	6	6	12	Through hole		M5	50	18.5	19	M5	2.2	7S	
7P		90	70	105	81	6	6	12	Through hole		M6	50	18.5	16	M5	2.3	7P	
1G		90	70	105	81	6	6	12	Through hole		M6	50	18.5	19	M5	2.4	1G	
0V ^{Note2}	107.5	100	80	120	90	5	19.5	12	Through hole		M6	63.5	30	14	M4	2.4	0V ^{Note2}	
8E		100	80	120	90	5	19.5	12	Through hole		M6	63.5	32	16	M5	2.4	8E	
7V		100	80	120	90	5	19.5	12	Through hole		M6	63.5	32	19	M5	2.3	7V	
1L	120.5	115	95	135	100	6	17	16	Through hole		M6	46	31.5	24	M6	2.7	1L	
7A		115	95	135	100	6	19.5	16	Through hole		M8	63.5	32	16	M5	2.5	7A	
7B	107.5	115	95	135	100	6	19.5	16	Through hole		M8	63.5	32	19	M5	2.4	7B	
0W		115	95	135	100	6	17	16	Through hole		M8	46	31.5	22	M6	2.8	0W	
7Y	120.5	115	95	135	100	6	17	16	Through hole		M8	46	31.5	24	M6	2.7	7Y	
0Y		135	110	165	120	7	17	16	Through hole		M8	46	31.5	22	M6	2.9	0Y	
7R	110.5	145	110	165	120	7	22.5	16	Through hole		M8	66.5	35	16	M5	2.6	7R	
7X		145	110	165	120	7	22.5	16	Through hole		M8	66.5	35	19	M5	2.5	7X	
1S	145.5	145	110	165	120	7	42	16	Through hole		M8	71	55	22	M6	3.0	1S	
7Z		145	110	165	120	7	42	16	Through hole	M8	71	55	24	M6	3.0	7Z		

Note 1: Dimension of coupling of motor flange code (0V) includes tolerance (+0.012 ~ +0.023)

Note 2: Dimensions and mass shown in the above figures are subject to change without prior notification.

Dimension Drawings

Frame Size: P120
 Reduction Ratio: 1/9
 Flange Shaft



Nomenclature
 ANFX-P120F

Motor flange code Backlash Reduction ratio (9)

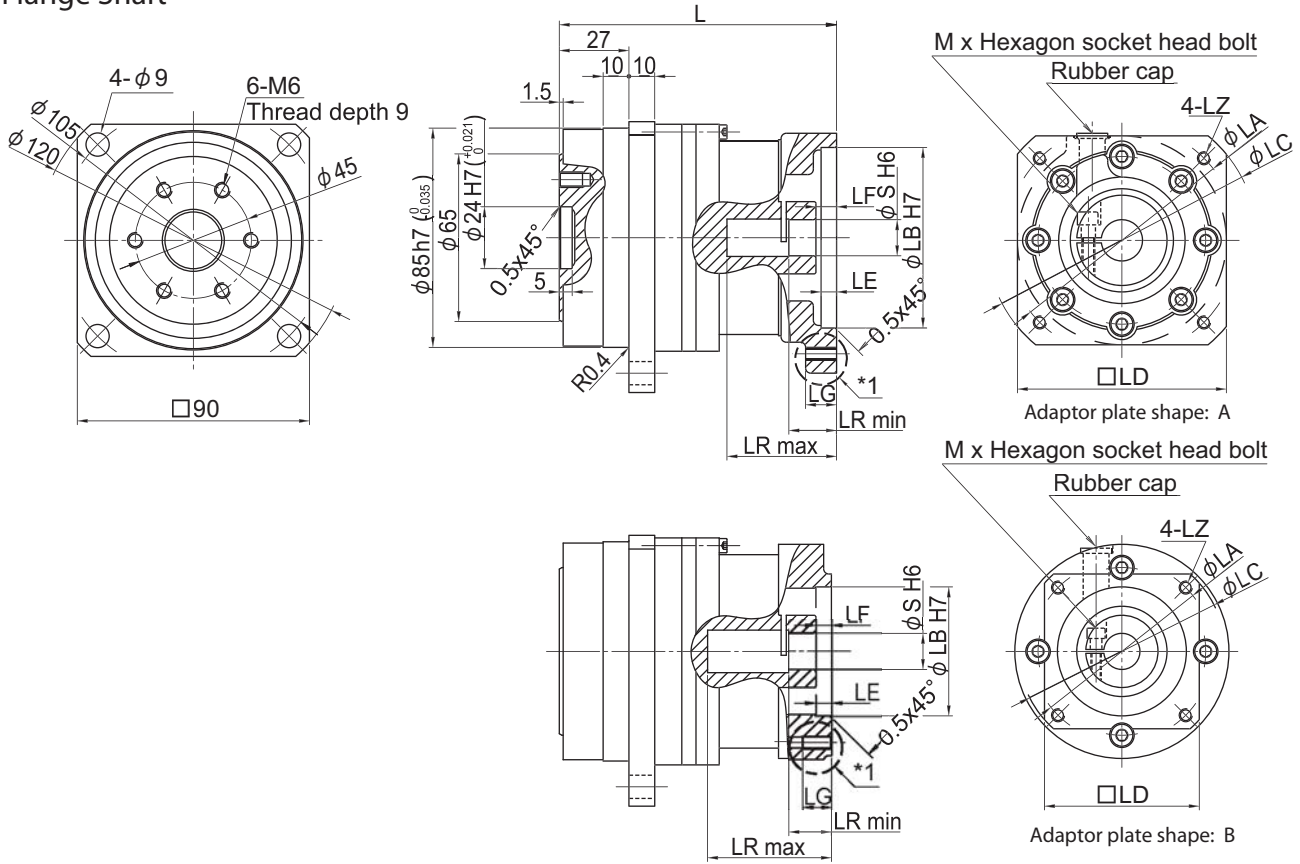
3 min: L3
 15 min: LD

Motor flange code	L	LA	LB	LC	LD	LE	LF	Dimension		*1	Adaptor plate shape	LZ	LR		S	M	Mass [kg]	Motor flange code
								LG	Shape				max	min				
2R	92	70	50	80	60	6	6	11	Useful thread length		B	M5	48	16.5	14	M4	2.3	2R
0U	94	90	70	105	81	6	6	12	Through hole		A	M5	50	18.5	16	M5	2.3	0U
7S		90	70	105	81	6	6	12	Through hole			M5	50	18.5	19	M5	2.2	7S
7P		90	70	105	81	6	6	12	Through hole			M6	50	18.5	16	M5	2.3	7P
1G		90	70	105	81	6	6	12	Through hole			M6	50	18.5	19	M5	2.2	1G
2J		100	80	120	90	5	21.5	12	Through hole			M6	63.5	32	10	M4	2.4	2J
0V ^{Note2}	107.5	100	80	120	90	5	19.5	12	Through hole		M6	63.5	30	14	M4	2.2	0V ^{Note2}	
8E		100	80	120	90	5	19.5	12	Through hole		M6	63.5	32	16	M5	2.4	8E	
7V		100	80	120	90	5	19.5	12	Through hole		M6	63.5	32	19	M5	2.3	7V	
1L		120.5	115	95	135	100	6	17	16	Through hole		M6	46	31.5	24	M6	2.7	1L
7A	107.5	115	95	135	100	6	19.5	16	Through hole		M8	63.5	32	16	M5	2.5	7A	
7B		115	95	135	100	6	19.5	16	Through hole		M8	63.5	32	19	M5	2.4	7B	
0W	120.5	115	95	135	100	6	17	16	Through hole		M8	46	31.5	22	M6	2.8	0W	
7Y		115	95	135	100	6	17	16	Through hole		M8	46	31.5	24	M6	2.7	7Y	
0Y		135	110	165	120	7	17	16	Through hole		M8	46	31.5	22	M6	2.9	0Y	
7R	110.5	145	110	165	120	7	22.5	16	Through hole		M8	66.5	35	16	M5	2.6	7R	
7X		145	110	165	120	7	22.5	16	Through hole		M8	66.5	35	19	M5	2.6	7X	
1S	145.5	145	110	165	120	7	42	16	Through hole		M8	71	55	22	M6	3.1	1S	
7Z		145	110	165	120	7	42	16	Through hole		M8	71	55	24	M6	3.0	7Z	

Note 1: Dimension of coupling of motor flange code (0V) includes tolerance (+0.012 ~ +0.023)
 Note 2: Dimensions and mass shown in the above figures are subject to change without prior notification.

Dimension Drawings

Frame Size: P120
 Reduction Ratio: 1/15
 Flange Shaft



Nomenclature
 ANFX-P120F Motor flange code Backlash — Reduction ratio (15)
3 min: L3
15 min: LD

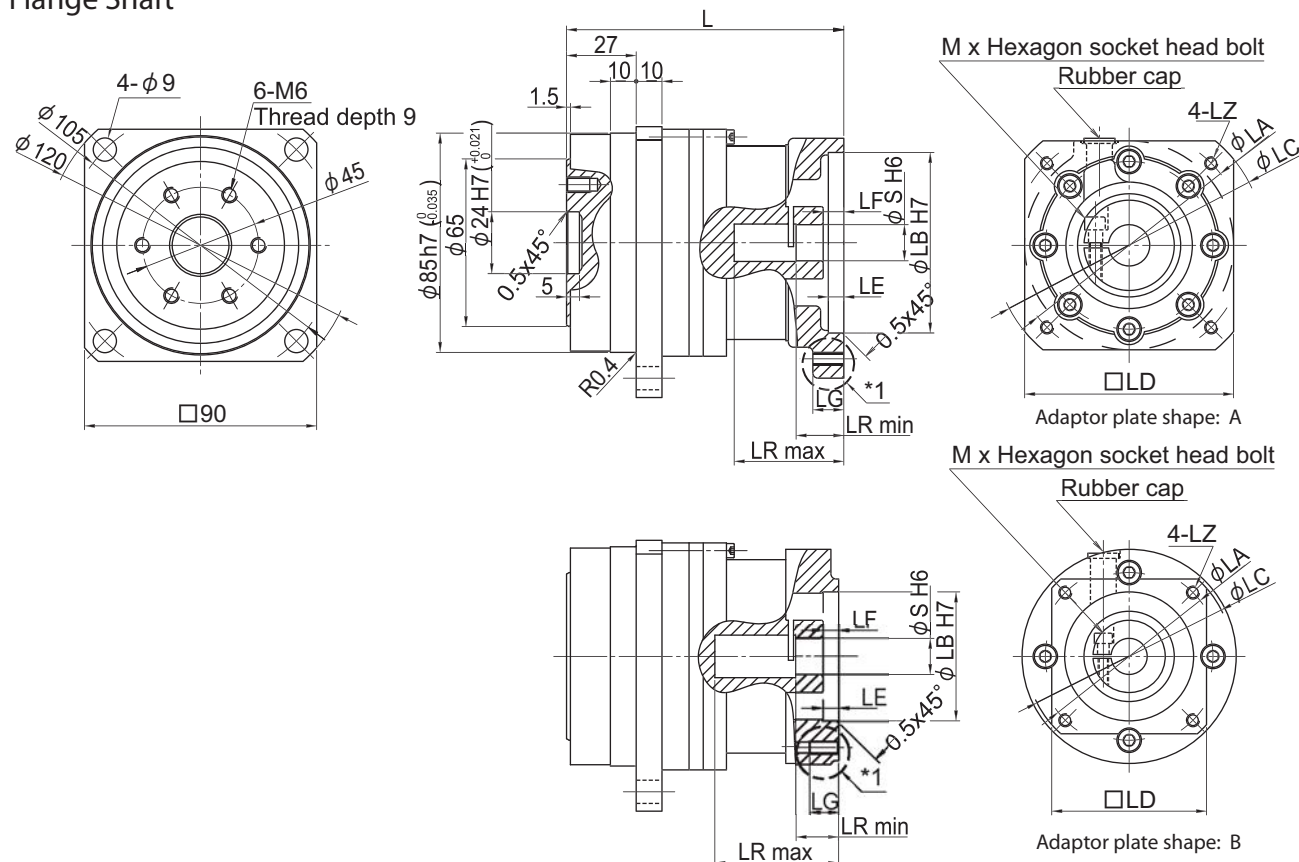
Motor flange code	L	LA	LB	LC	LD	LE	LF	LG	*1	Adaptor plate shape	LZ	LR		S	M	Mass [kg]	Motor flange code
												max	min				
2P	105.5	70	50	80	60	6	6	9	Useful thread length	B	M4	40.5	16.5	14	M4	2.6	2P
2R		70	50	80	60	6	6	11	Useful thread length		M5	40.5	16.5	14	M4	2.6	2R
8B	107.5	90	70	105	81	6	8	12	Through hole	A	M5	42.5	18.5	14	M4	2.6	8B
0U		90	70	105	81	6	6	12	Through hole		M5	42.5	18.5	16	M5	2.7	0U
7S		90	70	105	81	6	6	12	Through hole		M5	42.5	18.5	19	M5	2.7	7S
2T		90	70	105	81	6	8	12	Through hole		M6	4v2.5	18.5	14	M4	2.6	2T
7P		90	70	105	81	6	6	12	Through hole		M6	42.5	18.5	16	M5	2.7	7P
1G		90	70	105	81	6	6	12	Through hole		M6	42.5	18.5	19	M5	2.7	1G
2J		100	80	120	90	5	21.5	12	Through hole		M6	56	32	10	M4	2.8	2J
0V ^{Note2}	121	100	80	120	90	5	19.5	12	Through hole	A	M6	56	30	14	M4	2.7	0V ^{Note2}
8E		100	80	120	90	5	19.5	12	Through hole		M6	56	32	16	M5	2.8	8E
7V		100	80	120	90	5	19.5	12	Through hole		M6	56	32	19	M5	2.8	7V
1L	134	115	95	135	100	6	17	16	Through hole	A	M6	46	31.5	24	M6	3.2	1L
7A	121	115	95	135	100	6	19.5	16	Through hole		M8	56	32	16	M5	2.9	7A
0W	134	115	95	135	100	6	17	16	Through hole		M8	46	31.5	22	M6	3.5	0W
7Y		115	95	135	100	6	17	16	Through hole		M8	46	31.5	24	M6	3.2	7Y
0Y	124	135	110	165	120	7	17	16	Through hole		M8	46	31.5	22	M6	3.4	0Y
7R		145	110	165	120	7	22.5	16	Through hole		M8	59	35	16	M5	3.0	7R
7X	124	145	110	165	120	7	22.5	16	Through hole		M8	59	35	19	M5	3.0	7X
7Z		159	145	110	165	120	7	42	16		Through hole	M8	71	56.5	24	M6	3.5

Note 1: Dimension of coupling of motor flange code (0V) includes tolerance (+0.012 ~ +0.023)

2: Dimensions and mass shown in the above figures are subject to change without prior notification.

Dimension Drawings

Frame Size: P120
 Reduction Ratio: 1/21
 Flange Shaft



Nomenclature
 ANFX-P120F Motor flange code Backlash Reduction ratio (21)

3 min: L3
 15 min: LD

Motor flange code	L	LA	LB	LC	LD	LE	LF	LG	*1	Adaptor plate shape	LZ	LR		S	M	Mass [kg]	Motor flange code
												max	min				
2P	105.5	70	50	80	60	6	6	9	Useful thread length	B	M4	40.5	16.5	14	M4	2.6	2P
2H		70	50	80	60	6	6	11	Useful thread length		M5	40.5	16.5	9	M4	2.6	2H
2R		70	50	80	60	6	6	11	Useful thread length		M5	40.5	16.5	14	M4	2.6	2R
8B	107.5	90	70	105	81	6	8	12	Through hole	A	M5	42.5	18.5	14	M4	2.6	8B
0U		90	70	105	81	6	6	12	Through hole		M5	42.5	18.5	16	M5	2.7	0U
7S		90	70	105	81	6	6	12	Through hole		M5	42.5	18.5	19	M5	2.7	7S
2T		90	70	105	81	6	8	12	Through hole		M6	42.5	18.5	14	M4	2.6	2T
7P		90	70	105	81	6	6	12	Through hole		M6	42.5	18.5	16	M5	2.7	7P
1G		90	70	105	81	6	6	12	Through hole		M6	42.5	18.5	19	M5	2.7	1G
2J		100	80	120	90	5	21.5	12	Through hole		M6	56	32	10	M4	2.8	2J
0V ^{Note2}	121	100	80	120	90	5	19.5	12	Through hole	A	M6	56	30	14	M4	2.8	0V ^{Note2}
8E		100	80	120	90	5	19.5	12	Through hole		M6	56	32	16	M5	2.8	8E
7A		115	95	135	100	6	19.5	16	Through hole		M8	56	32	16	M5	2.9	7A
7R	124	145	110	165	120	7	22.5	16	Through hole	A	M8	59	35	16	M5	3.0	7R
7X		145	110	165	120	7	22.5	16	Through hole		M8	59	35	19	M5	3.0	7X
7Z		159	145	110	165	120	7	42	16		Through hole	M8	71	56.5	24	M6	3.5

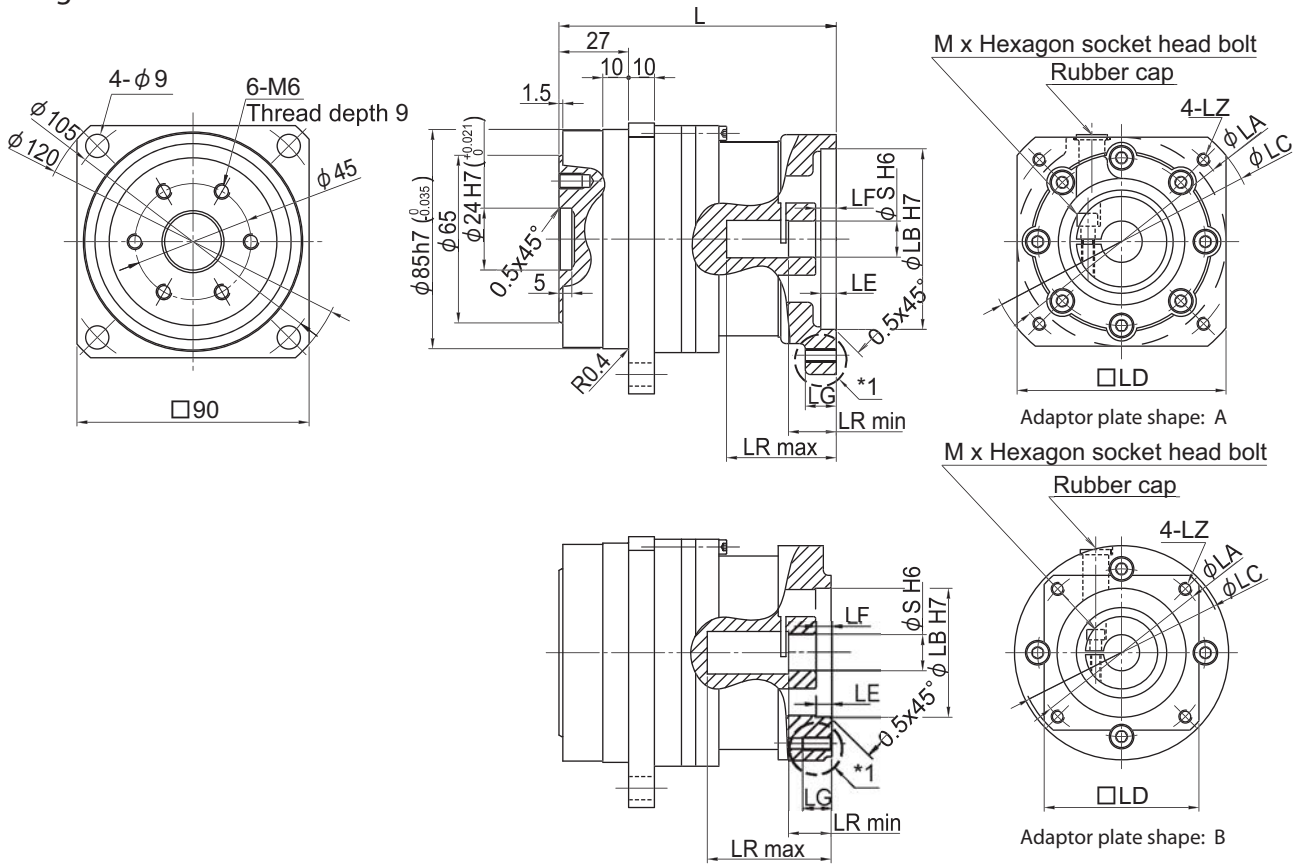
Note 1: Dimension of coupling of motor flange code (0V) includes tolerance (+0.012 ~ +0.023)

Note 2: Dimensions and mass shown in the above figures are subject to change without prior notification.

P1 Type

Dimension Drawings

Frame Size: P120
 Reduction Ratio: 1/33
 Flange Shaft



Nomenclature
 ANFX-P120F Motor flange code Backlash Reduction ratio (33)

3 min: L3
 15 min: LD

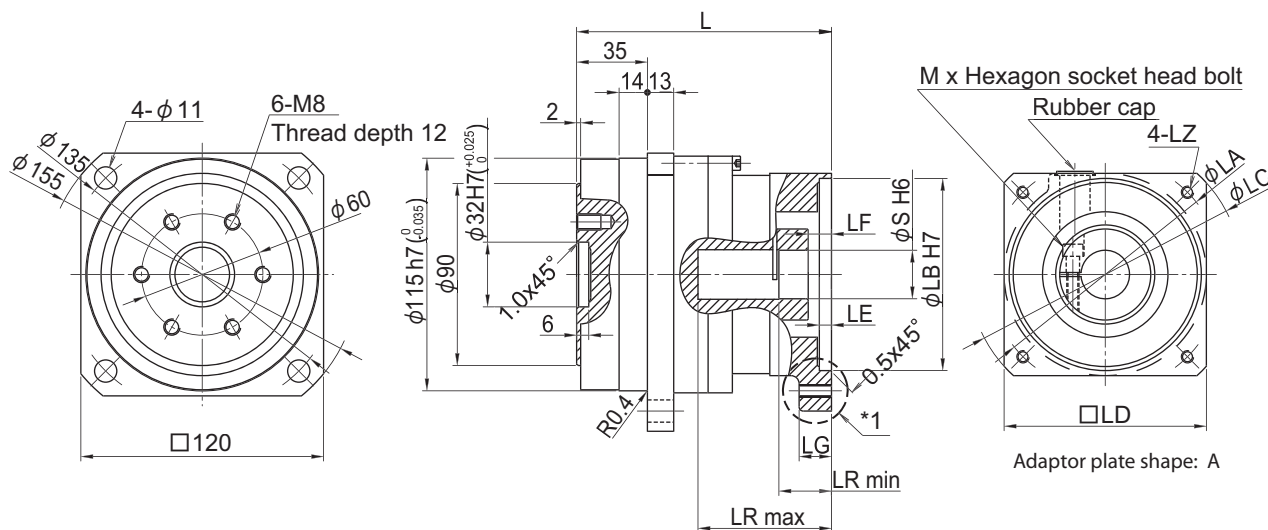
Motor flange code	L	LA	LB	LC	LD	LE	LF	Dimension LG	*1	Adaptor plate shape	LZ	LR		S	M	Mass [kg]	Motor flange code
												max	min				
2P	105.5	70	50	80	60	6	6	9	Useful thread length	B	M4	40.5	16.5	14	M4	2.7	2P
2R		70	50	80	60	6	6	11	Useful thread length		M5	40.5	16.5	14	M4	2.7	2R
8B	107.5	90	70	105	81	6	8	12	Through hole	A	M5	42.5	18.5	14	M4	2.7	8B
2T		90	70	105	81	6	8	12	Through hole		M6	42.5	18.5	14	M4	2.7	2T
2J	165	100	80	120	90	5	21.5	12	Through hole		M6	56	32	10	M4	3.0	2J

Note 1: Dimensions and mass shown in the above figures are subject to change without prior notification.

Dimension Drawings

Frame Size: P130
 Reduction Ratio: 1/3.7
 Flange Shaft

P1 Type



Nomenclature
 ANFX-P130F Motor flange code Backlash — Reduction ratio (3.7)

3 min: L3
 15 min: LD

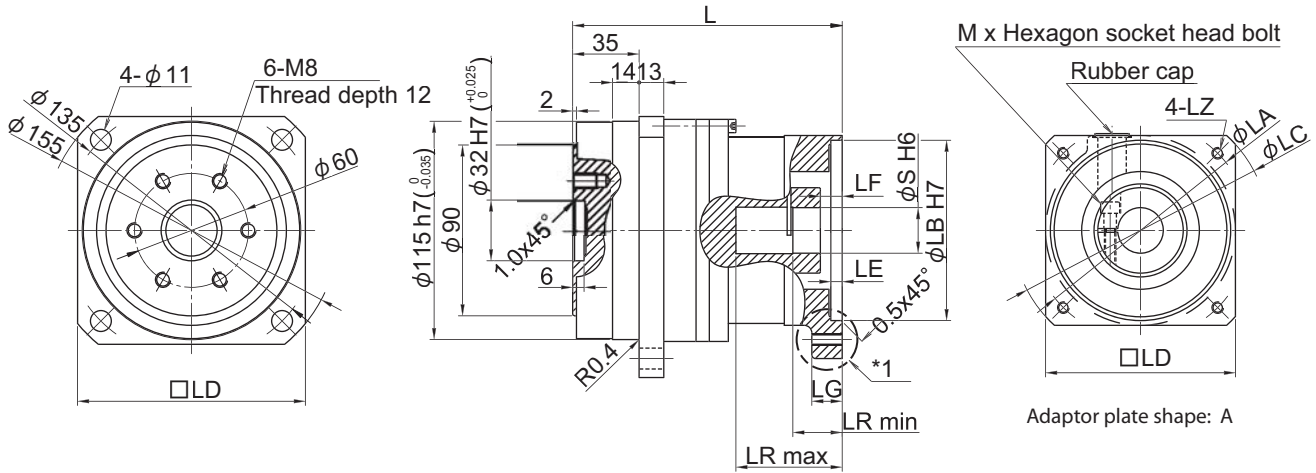
Motor flange code	L	LA	LB	LC	LD	LE	LF	Dimension		*1 Adaptor plate shape	LZ	LR		S	M	Mass [kg]	Motor flange code
								LG	Shape			max	min				
1S	134	145	110	165	120	7	19.5	16	Through hole	A	M8	74	34	22	M6	6.7	1S
7Z		145	110	165	120	7	19.5	16	Through hole		M8	74	34	24	M6	6.6	7Z
1T		145	110	165	120	7	19.5	16	Through hole		M8	74	34	28	M6	5.9	1T
0X ^{Note2}	179.5	200	114.3	230	180	6	41.5	24	Through hole		M12	81	60	35	M8	7.6	0X ^{Note2}

Note 1: Dimension of coupling of motor flange code (0X) includes tolerance (+0.010 ~ +0.026)

Note 2: Dimensions and mass shown in the above figures are subject to change without prior notification.

Dimension Drawings

Frame Size: P130
 Reduction Ratio: 1/11
 Flange Shaft



Nomenclature
 ANFX-P130F Motor flange code Backlash — Reduction ratio (11)

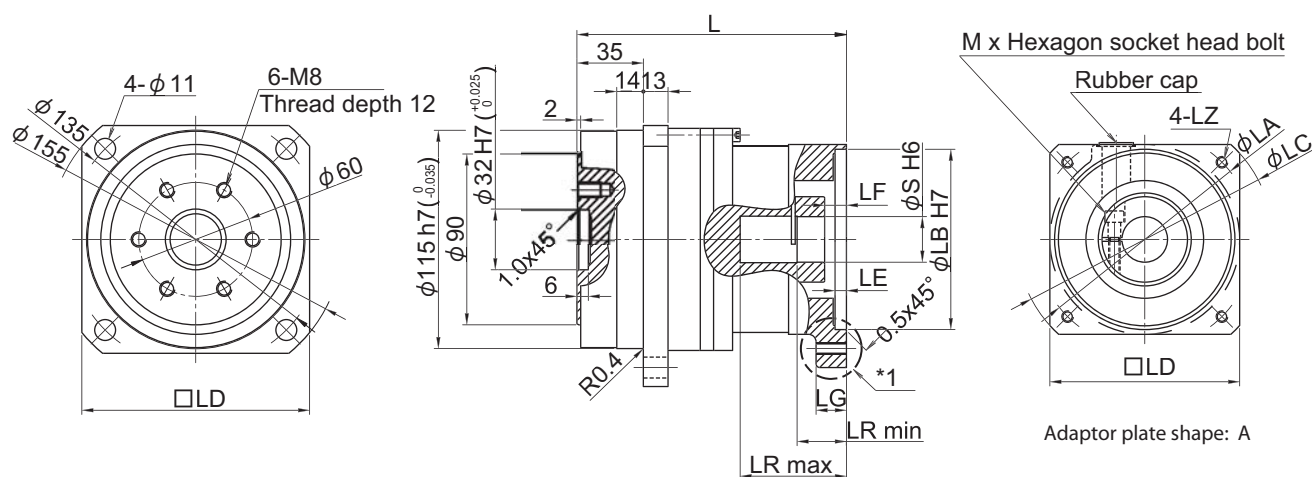
3 min: L3
15 min: LD

Motor flange code	L	LA	LB	LC	LD	LE	LF	Dimension		*1	Adaptor plate shape	LZ	LR		S	M	Mass [kg]	Motor flange code
								LG	Shape				max	min				
1L	142	115	95	135	100	6	11.5	16	Through hole	A	M6	56	26	24	M6	6.6	1L	
7B		115	95	135	100	6	13.5	16	Through hole		M8	56	26	19	M5	6.4	7B	
0W		115	95	135	100	6	11.5	16	Through hole		M8	56	26	22	M6	6.5	0W	
7Y		115	95	135	100	6	11.5	16	Through hole		M8	56	26	24	M6	6.6	7Y	
0Y	150	135	110	165	120	7	19.5	16	Through hole		M8	74	34	22	M6	7.1	0Y	
7X		145	110	165	120	7	21.5	16	Through hole		M8	64	34	19	M5	6.7	7X	
1S		145	110	165	120	7	19.5	16	Through hole		M8	64	34	22	M6	6.2	1S	
7Z		145	110	165	120	7	19.5	16	Through hole		M8	64	34	24	M6	6.9	7Z	

Note 1: Dimensions and mass shown in the above figures are subject to change without prior notification.

Dimension Drawings

Frame Size: P130
 Reduction Ratio: 1/15
 Flange Shaft



Nomenclature
 ANFX-P130F Motor flange code Backlash — Reduction ratio (15)

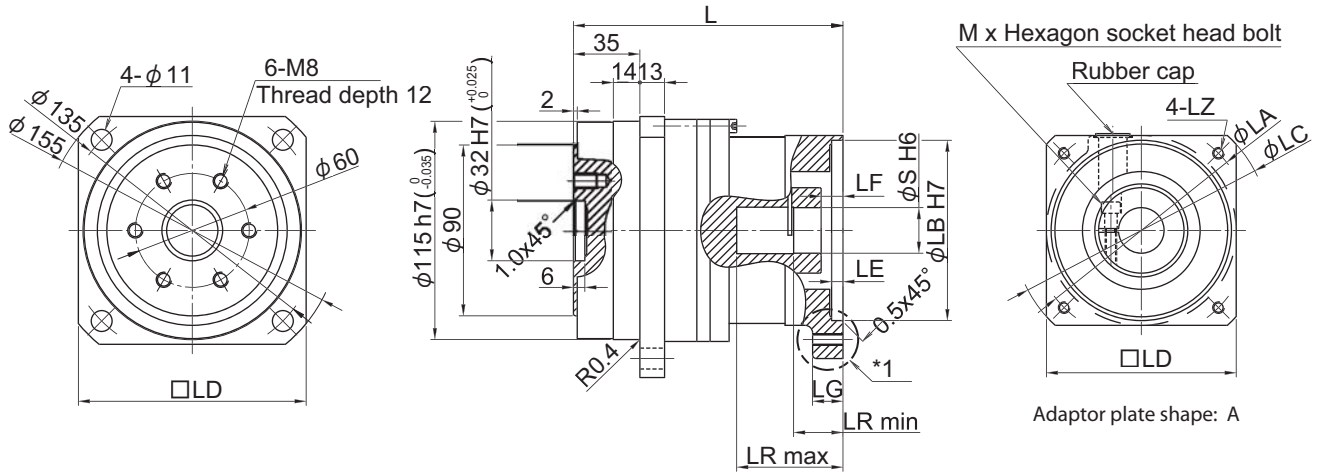
3 min: L3
 15 min: LD

Motor flange code	L	LA	LB	LC	LD	LE	LF	Dimension		*1	Adaptor plate shape	LZ	LR		S	M	Mass [kg]	Motor flange code
								LG	Shape				max	min				
1L	142	115	95	135	100	6	11.5	16	Through hole	A	M6	56	26	24	M6	6.6	1L	
7B		115	95	135	100	6	13.5	16	Through hole		M8	56	26	19	M5	6.4	7B	
0W		115	95	135	100	6	11.5	16	Through hole		M8	56	26	22	M6	6.5	0W	
7Y		115	95	135	100	6	11.5	16	Through hole		M8	56	26	24	M6	6.6	7Y	
0Y	150	135	110	165	120	7	19.5	16	Through hole		M8	74	34	22	M6	7.1	0Y	
7X		145	110	165	120	7	21.5	16	Through hole		M8	64	34	19	M5	6.7	7X	
1S		145	110	165	120	7	19.5	16	Through hole		M8	64	34	22	M6	6.2	1S	
7Z		145	110	165	120	7	19.5	16	Through hole		M8	64	34	24	M6	6.9	7Z	

Note 1: Dimensions and mass shown in the above figures are subject to change without prior notification.

Dimension Drawings

Frame Size: P130
 Reduction Ratio: 1/21
 Flange Shaft



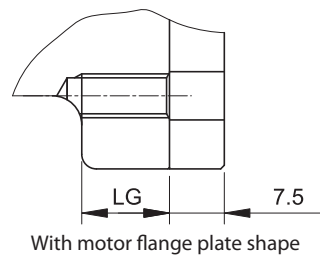
Nomenclature
 ANFX-P130F Motor flange code Backlash — Reduction ratio (21)

3 min: L3
 15 min: LD

Motor flange code	L	LA	LB	LC	LD	LE	LF	Dimension LG	*1 Shape	Adaptor plate shape	LZ	LR		S	M	Mass [kg]	Motor flange code
												max	min				
8E ^{Note2}	142	100	80	120	90	5	13.5	12	Through hole	A	M6	56	26	16	M5	6.6	8E ^{Note2}
7V ^{Note2}												19	M5	6.5	7V ^{Note2}		
1L												24	M6	6.5	1L		
7B												19	M5	6.5	7B		
0W												22	M6	7.2	0W		
7Y												24	M6	6.5	7Y		
0Y	150	135	110	165	120	7	19.5	16	Through hole	A	M8	34	22	M6	7.1	0Y	
7X												19	M5	6.8	7X		
1S												22	M6	7.5	1S		
7Z												24	M6	6.9	7Z		

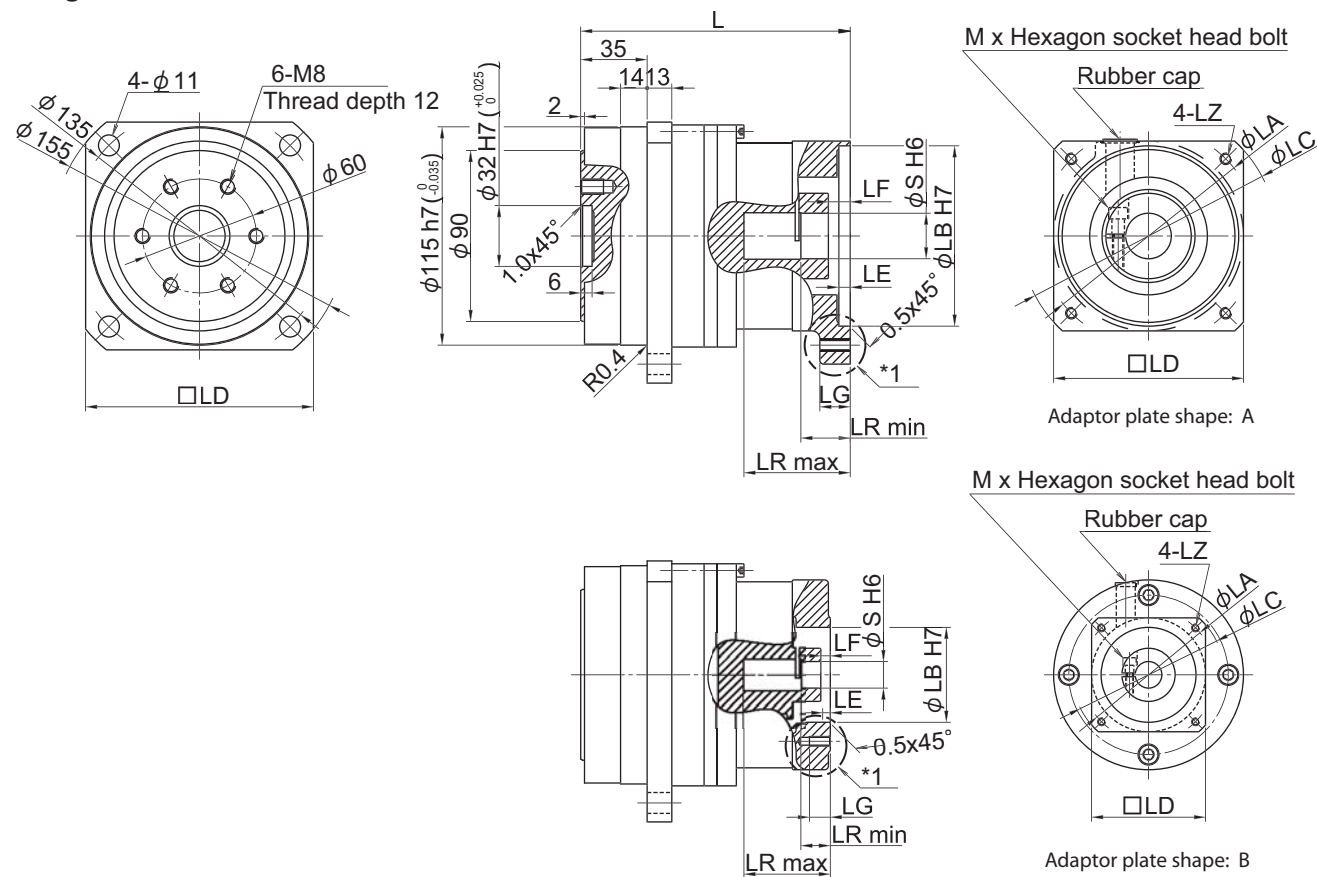
Note 1: Shape of flange plate for motor

Note 2: Dimensions and mass shown in the above figures are subject to change without prior notification.



Dimension Drawings

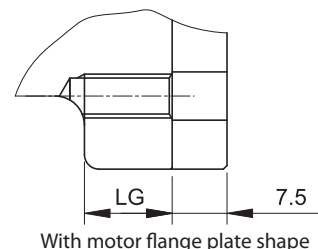
Frame Size: P130
 Reduction Ratio: 1/33
 Flange Shaft



Nomenclature
 ANFX-P130F [Motor flange code] [Backlash] — Reduction ratio (33)
 3 min: L3
 15 min: LD

Motor flange code	L	LA	LB	LC	LD	LE	LF	Dimension LG	*1	Adaptor plate shape	LZ	LR		S	M	Mass [kg]	Motor flange code
												max	min				
2R	131.5	70	50	80	60	4	5	11	Useful thread length	B	M5	45.5	15.5	14	M4	6.5	2R
0U	134.5	90	70	120	90	6	6	11	Useful thread length		M5	48.5	18.5	16	M5	6.5	0U
7S		90	70	120	90	6	6	11	Useful thread length		M5	48.5	18.5	19	M5	6.5	7S
7P		90	70	120	90	6	6	13	Useful thread length		M6	48.5	18.5	16	M5	6.5	7P
1G		90	70	120	90	6	6	13	Useful thread length		M6	48.5	18.5	19	M5	6.5	1G
2J		142	100	80	120	90	5	15.5	12	Through hole	A	M6	56	26	10	M4	6.6
0V	100		80	120	90	5	15.5	12	Through hole	M6		56	26	14	M4	6.6	0V
8E	100		80	120	90	5	13.5	12	Through hole	M6		56	26	16	M5	6.6	8E
7A	115		95	135	100	6	13.5	16	Through hole	M8		56	26	16	M5	6.6	7A
7R	145		110	165	120	7	21.5	16	Through hole	M8		64	34	16	M5	6.9	7R
7X	150	145	110	165	120	7	21.5	16	Through hole	M8		64	34	19	M5	6.9	7X
7Z		145	110	165	120	7	21.5	16	Through hole	M8		64	36	24	M6	6.9	7Z

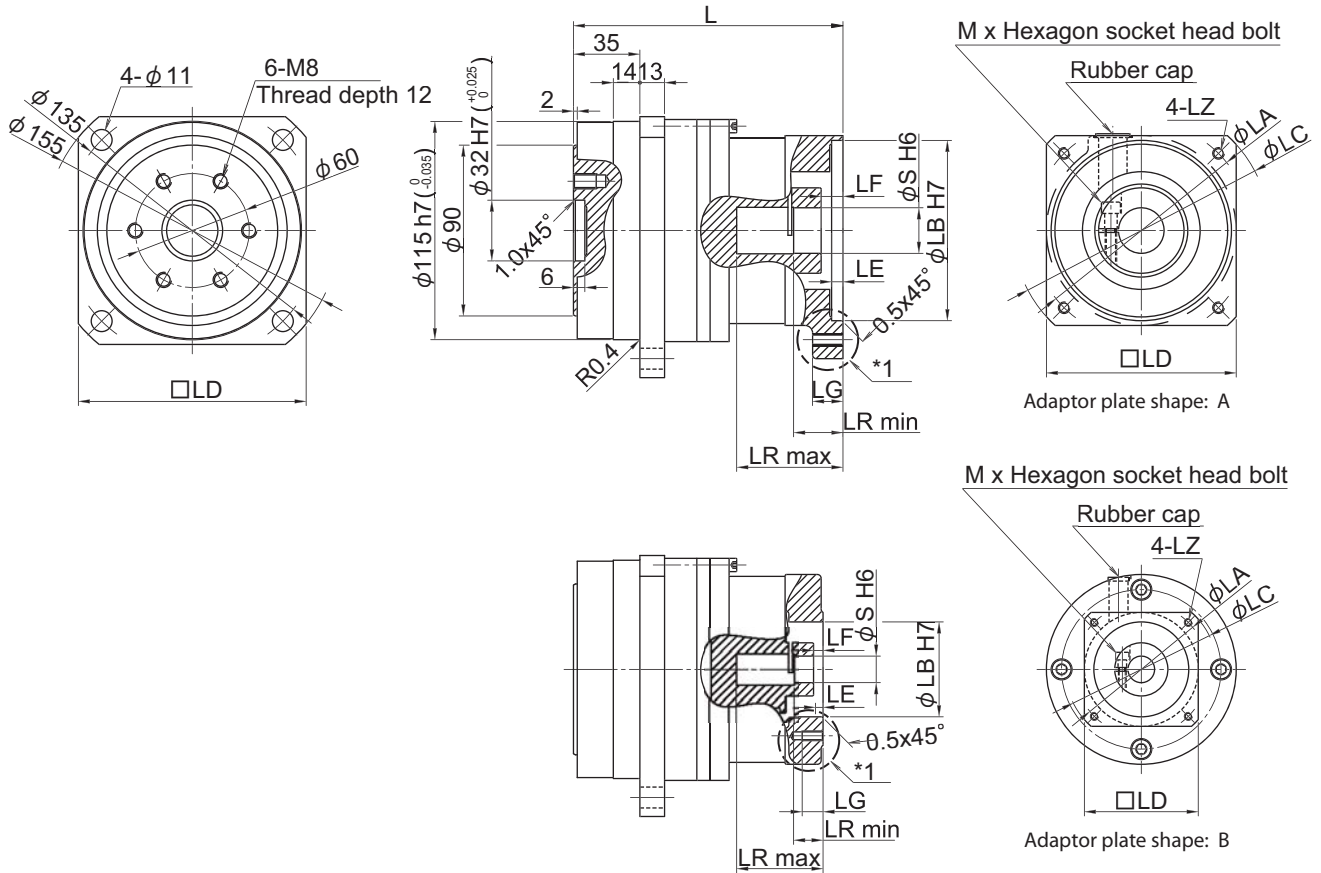
Note 1: Dimension of coupling of motor flange code (0V) includes tolerance (+0.010 ~ +0.026)
 2: Shape of flange plate for motor
 3: Dimensions and mass shown in the above figures are subject to change without prior notification.



P1 Type

Dimension Drawings

Frame Size: P130
 Reduction Ratio: 1/45
 Flange Shaft



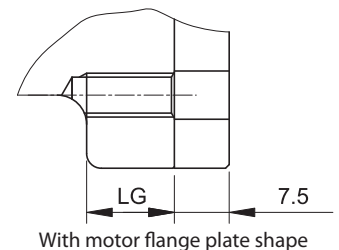
Nomenclature
 ANFX-P130F [Motor flange code] [Backlash] — Reduction ratio (45)
 3 min: L3
 15 min: LD

Motor flange code	L	LA	LB	LC	LD	LE	LF	Dimension LG	*1	Adaptor plate shape	LZ	LR		S	M	Mass [kg]	Motor flange code
												max	min				
2R	131.5	70	50	80	60	4	5	11	Useful thread length	B	M5	45.5	15.5	14	M4	6.5	2R
0U	134.5	90	70	120	90	6	6	11	Useful thread length		M5	48.5	18.5	16	M5	6.5	0U
7S		90	70	120	90	6	6	11	Useful thread length		M5	48.5	18.5	19	M5	6.5	7S
7P		90	70	120	90	6	6	13	Useful thread length		M6	48.5	18.5	16	M5	6.5	7P
1G		90	70	120	90	6	6	13	Useful thread length		M6	48.5	18.5	19	M5	6.5	1G
2J ^{Note2}		142	100	80	120	90	5	15.5	12	Through hole	M6	56	26	10	M4	6.6	2J ^{Note2}
0V ^{Note2,3}	100		80	120	90	5	15.5	12	Through hole	M6	56	26	14	M4	6.6	0V ^{Note2,3}	
8E ^{Note2}	100		80	120	90	5	13.5	12	Through hole	M6	56	26	16	M5	6.6	8E ^{Note2}	
7A	115		95	135	100	6	13.5	16	Through hole	M8	56	26	16	M5	6.6	7A	
7R	145		110	165	120	7	21.5	16	Through hole	M8	64	34	16	M5	6.9	7R	
7X	150	145	110	165	120	7	21.5	16	Through hole	M8	64	34	19	M5	6.9	7X	
7Z		145	110	165	120	7	21.5	16	Through hole	M8	64	36	24	M6	6.9	7Z	

Note 1: Dimension of coupling of motor flange code (0V) includes tolerance (+0.012 ~ +0.023)

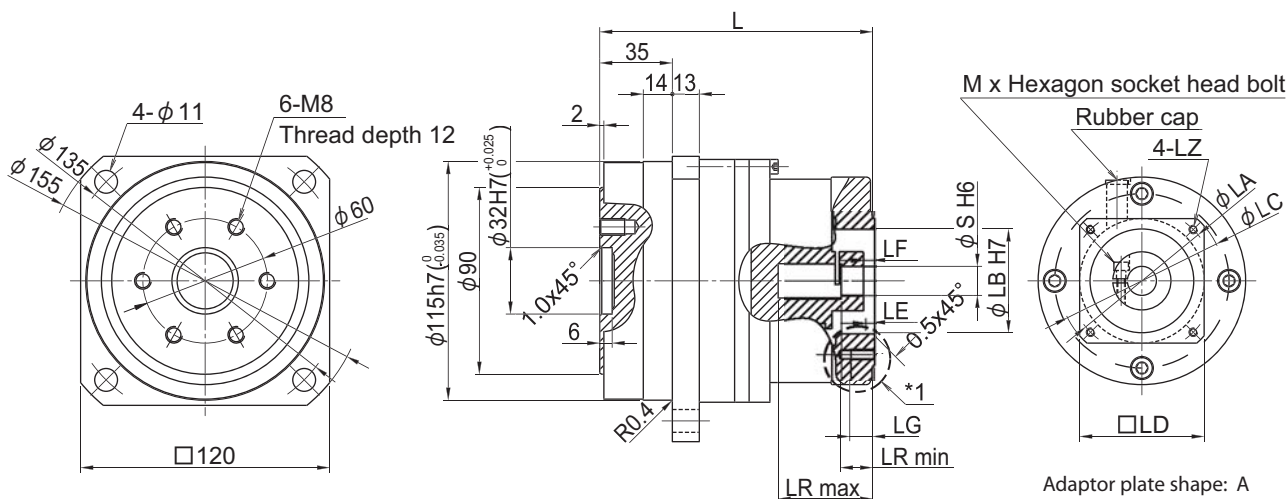
2: Shape of flange plate for motor

3: Dimensions and mass shown in the above figures are subject to change without prior notification.



Dimension Drawings

Frame Size: P130
 Reduction Ratio: 1/81
 Flange Shaft



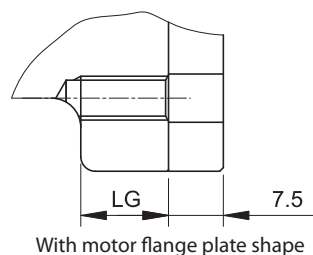
Nomenclature
 ANFX-P130F Motor flange code Backlash — Reduction ratio (81)

3 min: L3
 15 min: LD

Motor flange code	L	LA	LB	LC	LD	LE	LF	Dimension LG	*1	Adaptor plate shape	LZ	LR		S	M	Mass [kg]	Motor flange code
												max	min				
2L	131.5	70	50	80	60	4	5	9	Useful thread length	B	M4	45.5	15.5	11	M4	6.5	2L
2P		70	50	80	60	4	5	9			M4	45.5	15.5	14	M4	6.5	2P
2H		70	50	80	60	4	5	11			M5	45.5	15.5	9	M4	6.5	2H
2R		70	50	80	60	4	5	11			M5	45.5	15.5	14	M4	6.5	2R
8A	134.5	90	70	120	90	6	8	11	Useful thread length	B	M5	48.5	18.5	11	M4	6.6	8A
8B		90	70	120	90	6	8	11			M5	48.5	18.5	14	M4	6.6	8B
2T		90	70	120	90	6	8	13			M6	48.5	18.5	14	M4	6.6	2T
2J ^{Note2}		142	100	80	120	90	5	15.5			12	Through hole	A	M6	56	26	10

Note 1: Shape of flange plate for motor

Note 2: Dimensions and mass shown in the above figures are subject to change without prior notification.



Durability Check of Output Shaft Part

P1 Type of IB Series uses angular bearing to allow high maximum load moment.

Make sure that your load moment do not exceed the allowable value through the following calculation.

1. Check Maximum Load Moment

$$M_{max} = \frac{F_{rmax} \cdot (L_c + L_r) + F_{amax} \cdot L_a}{10^3} \quad \dots (1)$$

Make sure that: $M_{max} \leq M_c$

Table 4 Symbol in Formula (1)

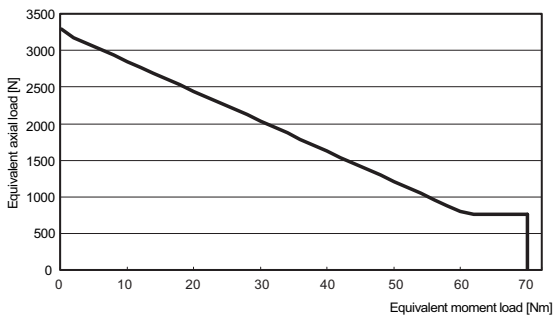
F_{rmax}	Maximum radial load during the operation pattern	N [kgf]	Refer to Fig. 6.
F_{amax}	Maximum axial load during the operation pattern	N [kgf]	
L_r, L_c, L_a	Load application location	mm	

Table 5 Allowable Moment for P1 Type

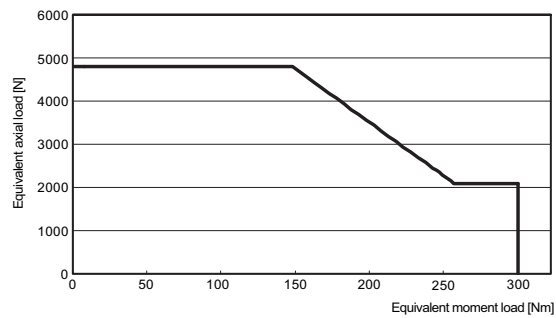
Frame size	Allowable moment M_c	
	Nm	kgfm
P110	70	7.13
P120	300	30.6
P130	620	63.2

Table 6 Dimensions

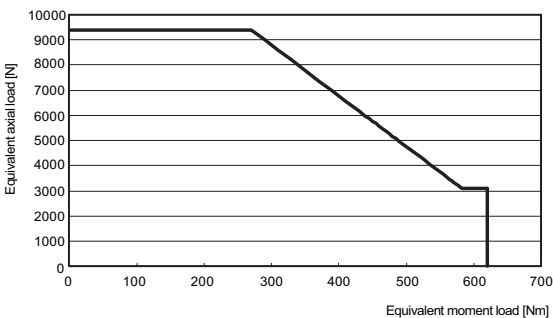
Frame size	Dimension [mm]				
	LB	LC	S	L	Z
P110	52.76	42.38	2	28	19.62
P120	82.56	64.53	2	42	25.97
P130	109.02	86.26	4	82	63.24



P110 Allowable Load Diagram for Moment and Axial Load



P120 Allowable Load Diagram for Moment and Axial Load



P130 Allowable Load Diagram for Moment and Axial Load

- Consult us when the radial load is exerted on the location exceeding the range of "L + S."
- Consult us when the value exceeds the range of allowable load. Units may sometimes be used without problem for some cases, depending on the direction of axial load and the leverage point of the load.

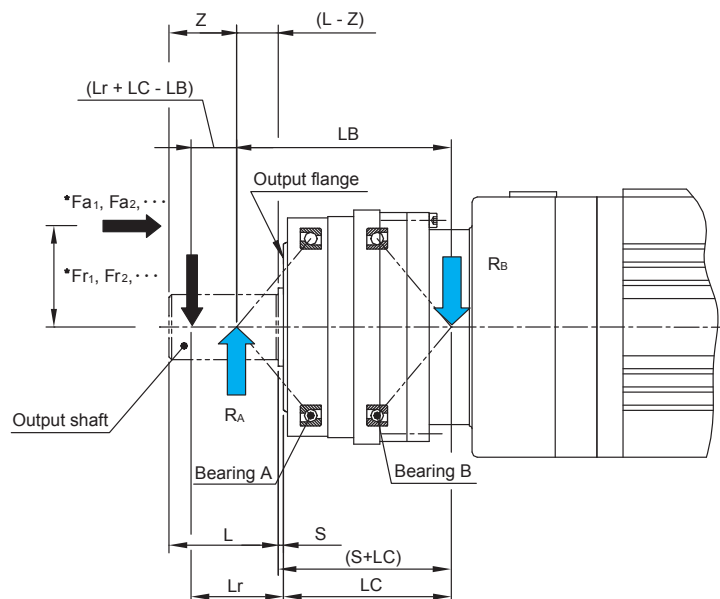


Fig. 5 External Load Effect diagram

*: *Refer to Fig. 6.

Fig. 6 shows the load of each period in the specific operation pattern.

Durability Check of Output Shaft Part

P1 Type

2. Check Equivalent Load Bearing Lifetime

Check lifetime by converting to equivalent load when radial or axial load varies.

Equivalent radial load: F_{re}

$$F_{re} = \sqrt[3]{\frac{n_1 \cdot t_1 \cdot (|Fr_1|)^3 + n_2 \cdot t_2 \cdot (|Fr_2|)^3 + \dots + n_n \cdot t_n \cdot (|Fr_n|)^3}{n_1 \cdot t_1 + n_2 \cdot t_2 + \dots + n_n \cdot t_n}} \dots(2)$$

Equivalent axial load: F_{ae}

$$F_{ae} = \sqrt[3]{\frac{n_1 \cdot t_1 \cdot (|Fa_1|)^3 + n_2 \cdot t_2 \cdot (|Fa_2|)^3 + \dots + n_n \cdot t_n \cdot (|Fa_n|)^3}{n_1 \cdot t_1 + n_2 \cdot t_2 + \dots + n_n \cdot t_n}} \dots(3)$$

Equivalent output speed: Neo

$$Neo = \frac{n_1 \cdot t_1 + n_2 \cdot t_2 + \dots + n_n \cdot t_n}{t_1 + t_2 + \dots + t_n} \dots(4)$$

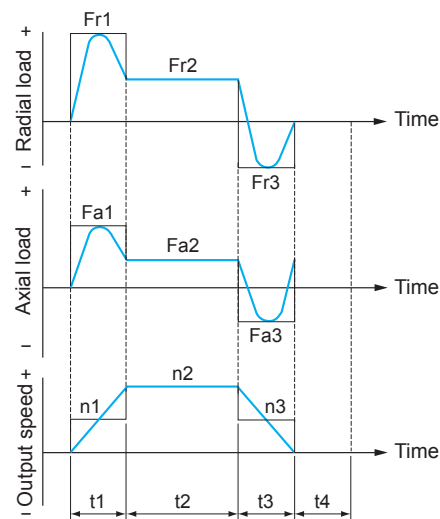




Fig. 6 Example of Load Fluctuation

Table 7 Axial Load Direction and Dynamic Equivalent Load Formula

Axial Load Direction	Load Condition	Bearing Category	Axial Load	Dynamic Equivalent Load
 (Applied to motor side)	$\frac{R_B}{2Y_2} + F_{ae} \geq \frac{R_A}{2Y_2}$	Bearing A	$F_{aA} = \frac{R_B}{2Y_2} + F_{ae}$	$P_A = X \cdot R_A + Y \cdot F_{aA}$ Note: When $P_A < R_A$, use $P_A = R_A$.
		Bearing B	-	$P_B = R_B$
	$\frac{R_B}{2Y_2} + F_{ae} < \frac{R_A}{2Y_2}$	Bearing A	-	$P_A = R_A$
		Bearing B	$F_{aB} = \frac{R_A}{2Y_2} - F_{ae}$	$P_B = X \cdot R_B + Y \cdot F_{aB}$ Note: When $P_B < R_B$, use $P_B = R_B$.
 (Applied to output side)	$\frac{R_B}{2Y_2} \leq \frac{R_A}{2Y_2} + F_{ae}$	Bearing A	-	$P_A = R_A$
		Bearing B	$F_{aB} = \frac{R_A}{2Y_2} + F_{ae}$	$P_B = X \cdot R_B + Y \cdot F_{aB}$ Note: When $P_B < R_A$, use $P_B = R_A$.
	$\frac{R_B}{2Y_2} > \frac{R_A}{2Y_2} + F_{ae}$	Bearing A	$F_{aA} = \frac{R_B}{2Y_2} - F_{ae}$	$P_A = X \cdot R_A + Y \cdot F_{aA}$ Note: When $P_A < R_A$, use $P_A = R_A$.
		Bearing B	-	$P_B = R_B$

Durability Check of Output Shaft Part

Table 8 Main Bearing Specification

Frame size	Dynamic rated load C	Load Factor				e
		X		Y		
	N (kgf)	$F_{aA} / R_A \geq e$ $F_{aB} / R_B \geq e$	$F_{aA} / R_A > e$ $F_{aB} / R_B > e$	$F_{aA} / R_A \geq e$ $F_{aB} / R_B \geq e$	$F_{aA} / R_A > e$ $F_{aB} / R_B > e$	
P110	3050 (310)	1	0.35	0	0.57	1.14
P120	8950 (910)					
P130	13600 (1390)					

Table 9 Symbols in Table 7 & 8

P	Dynamic equivalent load (Either the larger one of dynamic equivalent load P _A or P _B , each influencing bearing A and B)	N (kgf)	Refer to Table 7 in page 81.
R _A , R _B	Support reaction applied to each bearing A and B calculated from equivalent external load F _{re} and F _{ae}	N (kgf)	-
X	Radial load factor	-	Refer to Table 8 below.
Y	Axial load factor		
Y ₂	Axial load factor Y ₂ = 0.57 when Fa* / R* > e		
F _{aA} , F _{aB}	Axial load exerted on each of bearing A and B	N (kgf)	-

Lifetime L_{10h}

$$L_{10h} = \frac{10^6}{60 \cdot N e_0} \left(\frac{C}{C_f \cdot F_s \cdot P} \right)^3 \dots (5)$$

Table 10 Coupling Factor Cf

Coupling Method	Cf
Chain	1.00
Gears	1.25
V-Belt	1.50

Table 11 Shock Factor Fs

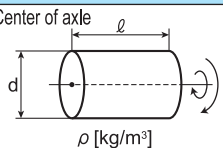
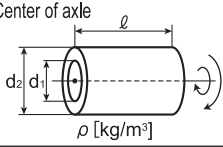
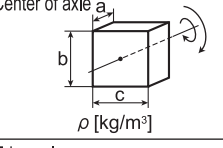
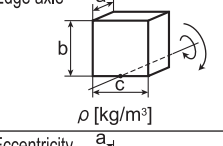
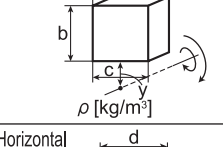
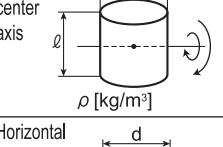
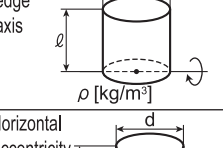
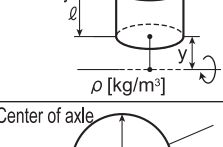
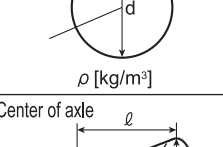
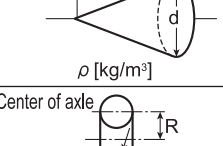
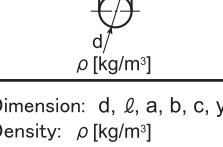
Degree of shock	Fs
Practically no shock	1.0
Light shock	1.0-1.2
Severe shock	1.4-1.6

Table 12 Symbols in Formula (5)

Ne ₀	Equivalent output speed	r/min	Refer to formula (4).
P	Dynamic equivalent load	N (kgf)	Refer to Table 4.
C	Dynamic rated load	N (kgf)	Refer to Table 5.
C _f	Connected load	-	Refer to Table 7.
F _s	Shock factor	-	Refer to Table 8.

Formula for Calculation of Moment of Inertia and GD^2

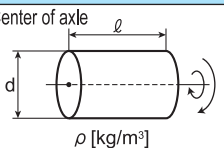
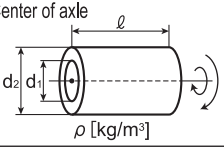
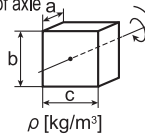
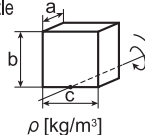
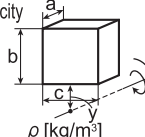
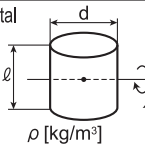
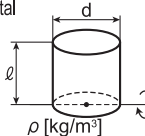
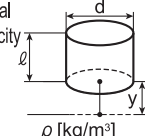
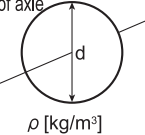
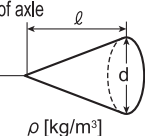
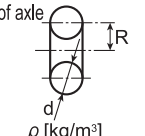
● Formula to Calculate Moment of Inertia and GD^2

Location of rotation	Shape	Mass M [kg]	Moment of Inertia J [kgm ²]	GD^2 GD^2 [kgf·m ²]
 <p>Center of axle</p> <p>ρ [kg/m³]</p>	Cylinder	$\frac{1}{4} \cdot \pi \cdot d^2 \cdot l \cdot \rho$	$\frac{1}{32} \cdot \pi \cdot d^4 \cdot l \cdot \rho$	$\frac{1}{8} \cdot \pi \cdot d^4 \cdot l \cdot \rho$
 <p>Center of axle</p> <p>ρ [kg/m³]</p>	Cylinder hollow	$\frac{1}{4} \cdot \pi \cdot (d_1^2 - d_2^2) \cdot l \cdot \rho$	$\frac{1}{32} \cdot \pi \cdot (d_1^4 - d_2^4) \cdot l \cdot \rho$	$\frac{1}{8} \cdot \pi \cdot (d_1^4 - d_2^4) \cdot l \cdot \rho$
 <p>Center of axle</p> <p>ρ [kg/m³]</p>	Rectangular solid	$a \cdot b \cdot c \cdot \rho$	$\frac{a \cdot b \cdot c}{12} \cdot (b^2 + c^2) \cdot \rho$	$\frac{a \cdot b \cdot c}{3} \cdot (b^2 + c^2) \cdot \rho$
 <p>Edge axle</p> <p>ρ [kg/m³]</p>	Rectangular solid	$a \cdot b \cdot c \cdot \rho$	$\frac{a \cdot b \cdot c}{12} \cdot (4b^2 + c^2) \cdot \rho$	$\frac{a \cdot b \cdot c}{3} \cdot (4b^2 + c^2) \cdot \rho$
 <p>Eccentricity</p> <p>ρ [kg/m³]</p>	Rectangular solid	$a \cdot b \cdot c \cdot \rho$	$\frac{a \cdot b \cdot c}{12} \cdot (4b^2 + c^2 + 12b \cdot y + 12y^2) \cdot \rho$	$\frac{a \cdot b \cdot c}{3} \cdot (4b^2 + c^2 + 12b \cdot y + 12y^2) \cdot \rho$
 <p>Horizontal center axis</p> <p>ρ [kg/m³]</p>	Cylinder	$\frac{1}{4} \cdot \pi \cdot d^2 \cdot l \cdot \rho$	$\frac{\pi \cdot d^2 \cdot l}{192} \cdot (4l + 3d^2) \cdot \rho$	$\frac{\pi \cdot d^2 \cdot l}{48} \cdot (4l + 3d^2) \cdot \rho$
 <p>Horizontal edge axis</p> <p>ρ [kg/m³]</p>	Cylinder	$\frac{1}{4} \cdot \pi \cdot d^2 \cdot l \cdot \rho$	$\frac{\pi \cdot d^2 \cdot l}{192} \cdot (16l + 3d^2) \cdot \rho$	$\frac{\pi \cdot d^2 \cdot l}{48} \cdot (16l + 3d^2) \cdot \rho$
 <p>Horizontal Eccentricity</p> <p>ρ [kg/m³]</p>	Cylinder	$\frac{1}{4} \cdot \pi \cdot d^2 \cdot l \cdot \rho$	$\frac{\pi \cdot d^2 \cdot l}{192} \cdot (16l^2 + 3d^2 + 48y \cdot l + 48y^2) \cdot \rho$	$\frac{\pi \cdot d^2 \cdot l}{48} \cdot (16l^2 + 3d^2 + 48y \cdot l + 48y^2) \cdot \rho$
 <p>Center of axle</p> <p>ρ [kg/m³]</p>	Sphere	$\frac{1}{6} \cdot \pi \cdot d^3 \cdot \rho$	$\frac{1}{60} \cdot \pi \cdot d^5 \cdot \rho$	$\frac{1}{15} \cdot \pi \cdot d^5 \cdot \rho$
 <p>Center of axle</p> <p>ρ [kg/m³]</p>	Cone	$\frac{1}{12} \cdot \pi \cdot d^2 \cdot l \cdot \rho$	$\frac{1}{160} \cdot \pi \cdot d^4 \cdot l \cdot \rho$	$\frac{1}{40} \cdot \pi \cdot d^4 \cdot l \cdot \rho$
 <p>Center of axle</p> <p>ρ [kg/m³]</p>	Torus	$\frac{1}{2} \cdot \pi^2 \cdot R \cdot d^2 \cdot \rho$	$\frac{\pi^2 \cdot R \cdot d^2}{8} \cdot (4R^2 + \frac{3d^2}{4}) \cdot \rho$	$\frac{\pi^2 \cdot R \cdot d^2}{2} \cdot (4R^2 + \frac{3d^2}{4}) \cdot \rho$

Dimension: d, l, a, b, c, y, R [m]
Density: ρ [kg/m³]

Formula for Calculation of Moment of Inertia, Load Torque, and Acceleration Torque

● Formula to Calculate Moment of Inertia and GD^2

Location of rotation	Shape	Mass M [kg]	Moment of Inertia J [kgm ²]	GD^2 GD^2 [kgf·m ²]
 <p>Center of axle</p>	Cylinder	$\frac{1}{4} \cdot \pi \cdot d^2 \cdot l \cdot \rho$	$\frac{1}{32} \cdot \pi \cdot d^4 \cdot l \cdot \rho$	$\frac{1}{8} \cdot \pi \cdot d^4 \cdot l \cdot \rho$
 <p>Center of axle</p>	Cylinder hollow	$\frac{1}{4} \cdot \pi \cdot (d_1^2 - d_2^2) \cdot l \cdot \rho$	$\frac{1}{32} \cdot \pi \cdot (d_1^4 - d_2^4) \cdot l \cdot \rho$	$\frac{1}{8} \cdot \pi \cdot (d_1^4 - d_2^4) \cdot l \cdot \rho$
 <p>Center of axle</p>	Rectangular solid	$a \cdot b \cdot c \cdot \rho$	$\frac{a \cdot b \cdot c}{12} \cdot (b^2 + c^2) \cdot \rho$	$\frac{a \cdot b \cdot c}{3} \cdot (b^2 + c^2) \cdot \rho$
 <p>Edge axle</p>	Rectangular solid	$a \cdot b \cdot c \cdot \rho$	$\frac{a \cdot b \cdot c}{12} \cdot (4b^2 + c^2) \cdot \rho$	$\frac{a \cdot b \cdot c}{3} \cdot (4b^2 + c^2) \cdot \rho$
 <p>Eccentricity</p>	Rectangular solid	$a \cdot b \cdot c \cdot \rho$	$\frac{a \cdot b \cdot c}{12} \cdot (4b^2 + c^2 + 12b \cdot y + 12y^2) \cdot \rho$	$\frac{a \cdot b \cdot c}{3} \cdot (4b^2 + c^2 + 12b \cdot y + 12y^2) \cdot \rho$
 <p>Horizontal center axis</p>	Cylinder	$\frac{1}{4} \cdot \pi \cdot d^2 \cdot l \cdot \rho$	$\frac{\pi \cdot d^2 \cdot l}{192} \cdot (4l + 3d^2) \cdot \rho$	$\frac{\pi \cdot d^2 \cdot l}{48} \cdot (4l + 3d^2) \cdot \rho$
 <p>Horizontal edge axis</p>	Cylinder	$\frac{1}{4} \cdot \pi \cdot d^2 \cdot l \cdot \rho$	$\frac{\pi \cdot d^2 \cdot l}{192} \cdot (16l + 3d^2) \cdot \rho$	$\frac{\pi \cdot d^2 \cdot l}{48} \cdot (16l + 3d^2) \cdot \rho$
 <p>Horizontal Eccentricity</p>	Cylinder	$\frac{1}{4} \cdot \pi \cdot d^2 \cdot l \cdot \rho$	$\frac{\pi \cdot d^2 \cdot l}{192} \cdot (16l^2 + 3d^2 + 48y \cdot l + 48y^2) \cdot \rho$	$\frac{\pi \cdot d^2 \cdot l}{48} \cdot (16l^2 + 3d^2 + 48y \cdot l + 48y^2) \cdot \rho$
 <p>Center of axle</p>	Sphere	$\frac{1}{6} \cdot \pi \cdot d^2 \cdot \rho$	$\frac{1}{60} \cdot \pi \cdot d^5 \cdot \rho$	$\frac{1}{15} \cdot \pi \cdot d^5 \cdot \rho$
 <p>Center of axle</p>	Cone	$\frac{1}{12} \cdot \pi \cdot d^2 \cdot l \cdot \rho$	$\frac{1}{160} \cdot \pi \cdot d^4 \cdot l \cdot \rho$	$\frac{1}{40} \cdot \pi \cdot d^4 \cdot l \cdot \rho$
 <p>Center of axle</p>	Torus	$\frac{1}{2} \cdot \pi^2 \cdot R \cdot d^2 \cdot \rho$	$\frac{\pi^2 \cdot R \cdot d^2}{8} \cdot (4R^2 + \frac{3d^2}{4}) \cdot \rho$	$\frac{\pi^2 \cdot R \cdot d^2}{2} \cdot (4R^2 + \frac{3d^2}{4}) \cdot \rho$

Dimension: d, l, a, b, c, y, R [m]
Density: ρ [kg/m³]

Moment of Inertia (at Motor Shaft)

Table 13

Unit: $\times 10^{-4} \text{kg}\cdot\text{m}^2$

P1 Type

Frame size	Input shaft hollow [mm]	Motor flange code	Reduction ratio									
			3.7		5		9		11		15	
			Solid shaft	Flange shaft	Solid shaft	Flange shaft	Solid shaft	Flange shaft	Solid shaft	Flange shaft	Solid shaft	Flange shaft
P110	6	7J	0.142	0.141	0.116	0.116	0.098	0.097	0.140	0.140	0.137	0.137
	8	2C, 2D, 2E, 2F, 2G	0.142	0.140	0.116	0.115	0.098	0.097	0.140	0.140	0.137	0.137
	9	2H	0.212	0.211	0.183	0.186	0.168	0.168	0.211	0.211	0.208	0.208
	10	2J	0.211	0.210	0.186	0.185	0.167	0.167				
	11	2K, 2L, 8A	0.210	0.208	0.184	0.184	0.166	0.165	0.209	0.209	0.206	0.206
	14	2P, 2R, 8B, 2T, 2V	0.202	0.201	0.177	0.176	0.158	0.158	0.202	0.202	0.199	0.199
	16	7P, 8E, 7A, 7R	0.422	0.421	0.394	0.396	0.378	0.378				
P120	8	2C, 2D, 2E, 2F, 2G										
	9	2H										
	10	2J					0.506	0.485	0.513	0.512	0.491	0.490
	11	2K, 2L, 8A										
	14	2P, 2R, 8B, 2T, 2V, 0V	0.849	0.831	0.653	0.640	0.504	0.483	0.505	0.503	0.483	0.482
	16	7A, 7P, 8E, 7R, 0U	0.985	0.975	0.789	0.783	0.647	0.645	0.618	0.617	0.596	0.595
	19	7S, 1G, 7X, 7B, 7V	0.962	0.951	0.766	0.760	0.624	0.622	0.599	0.597	0.577	0.576
P130	22	1S, 0Y, 0W	1.679	1.668	1.483	1.477	1.341	1.339	1.338	1.337	1.316	1.315
	24	7Y, 7Z, 1L	1.657	1.646	1.460	1.455	1.318	1.317	1.315	1.314	1.293	1.293
	9	2H										
	10	2J										
	11	2K, 2L, 8A										
	14	2P, 2R, 8B, 2T, 2V, 0V										
	16	7A, 7P, 8E, 7R, 0U										
	19	7S, 1G, 7X, 7B, 7V					1.820	1.797	1.920	1.905	1.822	1.814
P130	22	1S, 0Y, 0W	3.750	3.611	2.866	2.792	2.211	2.188	2.285	2.269	2.186	2.178
	24	1L, 7Y, 7Z	3.707	3.568	2.823	2.749	2.168	2.145	2.250	2.234	2.152	2.143
	28	1T, 1W, 1X, 0E, 0K	3.827	3.688	2.943	2.869	2.288	2.265				
	35	1Z, 0M, 0X	6.901	6.763	6.018	5.943	5.363	5.159				

Frame size	Input shaft hollow [mm]	Motor flange code	Reduction ratio							
			21		33		45		81	
			Solid shaft	Flange shaft	Solid shaft	Flange shaft	Solid shaft	Flange shaft	Solid shaft	Flange shaft
P110	6	7J	0.107	0.107	0.092	0.092	0.092	0.092	0.092	0.092
	8	2C, 2D, 2E, 2F, 2G	0.107	0.107	0.092	0.092	0.092	0.092	0.092	0.092
	9	2H	0.178	0.178	0.160	0.160	0.160	0.160		
	10	2J								
	11	2K, 2L, 8A	0.176	0.176	0.157	0.157				
	14	2P, 2R, 8B, 2T, 2V	0.169	0.169						
	16	7P, 8E, 7A, 7R								
P120	8	2C, 2D, 2E, 2F, 2G							0.352	0.352
	9	2H	0.440	0.440			0.410	0.410	0.408	0.408
	10	2J	0.441	0.440						
	11	2K, 2L, 8A					0.407	0.407	0.406	0.406
	14	2P, 2R, 8B, 2T, 2V, 0V	0.432	0.432	0.403	0.403	0.401	0.401		
	16	7A, 7P, 8E, 7R, 0U	0.546	0.546						
	19	7S, 1G, 7X, 7B, 7V	0.527	0.526						
P130	22	1S, 0Y, 0W								
	24	7Y, 7Z, 1L	1.243	1.243						
	9	2H							1.265	1.265
	10	2J			1.284	1.282	1.273	1.272		
	11	2K, 2L, 8A							1.265	1.264
	14	2P, 2R, 8B, 2T, 2V, 0V			1.282	1.280	1.271	1.270	1.263	1.262
	16	7A, 7P, 8E, 7R, 0U	1.555	1.551	1.404	1.402	1.393	1.392		
	19	7S, 1G, 7X, 7B, 7V	1.533	1.529	1.381	1.380	1.370	1.370		
P130	22	1S, 0Y, 0W	1.897	1.893						
	24	1L, 7Y, 7Z	1.862	1.858	1.711	1.709	1.700	1.699		
	28	1T, 1W, 1X, 0E, 0K								
	35	1Z, 0M, 0X								

GD² (at Motor Shaft)

Table 14

Unit: x10⁻⁴kg·m²

Frame size	Input shaft hollow [mm]	Motor flange code	Reduction ratio									
			3.7		5		9		11		15	
			Solid shaft	Flange shaft	Solid shaft	Flange shaft	Solid shaft	Flange shaft	Solid shaft	Flange shaft	Solid shaft	Flange shaft
P110	6	7J	0.568	0.562	0.464	0.464	0.392	0.388	0.560	0.560	0.548	0.548
	8	2C, 2D, 2E, 2F, 2G	0.567	0.561	0.464	0.460	0.392	0.388	0.560	0.559	0.548	0.548
	9	2H	0.850	0.844	0.732	0.744	0.672	0.672	0.844	0.844	0.832	0.832
	10	2J	0.845	0.840	0.744	0.740	0.668	0.668				
	11	2K, 2L, 8A	0.839	0.834	0.736	0.736	0.664	0.660	0.835	0.834	0.824	0.824
	14	2P, 2R, 8B, 2T, 2V	0.809	0.803	0.708	0.704	0.632	0.632	0.807	0.807	0.796	0.796
	16	7P, 8E, 7A, 7R	1.689	1.684	1.576	1.584	1.512	1.512				
P120	8	2C, 2D, 2E, 2F, 2G										
	9	2H										
	10	2J					2.024	1.940	2.051	2.046	1.964	1.960
	11	2K, 2L, 8A										
	14	2P, 2R, 8B, 2T, 2V, 0V	3.397	3.325	2.612	2.560	2.016	1.932	2.018	2.013	1.932	1.928
	16	7A, 7P, 8E, 7R, 0U	3.942	3.899	3.156	3.132	2.588	2.580	2.472	2.467	2.384	2.380
	19	7S, 1G, 7X, 7B, 7V	3.848	3.805	3.064	3.040	2.496	2.488	2.395	2.390	2.308	2.304
	22	1S, 0Y, 0W	6.717	6.674	5.932	5.908	5.364	5.356	5.351	5.346	5.264	5.260
24	7Y, 7Z, 1L	6.627	6.584	5.840	5.820	5.272	5.268	5.261	5.256	5.172	5.172	
P130	9	2H										
	10	2J										
	11	2K, 2L, 8A,										
	14	2P, 2R, 8B, 2T, 2V, 0V										
	16	7A, 7P, 8E, 7R, 0U										
	19	7S, 1G, 7X, 7B, 7V					7.280	7.188	7.681	7.619	7.288	7.256
	22	1S, 0Y, 0W	14.999	14.445	11.464	11.168	8.844	8.752	9.138	9.077	8.744	8.712
	24	1L, 7Y, 7Z	14.827	14.273	11.292	10.996	8.672	8.580	8.999	8.937	8.608	8.572
	28	1T, 1W, 1X, 0E, 0K	15.306	14.752	11.772	11.476	9.152	9.060				
35	1Z, 0M, 0X	27.605	27.051	24.072	23.772	21.452	20.636					

Frame size	Input shaft hollow [mm]	Motor flange code	Reduction ratio							
			21		33		45		81	
			Solid shaft	Flange shaft	Solid shaft	Flange shaft	Solid shaft	Flange shaft	Solid shaft	Flange shaft
P110	6	7J	0.428	0.428	0.368	0.368	0.368	0.368	0.368	0.368
	8	2C, 2D, 2E, 2F, 2G	0.428	0.428	0.368	0.368	0.368	0.368	0.368	0.368
	9	2H	0.712	0.712	0.640	0.640	0.640	0.640		
	10	2J								
	11	2K, 2L, 8A	0.704	0.704	0.628	0.628				
	14	2P, 2R, 8B, 2T, 2V	0.676	0.676						
	16	7P, 8E, 7A, 7R								
P120	8	2C, 2D, 2E, 2F, 2G						1.408	1.408	
	9	2H	1.760	1.760			1.640	1.640	1.632	1.632
	10	2J	1.764	1.760						
	11	2K, 2L, 8A					1.628	1.628	1.624	1.624
	14	2P, 2R, 8B, 2T, 2V, 0V	1.728	1.728	1.612	1.612	1.604	1.604		
	16	7A, 7P, 8E, 7R, 0U	2.184	2.184						
	19	7S, 1G, 7X, 7B, 7V	2.108	2.104						
	24	7Y, 7Z, 1L	4.972	4.972						
P130	9	2H						5.060	5.060	
	10	2J			5.136	5.128	5.092	5.088		
	11	2K, 2L, 8A,						5.060	5.056	
	14	2P, 2R, 8B, 2T, 2V, 0V			5.128	5.120	5.084	5.080	5.052	5.048
	16	7A, 7P, 8E, 7R, 0U	6.220	6.204	5.616	5.608	5.572	5.568		
	19	7S, 1G, 7X, 7B, 7V	6.132	6.116	5.524	5.520	5.480	5.480		
	22	1S, 0Y, 0W	7.588	7.572						
	24	1L, 7Y, 7Z	7.448	7.432	6.844	6.836	6.800	6.796		
	28	1T, 1W, 1X, 0E, 0K								
35	1Z, 0M, 0X									

Mechanical Precision of Output Part of the Reducer

Mechanical precision of solid shaft (with and without key) and flange shaft is indicated below.

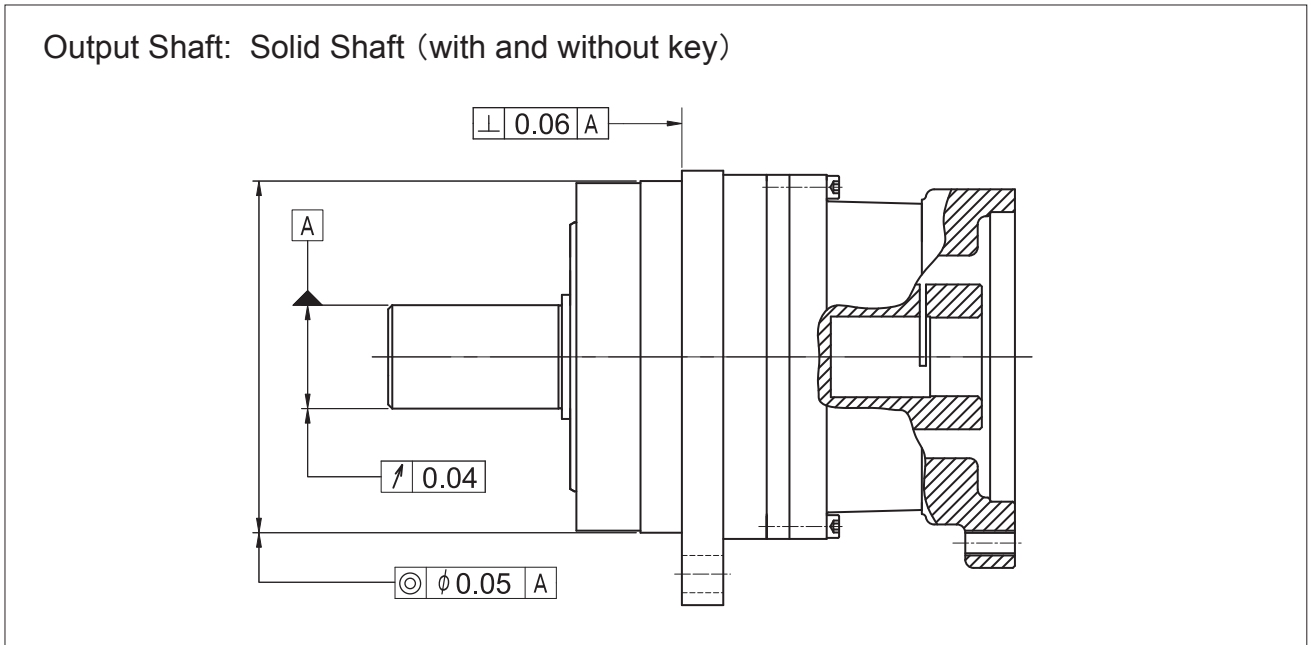


Fig. 7

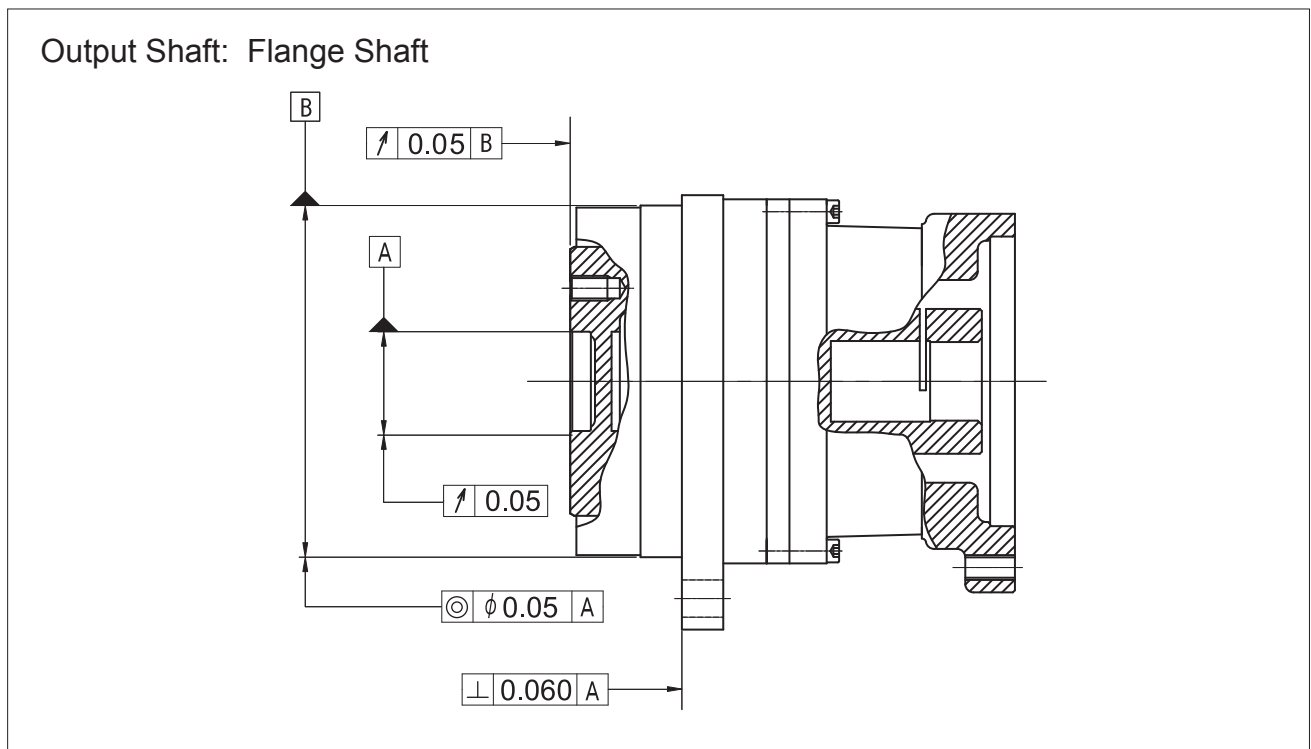


Fig. 8

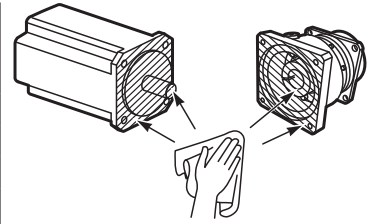
Motor Attachment Procedure

Either straight type, shaft with keyway, or D shaft may be attached to the motor shaft, because special coupling is used for shaft connection part of reducer and motor. Follow the process below from (1) through (7) for assembly. (Remove key while assembly for shaft with keyway.)

- (1) Place reducer on an appropriate worktable with output shaft on the bottom side.
- (2) Remove fitting of the setting hole (1 place) of the reducer unit (① in figure below).
- (3) Match the location by turning by hand to tighten tightening bolt of the coupling into setting hole of the reducer unit (② in figure below).
- (4) Insert motor shaft into the center hole of the coupling, press in vertically and fit the pilot part of the reducer unit and motor.
- (5) Tighten motor and reducer unit with motor attachment bolt (④ in figure below).
- (6) Tighten coupling tightening bolt through the setting hole of the side of the reducer unit using a torque wrench bolt (④ in figure below). Refer to Table 12 for necessary tightening torque.

Table 15

Coupling hole diameter	Tightening bolt	Tightening torque	Allowable transmission torque
mm		N·m	N·m
φ6	M3	1.67	9.18
φ8			7.93
φ9			22.0
φ10	M4	3.92	22.7
φ11			24.9
φ14			26.4
φ16	M5	7.35	49.6
φ19			52.9
φ22	M6	8.83	61.8
φ24			66.2
φ28			78.3
φ35	M8	21.6	99.2



Make sure that the selected unit can allow maximum emergency torque (peak torque at start and stop) in your operation cycle.

$$\frac{\text{Maximum emergency torque (Peak torque at start or stop)}}{\text{Reduction ratio}} \leq \text{Allowable transmission torque}$$

- (7) Insert fitting (1 place) in the setting hole of the joint cover.

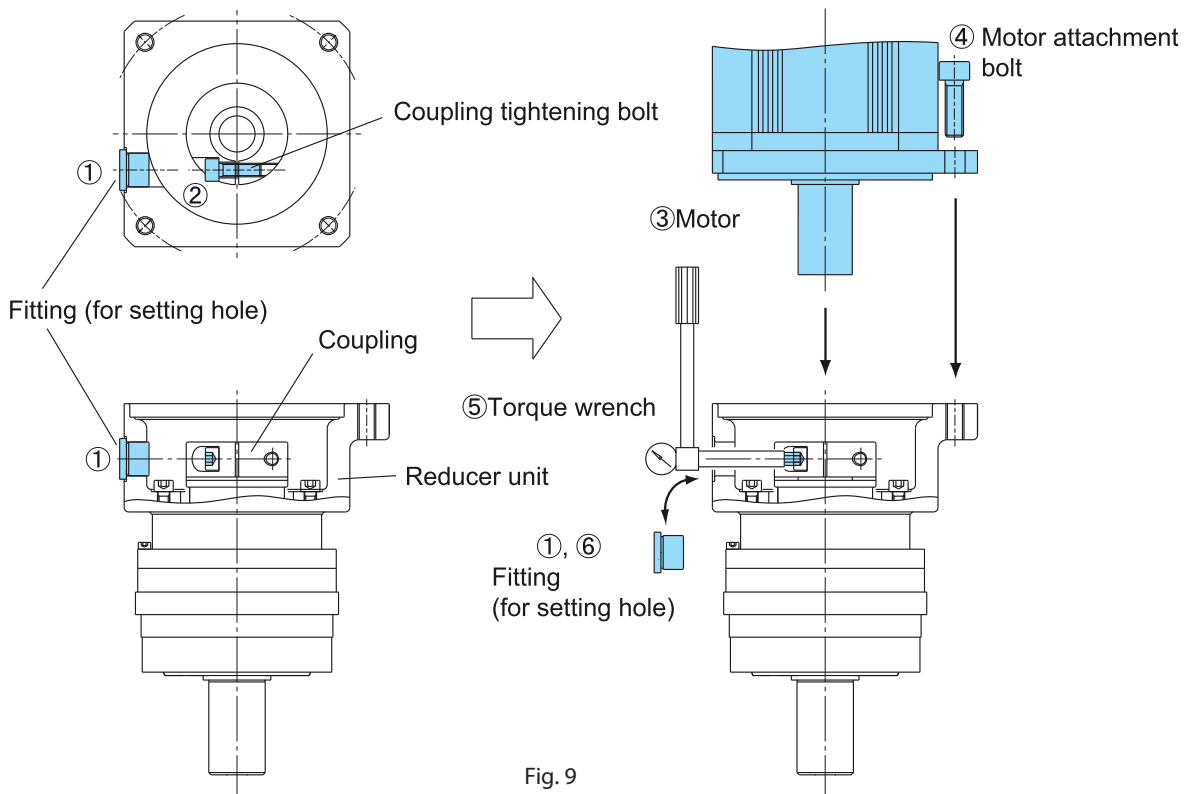
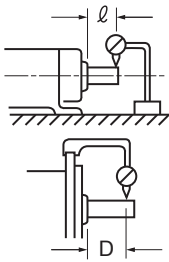
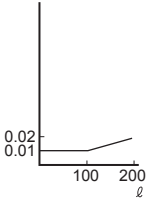
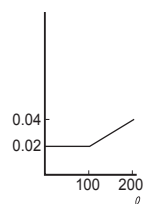
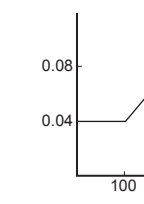
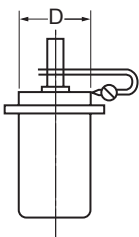
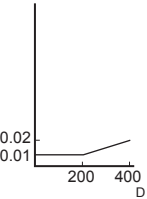
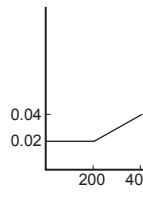
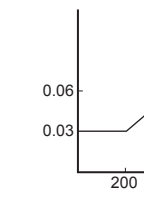
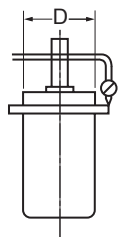
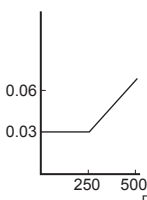
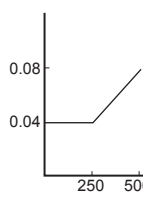
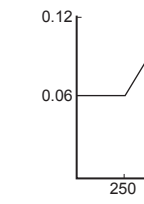


Fig. 9

Table 16

Type	Measuring item	Measuring method	Sketch of measurement	Measuring Instrument	Work accuracy		
					Grade AA	Grade A	Grade B
Flange type	Run-out of shaft end	Secure the dial gauge on the floor or flange surface. Place the probe of the dial gauge on the circumference close to the shaft end. Turn the shaft once. Difference between the observed maximum and minimum values is the measured value.		Dial gauge	Work accuracy = 0.01 when $l \leq 100$ As below when $l > 100$ 	Work accuracy = 0.02 when $l \leq 100$ As below when $l > 100$ 	Work accuracy = 0.04 when $l \leq 100$ As below when $l > 100$ 
	Eccentricity of flange engagement O.D.	Secure the dial gauge on the shaft close to the flange surface. Place the probe of the dial gauge on the circumference of flange connection. Turn the shaft once. Half of the difference between the observed maximum and minimum values is the measured value.		Dial gauge	Work accuracy = 0.01 when $D \leq 200$ As below when $D > 200$ 	Work accuracy = 0.02 when $D \leq 200$ As below when $D > 200$ 	Work accuracy = 0.03 when $D \leq 200$ As below when $D > 200$ 
Flange type	Perpendicularity with respect to flange surface	Secure the dial gauge on the shaft close to the flange surface. Place the probe of the dial gauge on the flange surface close to flange circumference. Turn the shaft once. The difference between the observed maximum and minimum values is the measured value.		Dial gauge	Work accuracy = 0.03 when $D \leq 250$ As below when $D > 250$ 	Work accuracy = 0.04 when $D \leq 250$ As below when $D > 250$ 	Work accuracy = 0.06 when $D \leq 250$ As below when $D > 250$ 

P1 Type

Warranty

<p>Warranty Period</p>	<p>The warranty period for the Products shall be 18 months after the commencement of delivery or 18 months after the shipment of the Products from the seller's works or 12 months from the Products coming into operation, whichever comes first.</p>
<p>Warranty Condition</p>	<p>In the event that any problem or damage to the Product arises during the "Warranty Period" from defects in the Product whenever the Product is properly installed and combined with the Buyer's equipment or machines, maintained as specified in the maintenance manual, and properly operated under the conditions described in the catalog or as otherwise agree upon in writing between the Seller and the Buyer or its customers; the Seller will provide, at its sole discretion, appropriate repair or replacement of the Product without charge at a designated facility, except as stipulated in the "Warranty Exclusions" as described below. However, if the Product is installed or integrated into the Buyer's equipment or machines, the Seller shall not reimburse the cost of: removal or re-installation of the Product or other incidental costs related thereto, any lost opportunity, any profit loss or other incidental or consequential losses or damages incurred by the Buyer or its customers.</p>
<p>Warranty Exclusions</p>	<p>Notwithstanding the above warranty, the warranty as set forth herein shall not apply to any problem or damage to the Product that is caused by:</p> <ol style="list-style-type: none"> 1. installation, connection, combination or integration of the Product in or to the other equipment or machine that is rendered by any person or entity other than the Seller; 2. insufficient maintenance or improper operation by the Buyer or its customers, such that the Product is not maintained in accordance with the maintenance manual provided or designated by the Seller; 3. improper use or operation of the Product by the Buyer or its customers that is not informed to the Seller, including, without limitation, the Buyer's or its customers, operation of the Product not in conformity with the specifications, or use of lubricating oil in the Product that is not recommended by the Seller; 4. any problem or damage on any equipment or machine to which the Product is installed, connected or combined or on any specifications particular to the Buyer or its customers; 5. any changes, modifications, improvements or alterations to the Product or those functions that are rendered on the Product by any person or entity other than the Seller; 6. any parts in the Product that are supplied or designated by the Buyer or its customers; 7. earthquake, fire, flood, sea-breeze, gas, thunder, acts of God or any other reasons beyond the control of the Seller; 8. normal wear and tear, or deterioration of the Products, parts, such as bearings, oil-seals; 9. any other troubles, problems or damage to the Product that are not attributable to the Seller.



SAFETY PRECAUTIONS

- Observe the safety rules for the installation site and equipment strictly (Industrial safety and health law, technical standard for electric facilities, extension rules, plant explosion guidelines, building standards law, etc).
- Read the maintenance manual carefully before use. Request a copy from the distributor of the Product or our Sales Department if the maintenance manual is not handy. A copy of maintenance manual should always reach the actual user of the Product.
- Select a sufficient product for the usage condition and application.
- Install protective equipment on the machine side when the machine is used for applications which may cause loss of human life or significant loss in facility, such as use for human transportation or elevators.
- Install an oil pan or other preventive devices in case of oil leakage due to failure or termination of service life when the machine is used for food processing equipment, clean room, or other applications that are sensitive to oil.

MEMO

Worldwide locations

World Headquarters

JAPAN

Sumitomo Heavy Industries Ltd.
PTC Group
Think Park Tower, 1-1,
Osaki 2-chome,
Shinagawa-ku, Tokyo 141-6025
www.cyclo.shi.co.jp

Headquarters & Manufacturing EUROPE

Germany

Sumitomo (SHI) Cyclo Drive Germany GmbH
European Headquarters
Cyclostraße 92
85229 Markt Indersdorf
Germany
Tel. +49 (0) 81 36 66-0
Fax +49 (0) 81 36 57 71
E-Mail: marktind@sce-cyclo.com
www.sumitomodriveseurope.com

Subsidiaries & Sales Offices in Europe

Austria

Sales Office Austria
Gruentalerstraße 30 A
4020 Linz
Austria
Tel. +43 (0) 732 33 09 58
Fax +43 (0) 732 33 19 78

Benelux

Sales Office Benelux
Heikneuterlaan 23
3010 Kessel-Lo/ Leuven
Belgium
Tel. +32 (0) 16 60 83 11
Fax +32 (0) 16 57 16 39

France

SM-Cyclo France S.A.R.L.
8 Avenue Christian Doppler
Arlington Techniparc
77700 Serris
France
Tél. +33 (1) 64 17 17 17
Fax +33 (1) 64 17 17 18

Italy

SM-Cyclo Italy S.R.L.
Via dell'Artigianato 23
20010 Cornaredo (MI)
Italy
Tel. +39 (0) 2 93 56 21 21
Fax +39 (0) 2 93 56 98 93

Headquarters & Manufacturing USA

Sumitomo Drive Technologies
Sumitomo Machinery Corp. of America
4200 Holland Boulevard
Chesapeake, VA 23323
Tel. +1 (757) 4 85 33 55
Fax +1 (757) 4 87 31 93
www.smcyclo.com

Spain

SM-Cyclo Iberia
Edificio Gobelas
C/Landabbarri no. 4
Escalera 1 – 2.º Izqda
48940 Leioa, Vizcaya
Spain
Tel. +34 (0) 94 48 05 38 9
Fax +34 (0) 94 48 01 55 0

Sweden

SM-Cyclo Scandinavia AB
Ridbanegatan 4
21377 Malmö
Sweden
Tel. +46 (0) 40 22 00 30
Fax +46 (0) 40 22 00 35

United Kingdom

SM-Cyclo UK, Ltd.
Unit 29, Bergen Way,
Sutton Fields Industrial Estate
Kingston upon Hull
HU7 0YQ, East Yorkshire
United Kingdom
Tel. +44 (0) 14 82 79 03 40
Fax +44 (0) 14 82 79 03 21