

Data Sheet

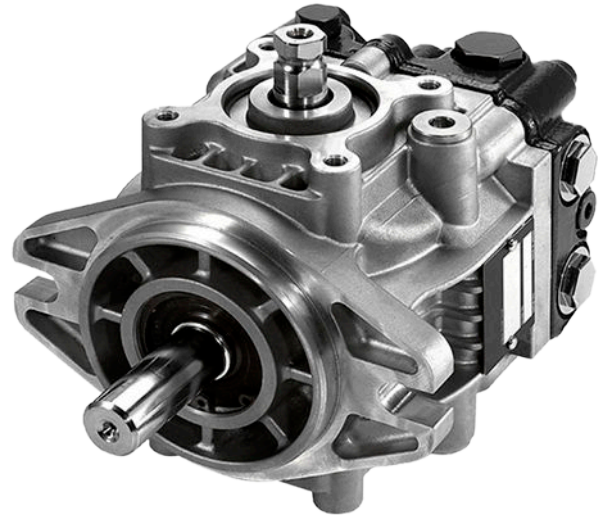
DDC Axial Piston Pumps

20/24 cm³

For more than 40 years, Danfoss has been developing state-of-the-art components and systems for mobile machinery used in off-highway operations around the world. We have become a preferred supplier by offering the best of what really matters: The hardware inside your vehicle application.

The DDC pump uses proven technology which enables it to operate reliably in light duty applications. Its design includes many optional features which provides for a large degree of application flexibility. Its compact size helps the DDC pump fit in tight places and allows for a more simplified hydraulic circuit design. The DDC pump is a high quality light duty pump which offers expanded functionality, great total efficiency, low noise, and easy installation.

The DDC pump is well suited for turf care applications, compact utility tractors, harvesters, small rollers, and agricultural vehicles.



Features

- Designed for Durability and Flexibility
 - Compact and light weight aluminum housing
 - Single piece swash plate
- Installation and Packaging Benefits
 - Compact design minimizes installation space requirements
 - High corner power
 - Integrated loop flushing valve
- Optimized for Direct Displacement Control
- Options
 - Loop flushing valve
 - Gerotor charge pump
 - Loop bypass valve
 - High Pressure Relief Valve (HPRV) and Charge Pressure Relief Valve (CPRV)
 - Auxiliary pad

Comprehensive technical literature is online at www.danfoss.com

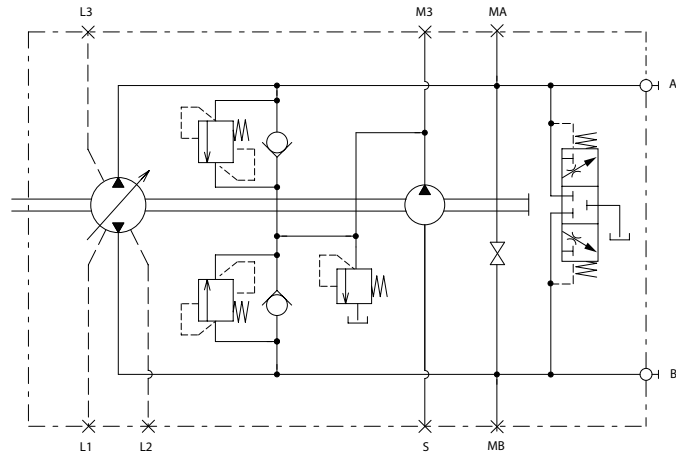
Technical specifications

Features		Unit	Value	
Displacement		cm ³ [in ³]	20 [1.22]	24 [1.46]
Weight (with charge pump)		kg [lb]	10 [22.1]	
Input speed	Minimum*	min ⁻¹	500	
	Rated	(rpm)	4000	
	Maximum		4500	
System pressure	Max. working pressure**	bar [psi]	300 [4350]	
	Max. pressure		345 [5004]	
	Min. low loop		4 [58]	
Case pressure	Rated	bar [psi]	1.5 [21.7]	
	Maximum		3 [43.5]	

* No load condition.

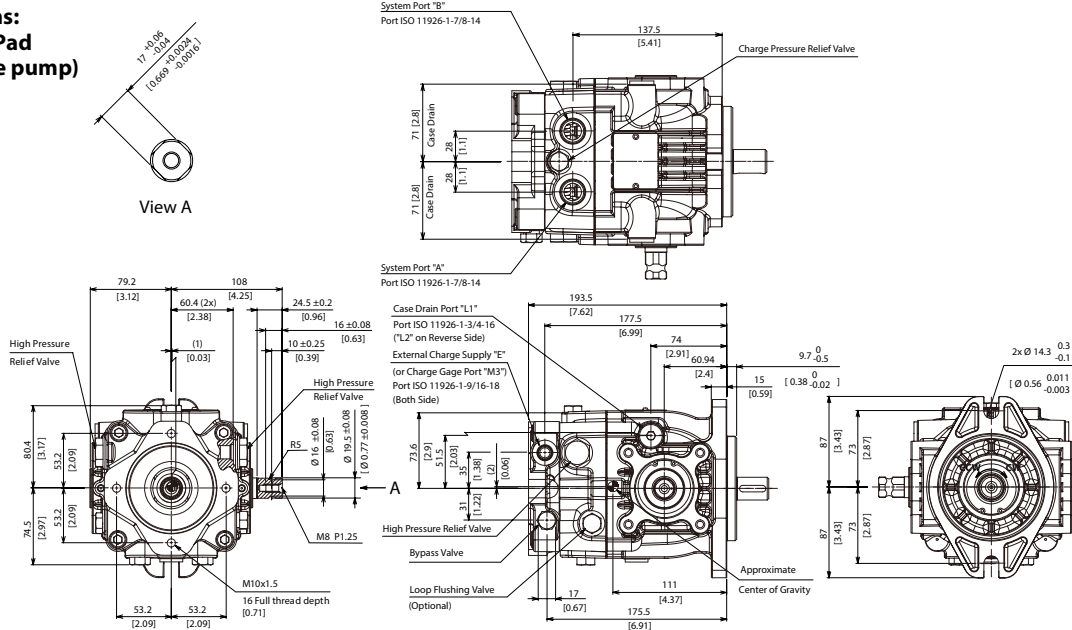
** Applied pressures above max. working pressure require Danfoss approval.

Schematic

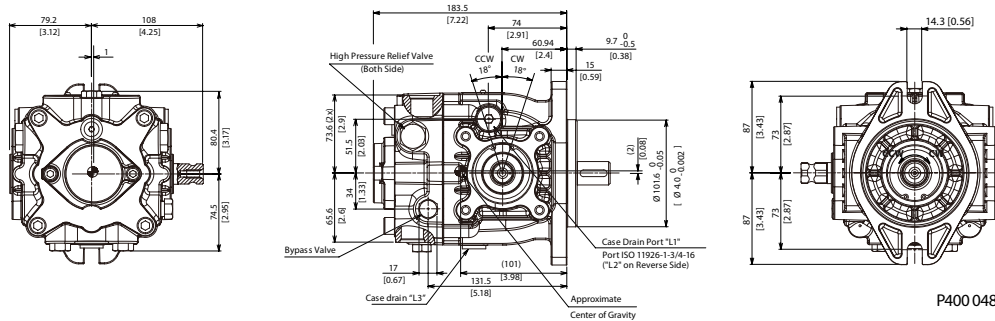


P400 047

**Dimensions:
With Aux-Pad
(No Charge pump)**



With Charge pump (No Aux-Pad)



P400 048

Danfoss can accept no responsibility for possible errors in catalogues, brochures and other printed material. Danfoss reserves the right to alter its products without notice. This also applies to products already on order provided that such alterations can be made without subsequent changes being necessary in specifications already agreed. All trademarks in this material are property of the respective companies. Danfoss and the Danfoss logotype are trademarks of Danfoss A/S. All rights reserved.