

Data Sheet

H1 Bent Axis Fixed Displacement Motor

Size 080 cm³

For more than 40 years, Danfoss has been developing state-of-the-art components and systems for mobile machinery used in off-highway operations around the world.

We have become a preferred supplier by offering the best of what really matters: The hardware inside your vehicle application.

Our portfolio has been expanded to a new product line: Fixed bent axis motors.

Using the proven rotating groups from H1B products, the H1F fixed bent axis motor delivers a compact unit design with high starting torque, high reliability, and best-in-class rotating efficiency.

H1F fixed bent axis motors have been developed specifically to be used in open and closed circuit applications. They are also compatible with Danfoss Open Circuit (OC) valves.



Features

Designed for quality and reliability

- Proven and optimized 9 piston rotating group
- Single piece housing
- Optional speed sensor with IP67 & IP69K rating and standardized connector interface
- Open or closed circuit operation

Installation and packaging benefits

- Optimized for shortest length
- Radial, axial, or twin high pressure ports
- Optional integrated loop flushing device

Greater total efficiency

- Fuel savings
- Improved productivity
- Reduced heat generation

Optimized for OC valves

- Pressure ports interface for optimal connection to valves
- Optional bolt-on blocks may be supplied with H1F
 - Counterbalance Valve
 - Load Holding Valve (coming soon)

Expanded functionality

- High performance at 32 degree angle
- Optional integrated speed sensor with
 - Dual speed signal outputs
 - Direction sensing
 - Temperature output
 - Wire fault detection

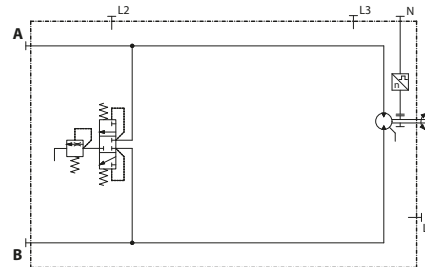
Comprehensive technical literature is online at www.danfoss.com

Technical specifications

Weight	SAE ISO 3019/1	21.0 - 22.1 kg [46.3 - 48.7 lb]
	DIN ISO 3019/2	21.8 - 22.9kg [48.0 - 50.5 lb]
	Cartridge	22.1 - 23.3 kg [48.7 - 51.4 lb]
Speed	Rated	4500 min ⁻¹ (rpm)
	Max	5000 min ⁻¹ (rpm)
System pressure	Working (delta)	450 bar [6527 psi]
	Working (abs.)	480 bar [6962 psi]
	Maximum (delta)	480 bar [6962 psi]
	Maximum (abs.)	510 bar [7397 psi]
	Min. low loop (abs.)	7.5 bar [109 psi]
Case pressure	Rated	3 bar [44 psi]
	Max.	5 bar [73 psi]
	Min.	0.3 bar [4 psi]

Schematic

H1F with loop flushing device

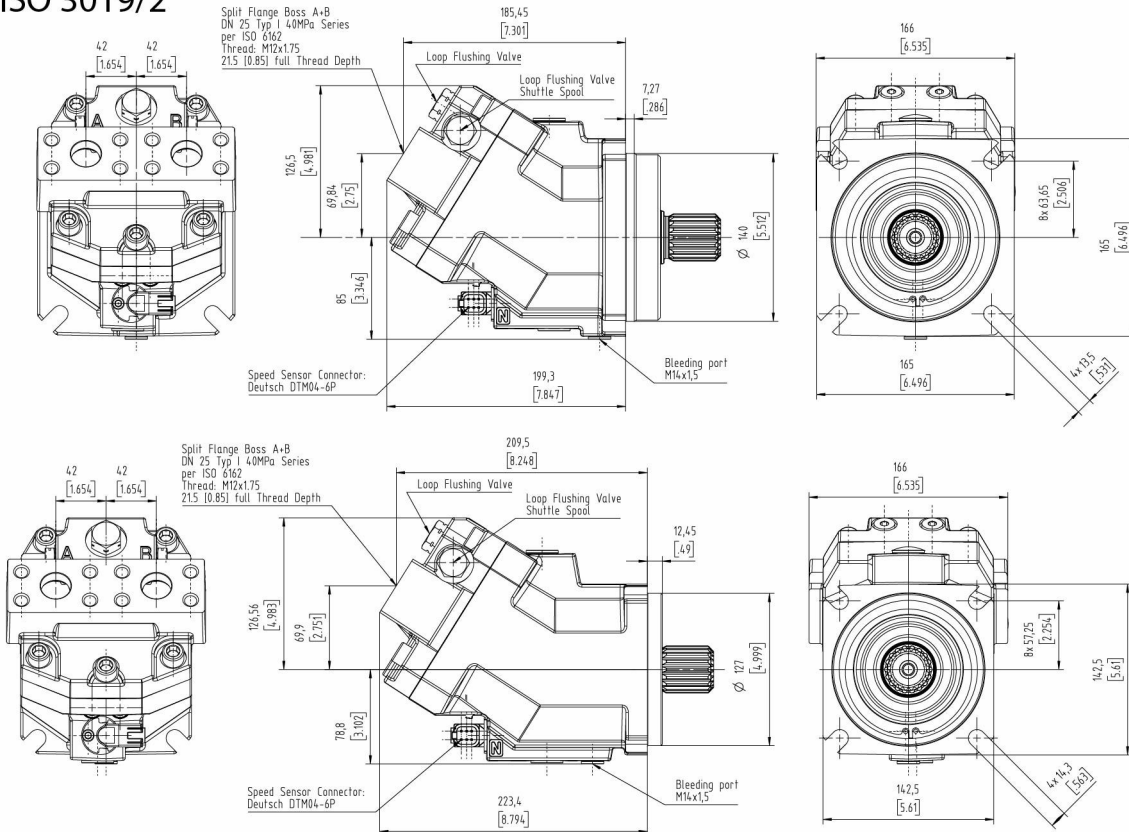


BIBUS®
SUPPORTING YOUR SUCCESS

BIBUS SK, s.r.o
Trnavská 31, SK-94 901 Nitra

Tel.: 037/ 7777 911 Email: sale@bibus.sk
Fax.: 037/ 7777 999 http://www.bibus.sk

DIN ISO 3019/2



SAE ISO 3019/1

Danfoss can accept no responsibility for possible errors in catalogues, brochures and other printed material. Danfoss reserves the right to alter its products without notice. This also applies to products already on order provided that such alterations can be made without subsequent changes being necessary in specifications already agreed. All trademarks in this material are property of the respective companies. Danfoss and the Danfoss logotype are trademarks of Danfoss A/S. All rights reserved.